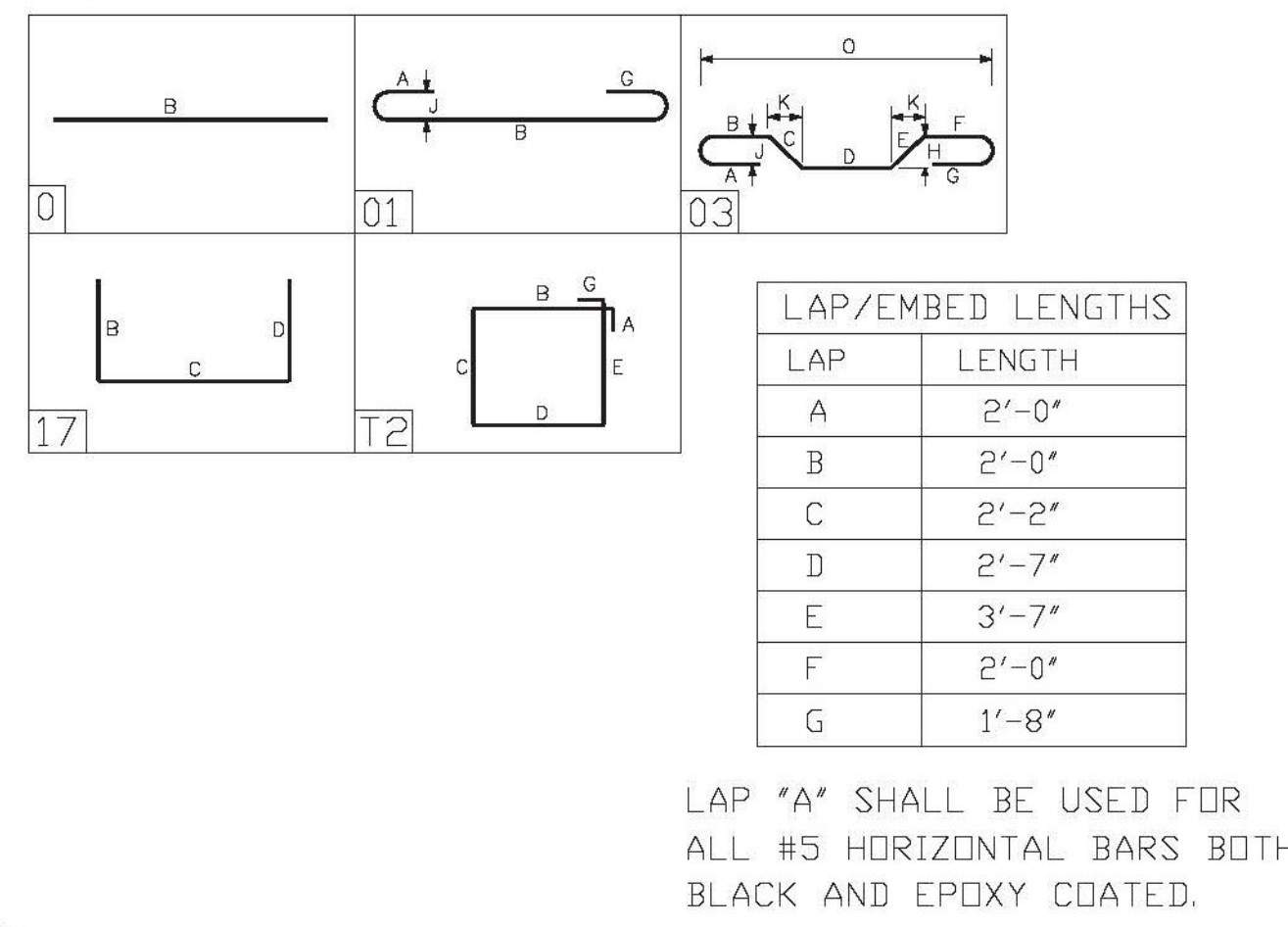
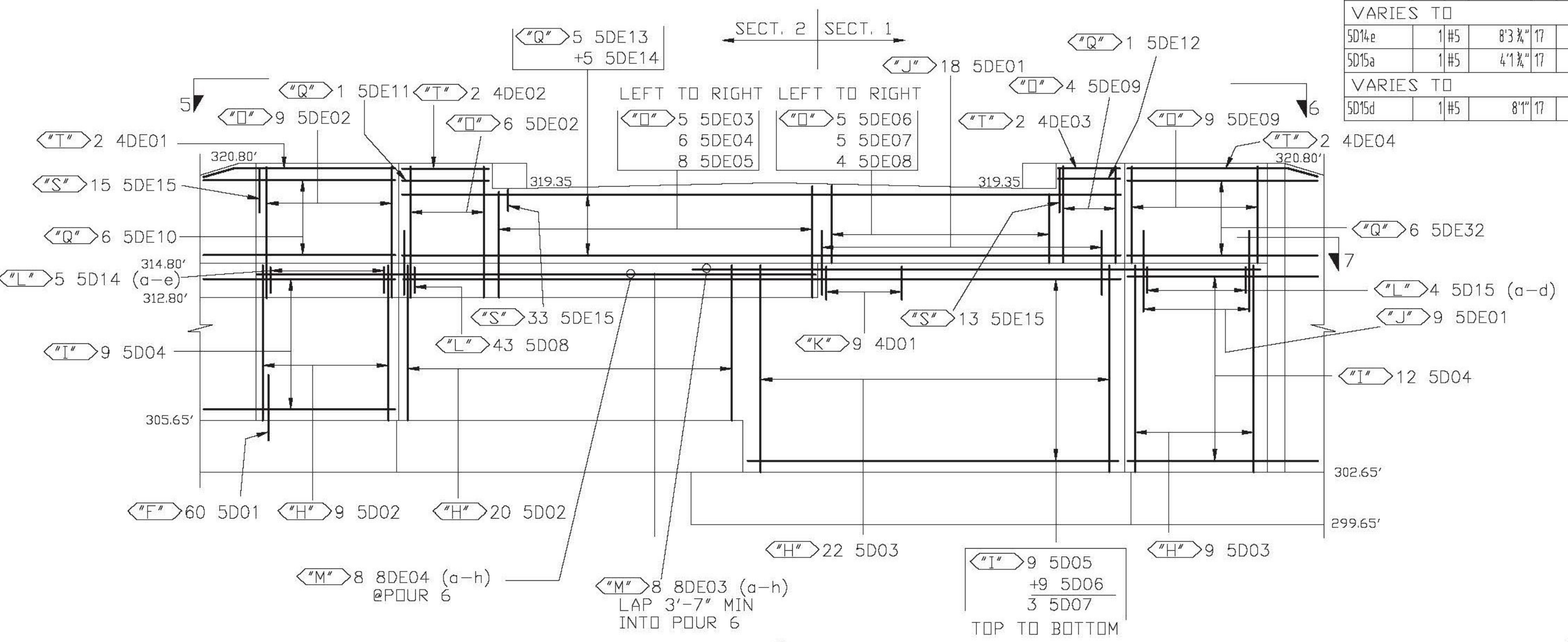


Release Code: BAR LIST AND BENDING DETAILS.

Qty	Size	Total length	Type	A'	B'	C'	D'	E'	F'	G'	H'	J'	K'	O'	R'
4D01	9 #4	81'12"		04 1/2"	18"	20"	18"	20"		04 1/2"					
4D02	1 #4	5'0"0"			5'0"										
4DE01	2 #4E	110'3"			9'0"	2'0"				16 1/2"		13 1/2"	10'3 1/2"		
4DE02	2 #4E	52'0"			52"										
4DE03	7 #4E	38'0"			38"										
4DE04	7 #4E	110'3"			9'0"	2'0"				09 3/4"		19 1/2"	10'9 1/2"		
5D01	60 #5	57'17"			0'10"	4'9"									
5D02	29 #5	8'10"0"			8'10"										
5D03	31 #5	11'10"0"			11'10"										
5D04	21 #5	10'4"0"			10'4"										
5D05	18 #5	30'0"0"			30'0"										
5D06	9 #5	14'2"0"			14'2"										
5D07	3 #5	22'0"0"			22'0"										
5D08	43 #5	9'2"17"			18"	5'10"	18"								
5D09	9 #5	19'11"0"			19'11"										
5D10	3 #5	24'4"0"			24'4"										
5D11	1 #5	5'0"0"			5'0"										
5D12	12 #5	4'0"3"			2'0"	2'0"				16 1/2"		12 1/2"	3'2 1/2"		
5D13	12 #5	14'10"3"			2'0"	10'10"	2'0"			0'10 1/2"		19 1/2"	14'5 1/2"		
5D14a	1 #5	4'3 1/2"17"			17 1/2"	0'11 1/2"	17 1/2"								
5D14e	1 #5	8'3 1/2"17"			18"	4'11 1/2"	17 1/2"								
5D14a	1 #5	4'1 1/2"17"			18"	0'9 1/2"	18"								
5D14d	1 #5	8'1"17"			18"	4'9"	18"								

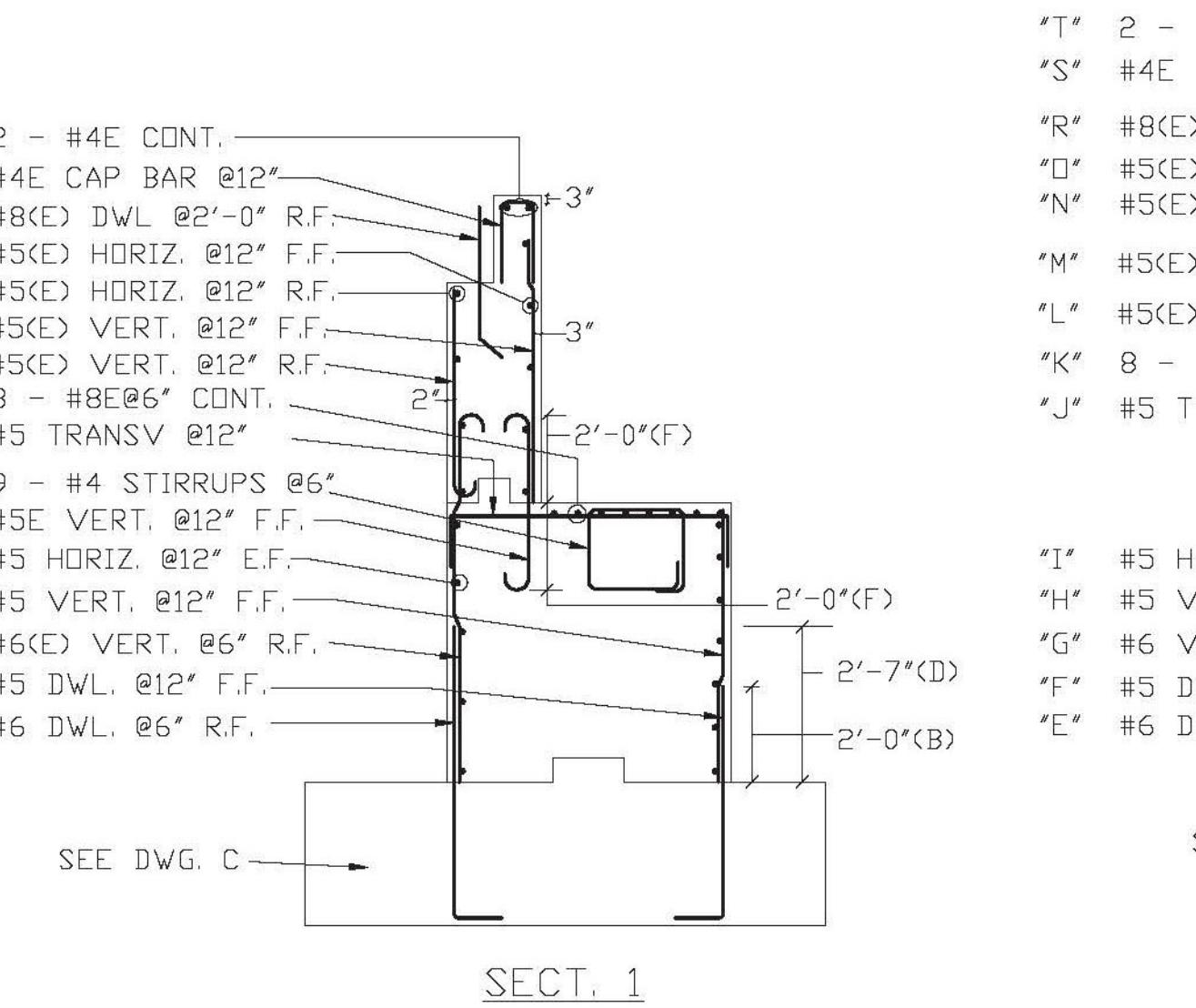
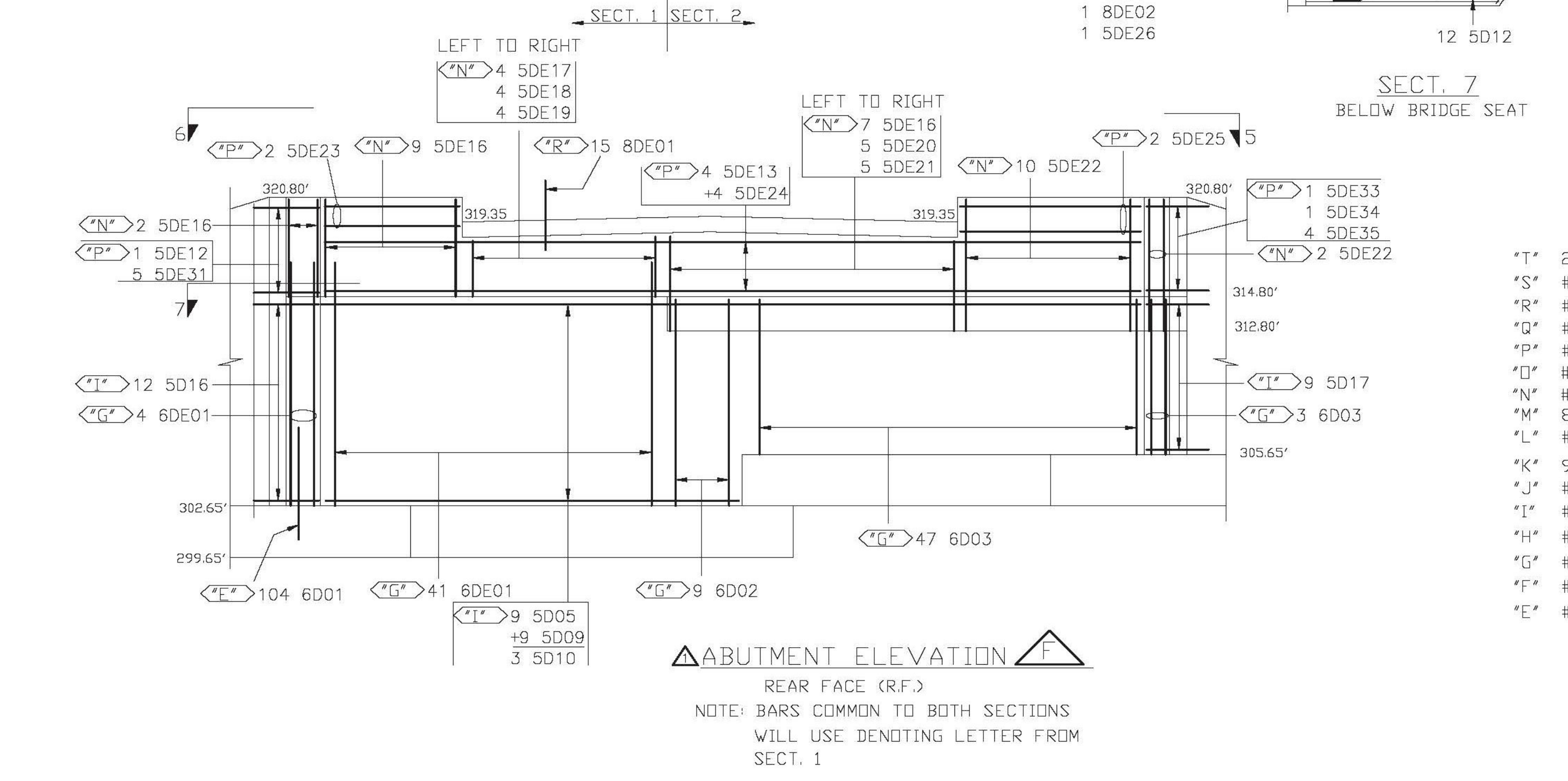
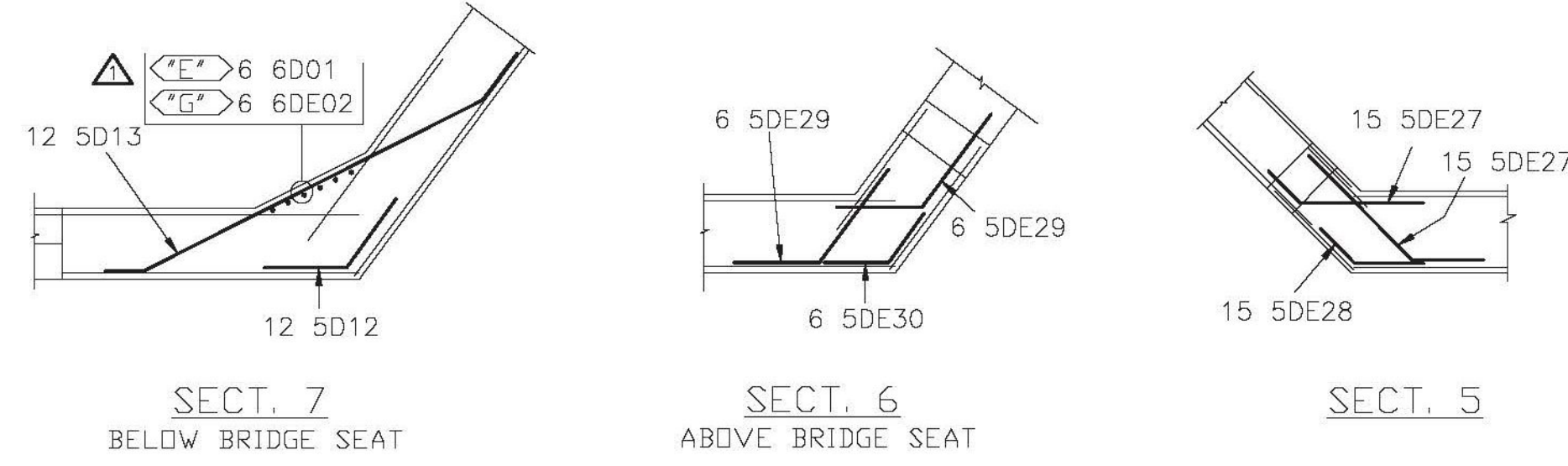
Release Code: BAR LIST AND BENDING DETAILS.

Qty	Size	Total length	Type	A'	B'	C'	D'	E'	F'	G'	H'	J'	K'	O'	R'	
5D16	12 #5	4'0"0"			4'0"											
5D17	9 #5	3'6"0"			3'6"											
5D18	27 #5E	5'2"1"			0'7"	4'0"						0'7"	0'5"			
5D19	15 #5E	7'9"0"			7'9"											
5D20	5 #5E	6'4"0"			6'4"											
5D21	6 #5E	6'6"0"			6'6"											
5D22	8 #5E	6'7"0"			6'7"											
5D23	5 #5E	4'7"0"			4'7"											
5D24	5 #5E	4'6"0"			4'6"											
5D25	4 #5E	4'5"0"			4'5"											
5D26	13 #5E	5'9"0"			5'9"											
5D27	13 #5E	10'4"0"			10'4"											
5D28	1 #5E	5'2"0"			5'2"											
5D29	2 #5E	3'8"0"			3'8"											
5D30	19 #5E	30'0"0"			30'0"											
5D31	5 #5E	14'2"0"			14'2"											
5D32	61 #5E	4'2"17"			18"	0'10"	18"									
5D33	10 #5E	6'5"1"			0'7"	5'10"								0'5"		
5D34	4 #5E	3'10"1"			0'7"	3'3"								0'5"		
5D35	4 #5E	4'0"1"			0'7"	3'5"								0'5"		
5D36	4 #5E	4'2"1"			0'7"	3'7"								0'5"		
5D37	5 #5E	6'0"1"			0'7"	5'5"								0'5"		
5D38	5 #5E	5'10"1"			0'7"	5'3"								0'5"		
5D39	12 #5E	8'2"1"			0'7"	7'7"								0'5"		
5D40	2 #5E	8'0"0"			8'0"											
5D41	4 #5E	19'10"0"			19'10"											
5D42	2 #5E	10'7"0"			10'7"											
5D43	1 #5E	5'0"0"			5'0"											
5D44	30 #5E	6'3"3"			4'3"	2'0"						15"	15"	5'8"		
5D45	15 #5E	4'0"3"			2'0"	2'0"						15"	15"	3'5"		
5D46	12 #5E	6'3"3"			4'3"	2'0"						16 1/2"	12 1/2"	5'5 1/2"		
5D47	6 #5E	4'0"3"			2'0"	2'0"						16 1/2"	12 1/2"	3'2 1/2"		
5D48	5 #5E	4'0"0"			4'0"											
5D49	6 #5E	10'9"0"			10'9"											
5D50	1 #5E	2'0"0"			2'0"											
5D51	1 #5E	2'10"0"			2'10"											
5D52	4 #5E	3'6"0"			3'6"											
6D01	110 #6	6'4"17"			10"	5'4"										
6D02	9 #6	12'6"1"			0'8"	11'10"								0'6"		
6D03	50 #6	9'6"1"			0'8"	8'10"								0'6"		
6D04	1 #6	5'0"0"			5'0"											
6D05	45 #6E	14'10"1"			0'8"	14'2"								0'6"		
6D06	6 #6E	12'2"0"			12'2"											
7D01	1 #7	5'0"0"			5'0"											
8D01	15 #8E	4'0"3"			3'0"	1'0"								0'8 1/2"	0'8 1/2"	3'8 1/2"
8D02	1 #8E	5'0"0"			5'0"											
8D03a	1 #8E	15'11"0"			15'11"											
8D03b	1 #8E	22'1"0"			22'1"											
8D04a	1 #8E	24'3"0"			24'3"											
8D04b	1 #8E	27'9"0"			27'9"											



STOCK BAR TEST BARS

10 5DE13	1 4D02
1 5D11	1 5D11
1 6D04	1 6D04
1 7D01	1 7D01
1 8DE02	1 8DE02
1 5DE26	1 5DE26



NOTE: BAR MARKS MAY CHANGE WHEN DRAWING IS REVISED

NOTE: ELEVATIONS & DIMENSIONS SHOWN ON THIS DWG. ARE FOR REINF. DETAILING PURPOSES ONLY AND ARE NOT INTENDED FOR CONSTRUCTION.

-EPOXY BAR DENOTED BY AN E IN MARK NUMBER

-REINF. BARS: ASTM A615 GRADE 60 (BLACK) ASTM A615 GRADE 60E (EPOXY)

FOR APPROVAL

4					
3					
2	10/18/11	REV'D/ENG. COMM./APPROVAL			
1	10/03/11	APPROVAL			
DATE	REV.#	SENT FOR			
DIMENSION DIMENSION FABRICATORS INC.					
STRUCTURE	VERMONT BRIDGE #24				
LOCATION	US ROUTE 2 TOWN OF RICHMOND COUNTY OF CHITTENDEN, VERMONT				
ARCHITECT					
ENGINEER					
CUSTOMER	HARRISON & BURROWES BRIDGE CONST.				
DRAWN BY	DATE	DTI #			
WAYNE	10/03/11	7020			
DRAWING COVERS			DRAWING #		
EAST ABUTMENT REINF			D		