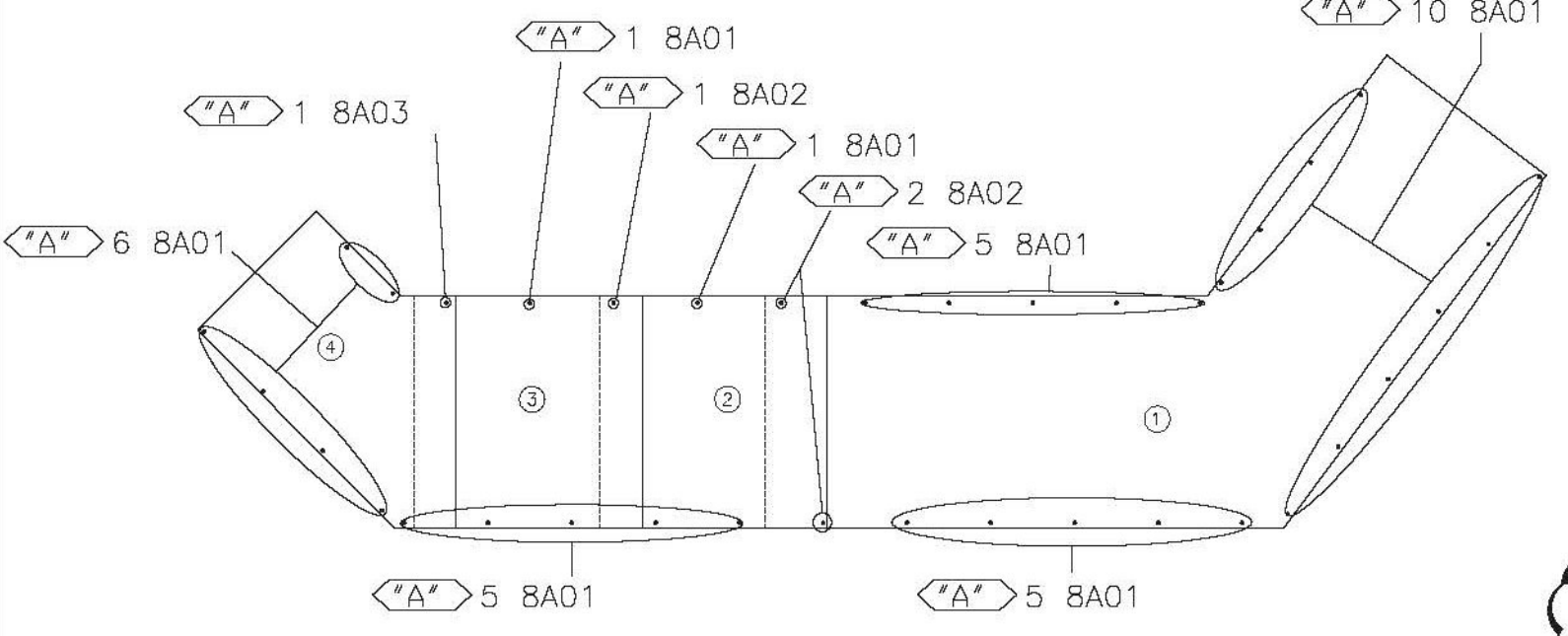
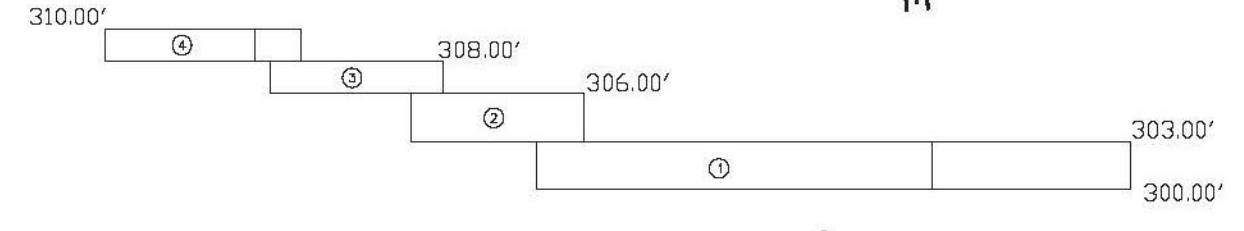


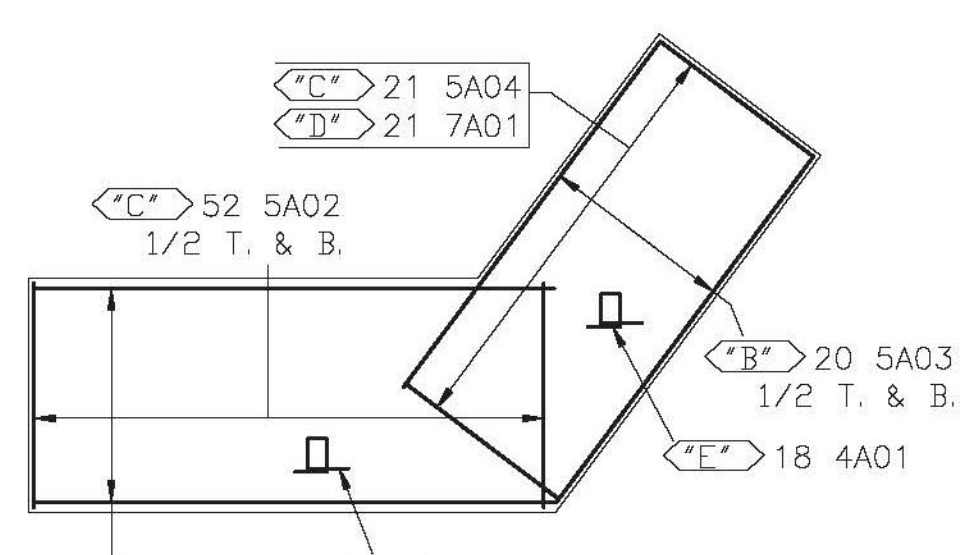
ABUTMENT PLAN



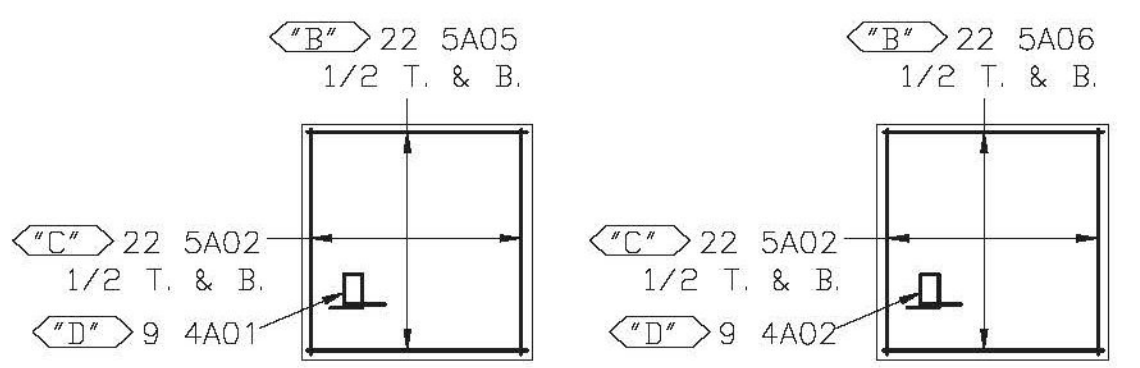
FOOTING PLAN



FTG. ELEVATION A

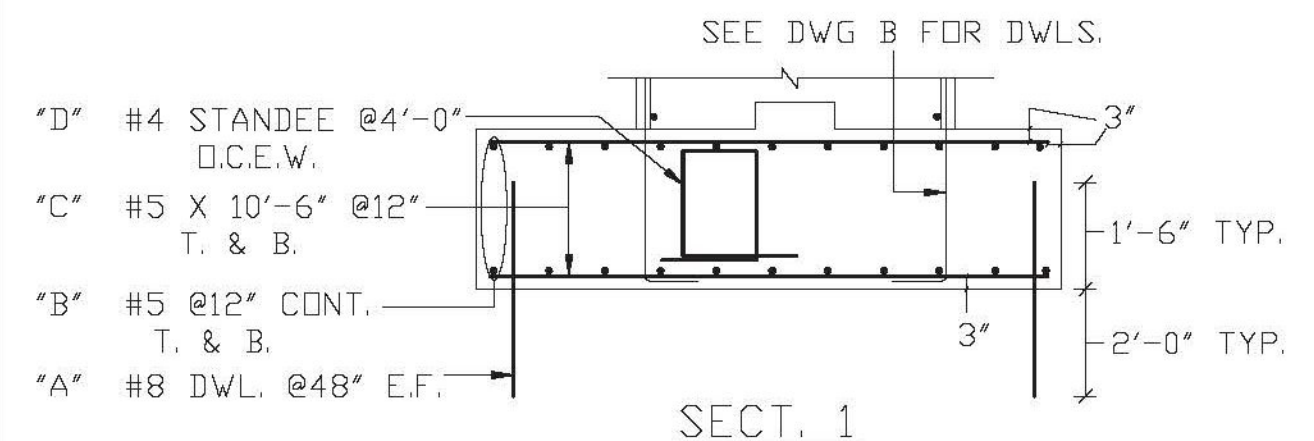


FOOTING SLAB SECT. 1

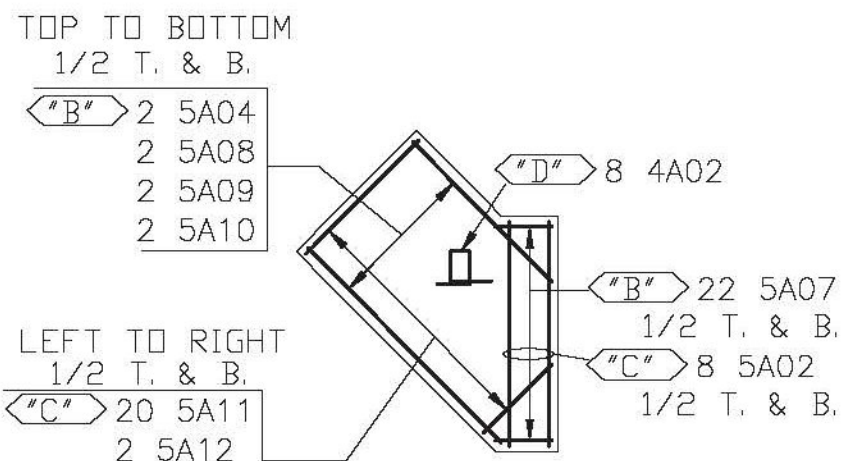


FOOTING SLAB SECT. 2

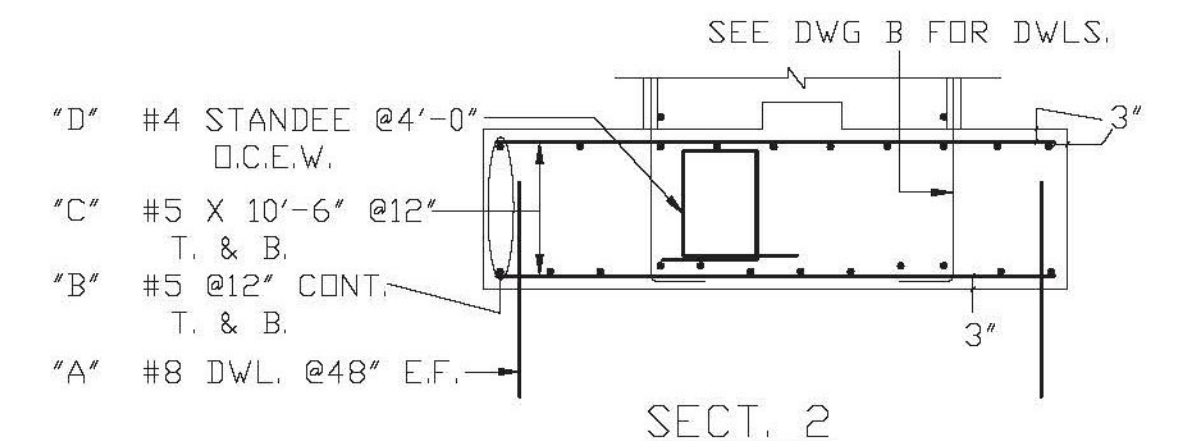
FOOTING SLAB SECT. 3



SECT. 1



FOOTING SLAB SECT. 4



SECT. 2

ENTIRE DWG. REVISED

Release Code: 0

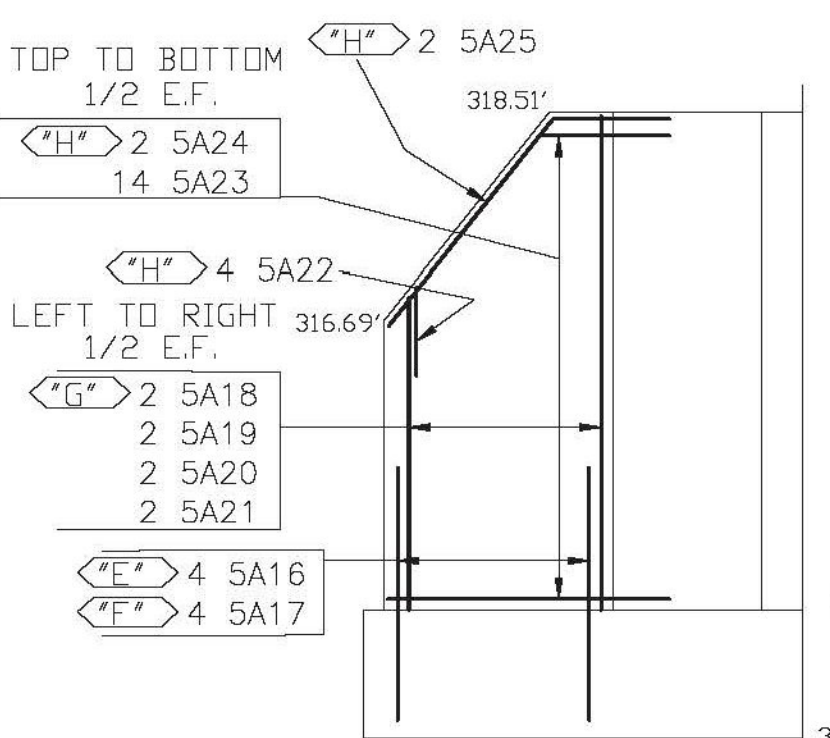
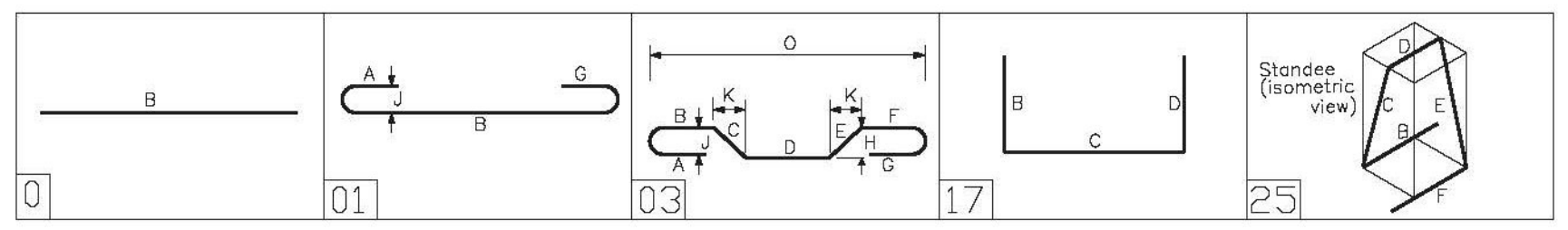
BAR LIST AND BENDING DETAILS.

Qty	Size	Total length	Type	'A'	'B'	'C'	'D'	'E'	'F'	'G'	'H'	'I'	'J'	'K'	'L'	'M'
4A01	45 #4	9'3"	25		16"	24 1/2"	16"	24 1/2"	16"		23 1/2"		11 1/2"			
4A02	17 #4	7'3"	25		16"	14 1/2"	16"	14 1/2"	16"		13 1/2"		0'7 1/2"			
5A01	22 #5	24'3"	0		24'3"											
5A02	104 #5	10'6"	0		10'6"											
5A03	20 #5	19'8"	0		19'8"											
5A04	23 #5	9'0"	0		9'0"											
5A05	22 #5	10'4"	0		10'4"											
5A06	44 #5	10'2"	0		10'2"											
5A07	22 #5	3'0"	0		3'0"											
5A08	2 #5	10'0"	0		10'0"											
5A09	2 #5	11'0"	0		11'0"											
5A10	2 #5	11'11"	0		11'11"											
5A11	20 #5	7'6"	0		7'6"											
5A12	2 #5	6'3"	0		6'3"											
5A13	2 #5	5'3"	0		5'3"											
5A14	2 #5	4'3"	0		4'3"											
5A15	10 #5	4'9"	0		4'9"											
5A16	4 #5	4'9"	17		0'10"	3'11"										
5A17	4 #5	3'9"	0		3'9"											
5A18	2 #5	6'7"	0		6'7"											
5A19	2 #5	7'3"	0		7'3"											
5A20	2 #5	8'0"	0		8'0"											
5A21	2 #5	8'3"	0		8'3"											
5A22	4 #5	5'11"	17		2'0"	1'1"	2'0"									

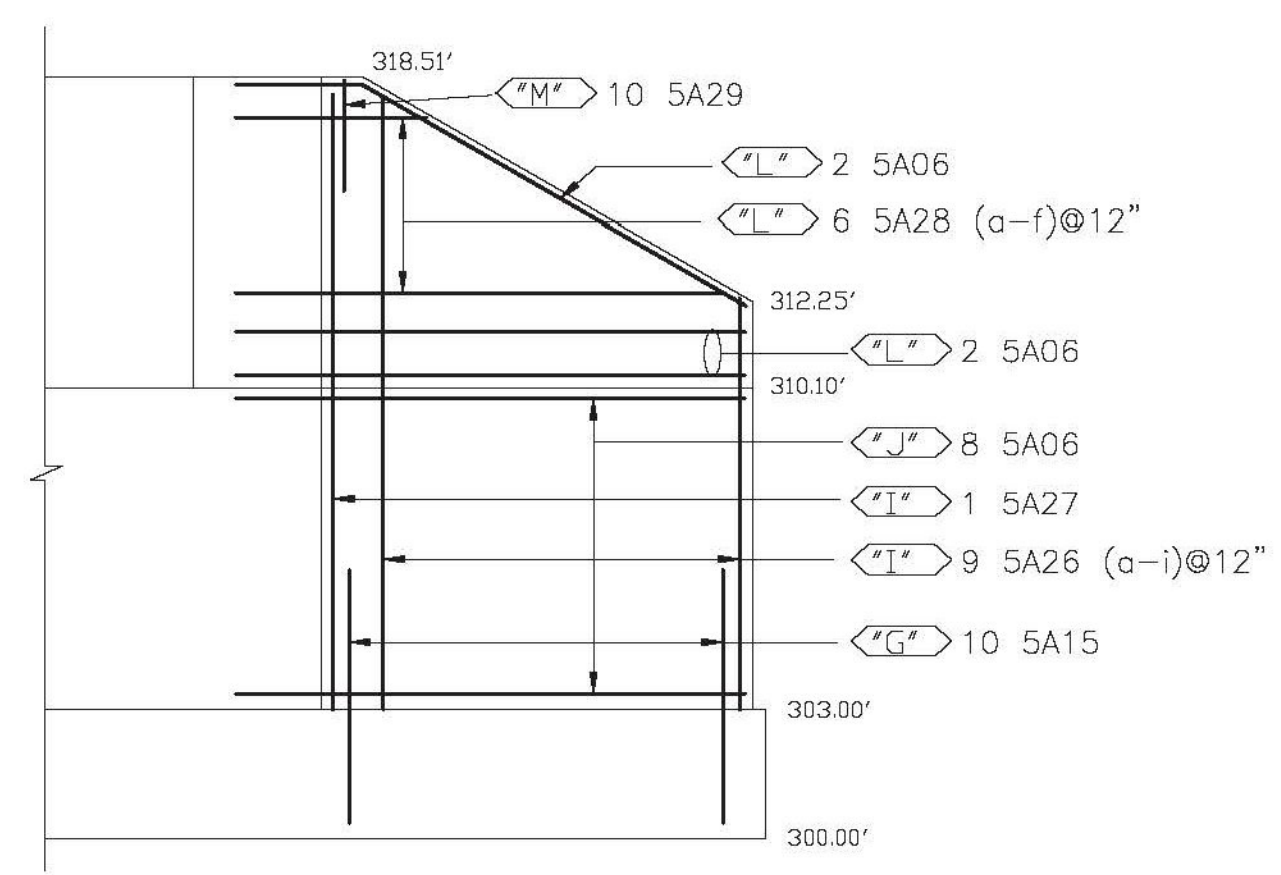
Release Code: 0

BAR LIST AND BENDING DETAILS.

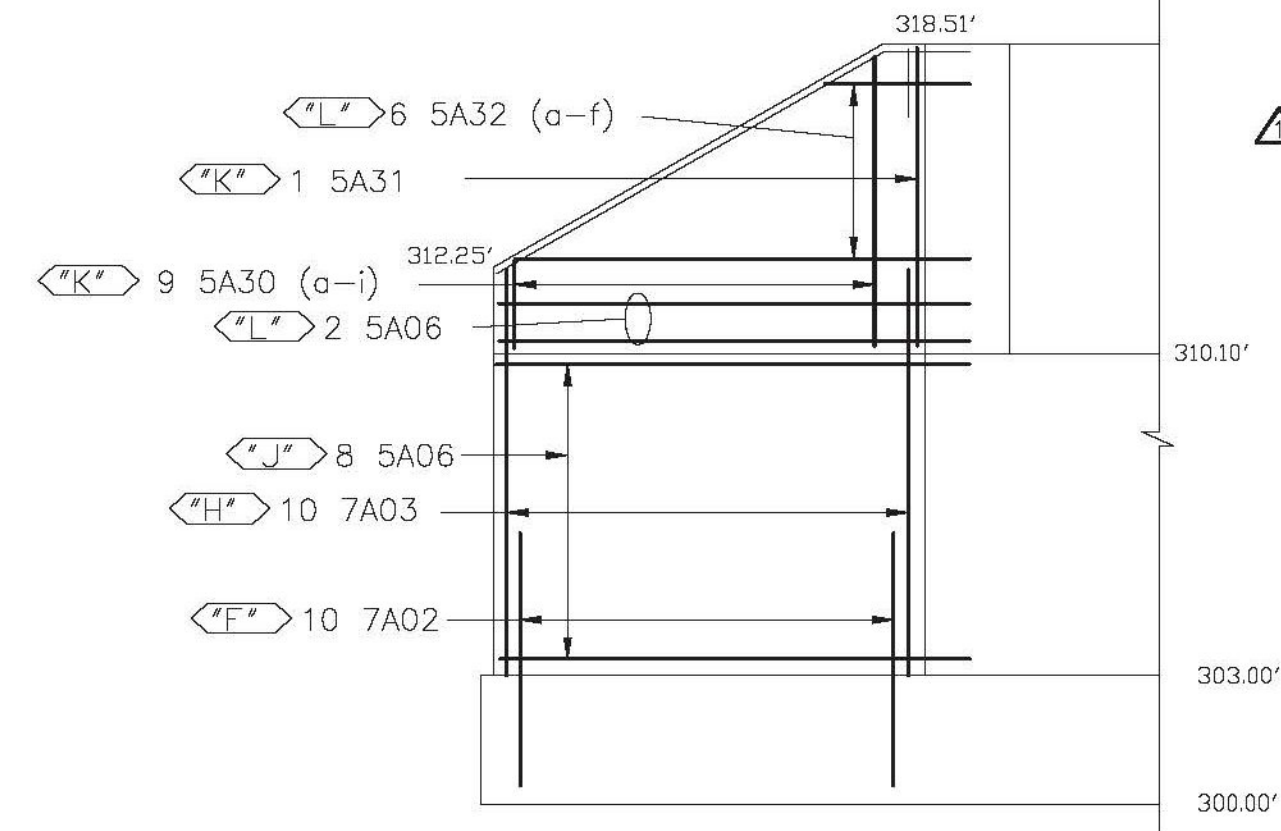
Qty	Size	Total length	Type	'A'	'B'	'C'	'D'	'E'	'F'	'G'	'H'	'I'	'J'	'K'	'L'	'M'
5A23	14 #5	4'6"	0		4'6"											
5A24	2 #5	3'8"	0		3'8"											
5A25	2 #5	5'0"	3		3'0"	2'0"						1'1 1/2"		1'7 1/2"	4'7 1/2"	
5A26a	1 #5	9'2"	0		9'2"											
VARIES TO																
5A26i	1 #5	15'1"	0		15'1"											
5A27	1 #5	15'3"	0		15'3"											
5A28a	1 #5	3'6"	0		3'6"											
VARIES TO																
5A28f	1 #5	10'3"	0		10'3"											
5A29	10 #5	5'7"	17		2'0"	1'7"	2'0"									
5A30a	1 #5	2'6"	1		0'7"	1'11"								0'5"		
VARIES TO																
5A30i	1 #5	8'5"	1		0'7"	7'10"								0'5"		
5A31	1 #5	8'9"	1		0'7"	8'2"								0'5"		
5A32a	1 #5	3'6"	0		3'6"											
VARIES TO																
5A32f	1 #5	10'3"	0		10'3"											
7A01	21 #7	9'0"	0		9'0"											
7A02	10 #7	7'6"	17		7'2"	6'4"										
7A03	10 #7	9'10"	1		0'10"	9'0"								0'7"		
8A01	33 #8	3'6"	0		3'6"											
8A02	3 #8	6'6"	0		6'6"											
8A03	1 #8	5'6"	0		5'6"											



WALL ELEVATION B WINGWALL 2



WALL ELEVATION C WINGWALL 1 FRONT FACE (F.F.)



WALL ELEVATION D WINGWALL 1 REAR FACE (R.F.)

NOTE: BAR MARKS MAY CHANGE WHEN DRAWING IS REVISED

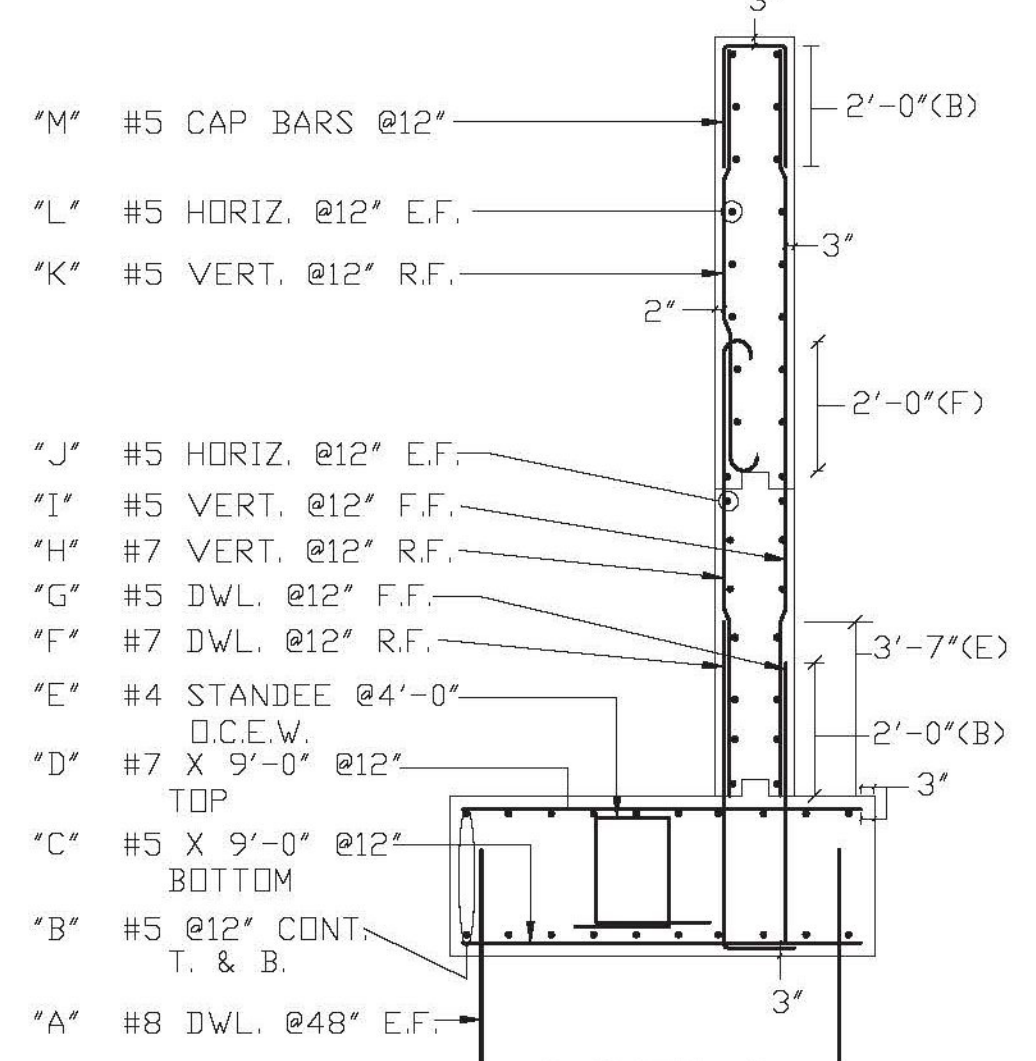
NOTE: ELEVATIONS & DIMENSIONS SHOWN ON THIS DWG. ARE FOR REINF. DETAILING PURPOSES ONLY AND ARE NOT INTENDED FOR CONSTRUCTION.

REIN. BARS: ASTM A615 GRADE 60 (BLACK) ASTM A615 GRADE 60E (EPOXY)

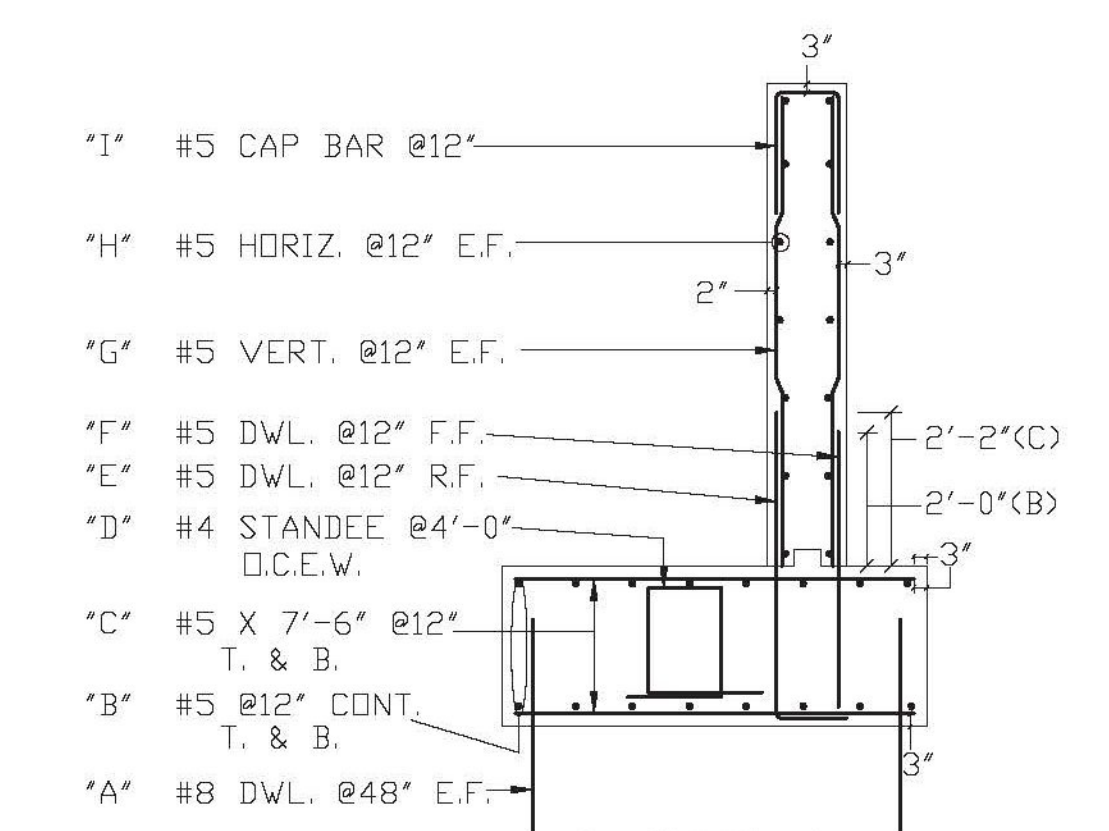
LAP/EMBED LENGTHS

LAP	LENGTH
A	2'-0"
B	2'-0"
C	2'-2"
D	2'-7"
E	3'-7"
F	2'-0"
G	1'-8"

LAP 'A' SHALL BE USED FOR ALL #5 HORIZONTAL BARS BOTH BLACK AND EPOXY COATED.



SECT. 3 WINGWALL 1



SECT. 4 WINGWALL 2

FOR APPROVAL

4			
3	09/14/11	REV/NEWER STRUCT DWGS/APPROVAL	
2	09/12/11	REV/ENG COMMENTS/NEW STRUCT DWGS/APPROVAL	
1	09/07/11	0 APPROVAL	
DATE	REV.#	SENT FOR	
DIMENSION FABRICATORS INC.			
2000 7TH STREET SCOTLAND, NY 12302 (518) 374-1938 FAX (518) 374-4830 www.dimensionfabricators.com			
STRUCTURE	VERMONT BRIDGE #24		
LOCATION	US ROUTE 2 TOWN OF RICHMOND COUNTY OF CHITTENDEN, VERMONT		
ARCHITECT			
ENGINEER	HARRISON & BURROWES BRIDGE CONST.		
CUSTOMER	DATE	DOI #	
WAYNE	09/07/11	7020	
DRAWING COVERS		DRAWING #	
WEST ABUTMENT FTG. AND WINGWALL REINF.		A	