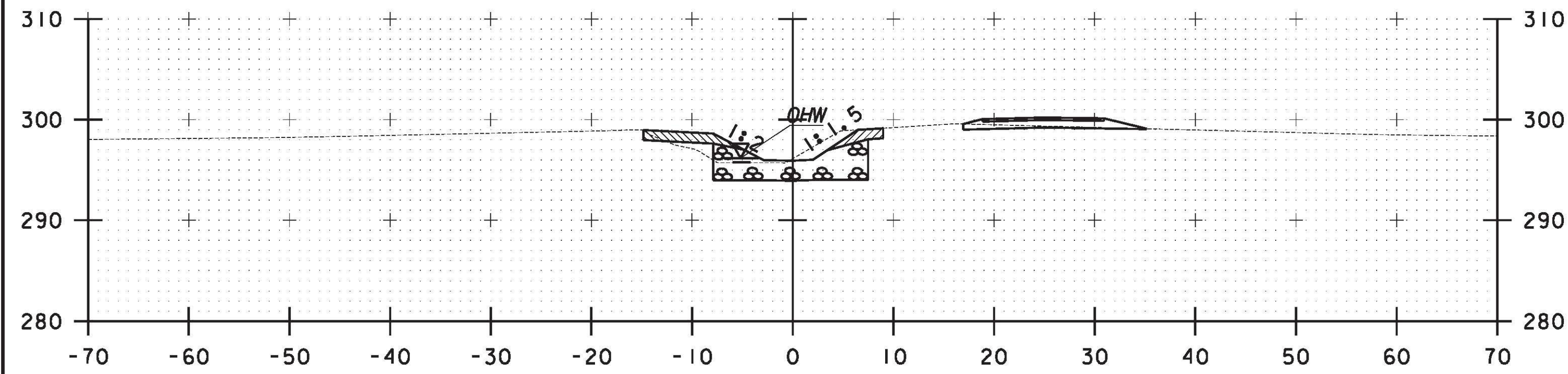
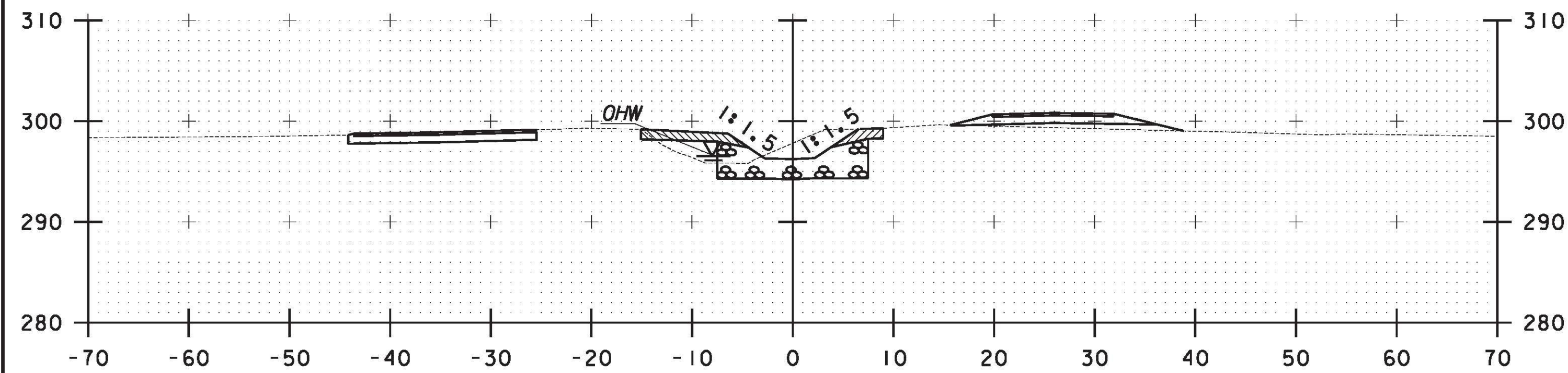


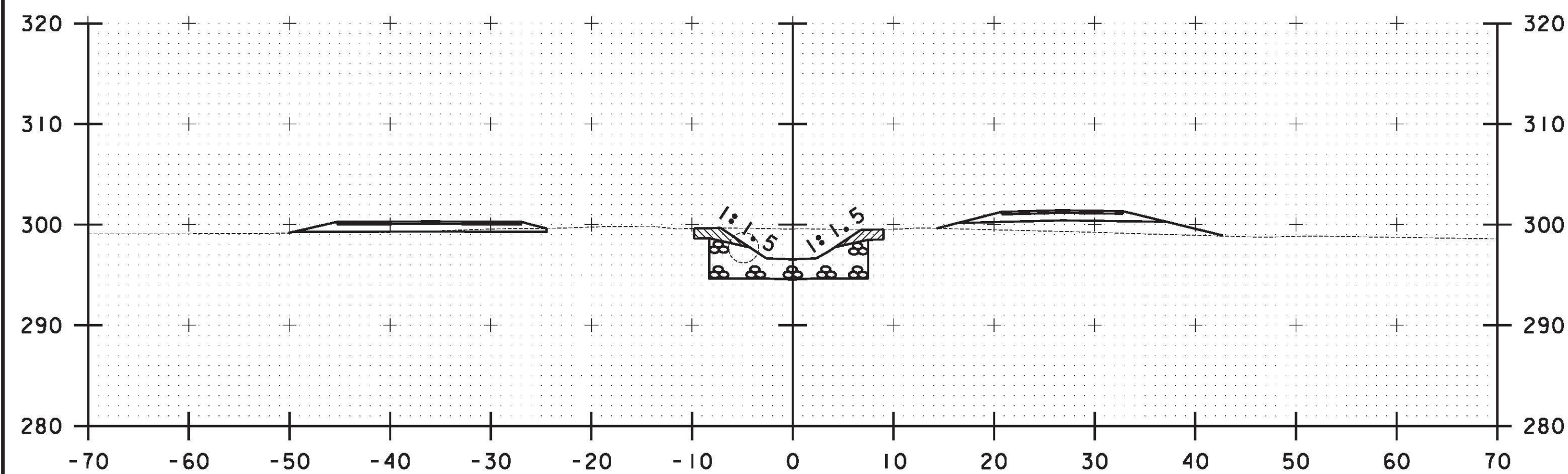
FILE NAME = I:\projects\AM\K2\22076\CADD\1-161 BRIDGE DESIGN\96092_culv.cs_4.dgn
 DATE/TIME = 10/16/2012
 USER = 3293



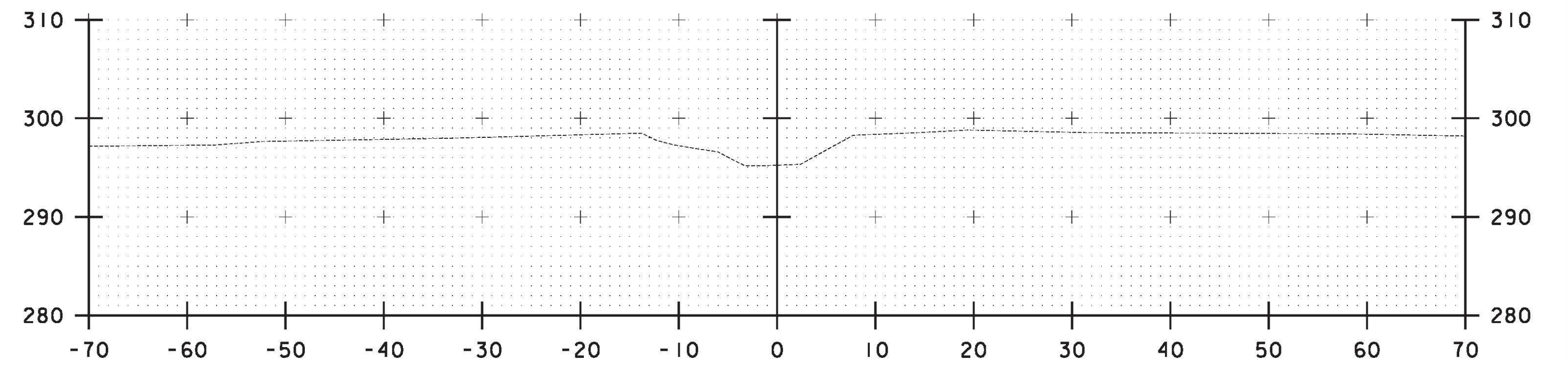
401+80



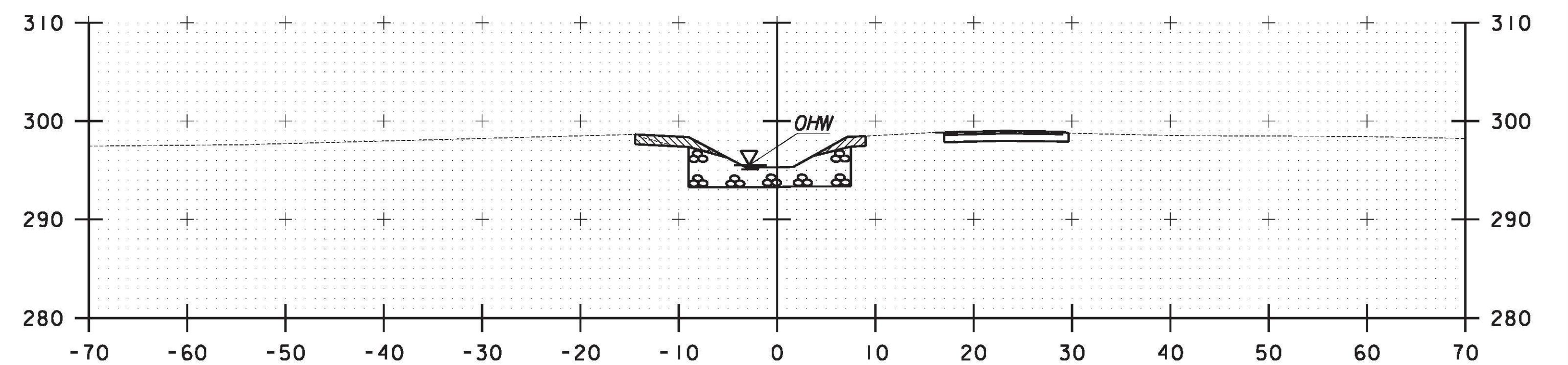
401+70



401+60

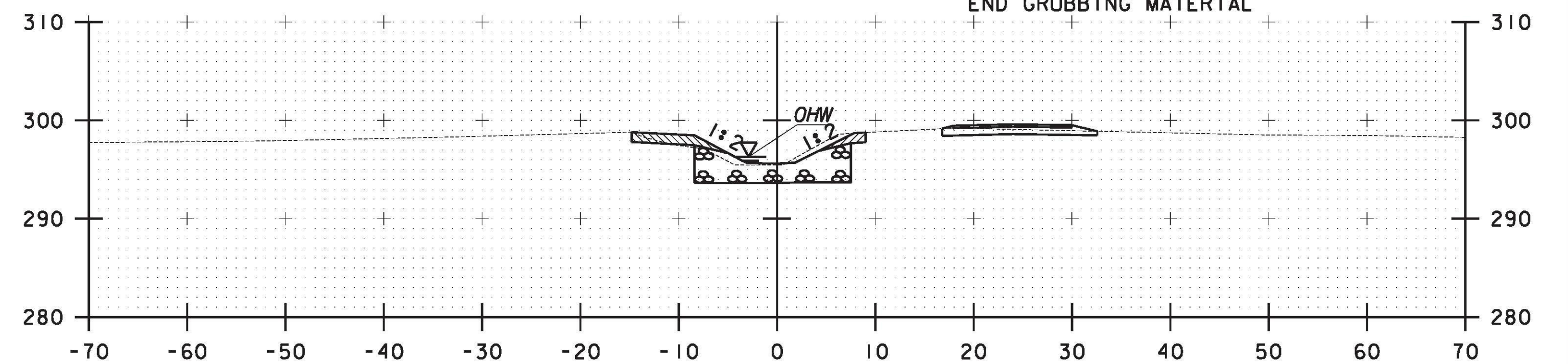


402+10



402+00

STA. 402+00.0 ζ
 END STONE FILL, TYPE II
 END UNCLASSIFIED CHANNEL EXCAVATION
 END GRUBBING MATERIAL



401+90

BOX CHANNEL SECTIONS

10 0 10
 SCALE: 1" = 10'-0"
 STA. 401+60 TO STA. 402+10

BOX CULVERT
 CHANNEL
 SECTIONS
 (4 OF 4)

PROJECT NAME: RICHMOND	PLOT DATE: 10/16/2012
PROJECT NUMBER: STP-RS 0284(III)	DRAWN BY: PKR
FILE NAME: z90c092_culv_cs_4.dgn	CHECKED BY: VC/KM
PROJECT LEADER: DJV	SHEET 4 OF
DESIGNED BY: IJ/RDH	
DWG. NO.: CS4	