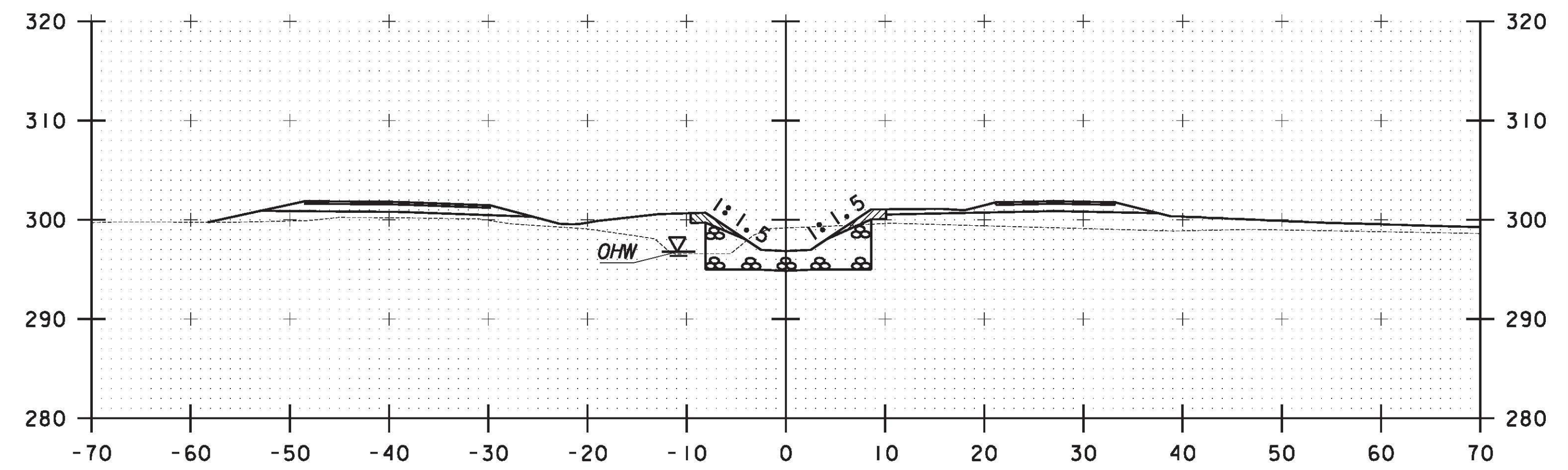
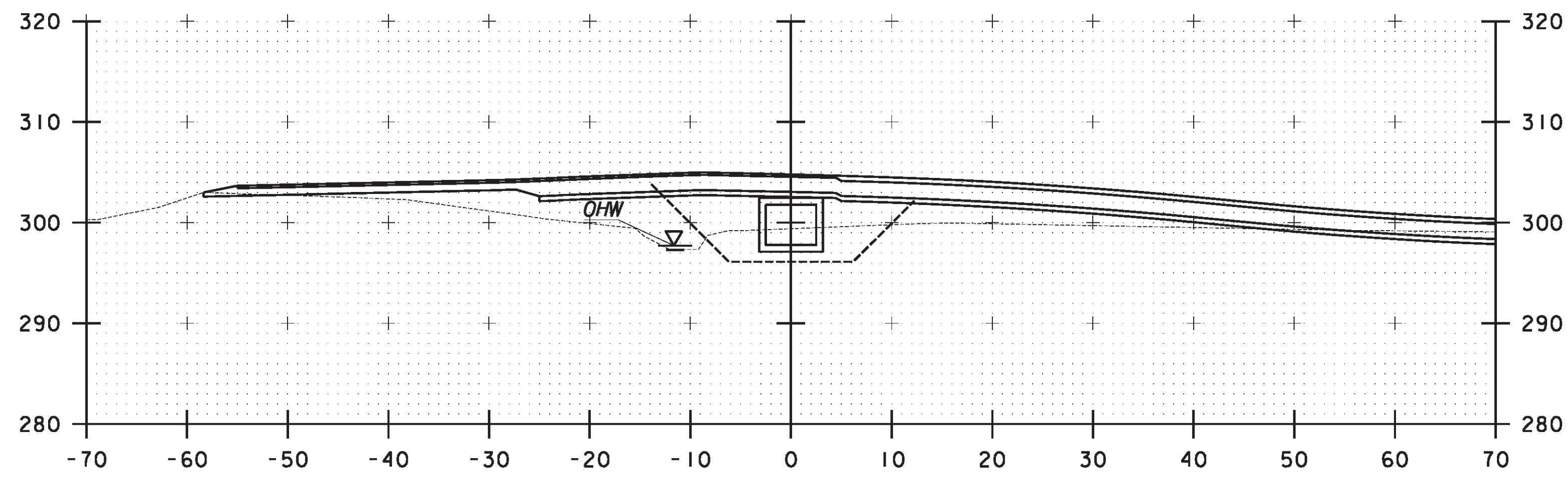


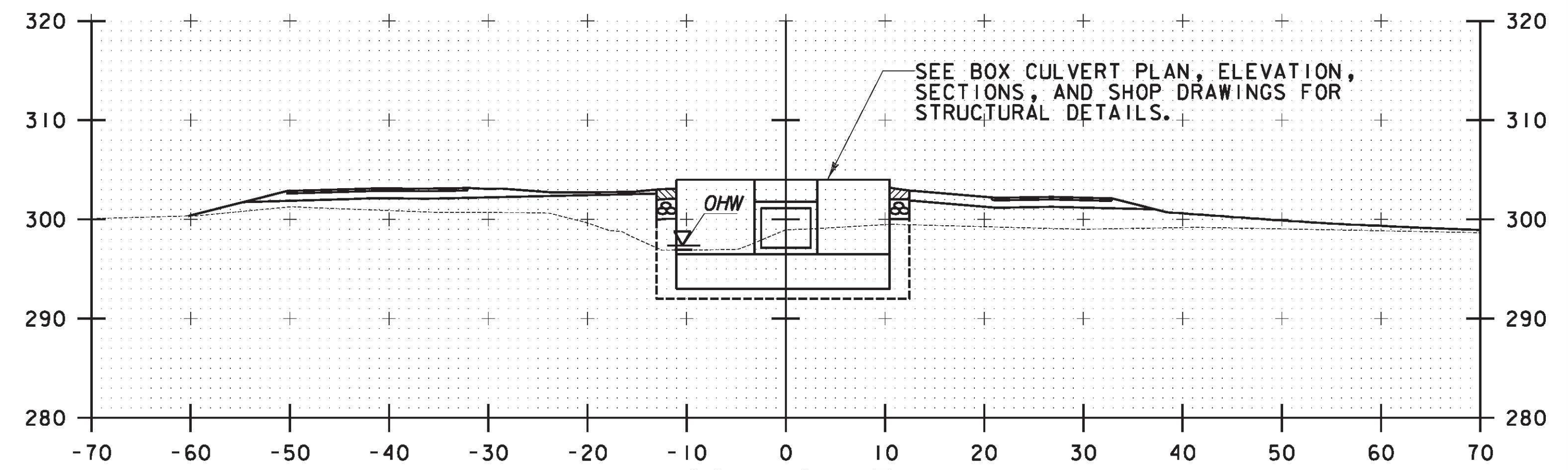
401+30



401+50



401+20

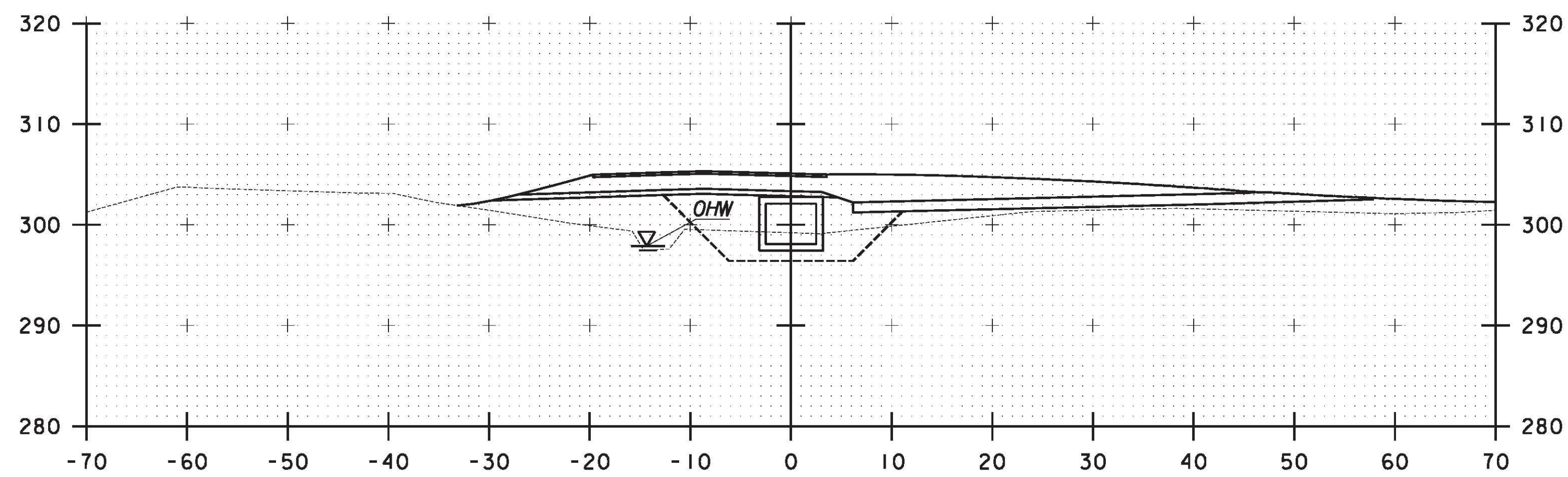


401+41.3

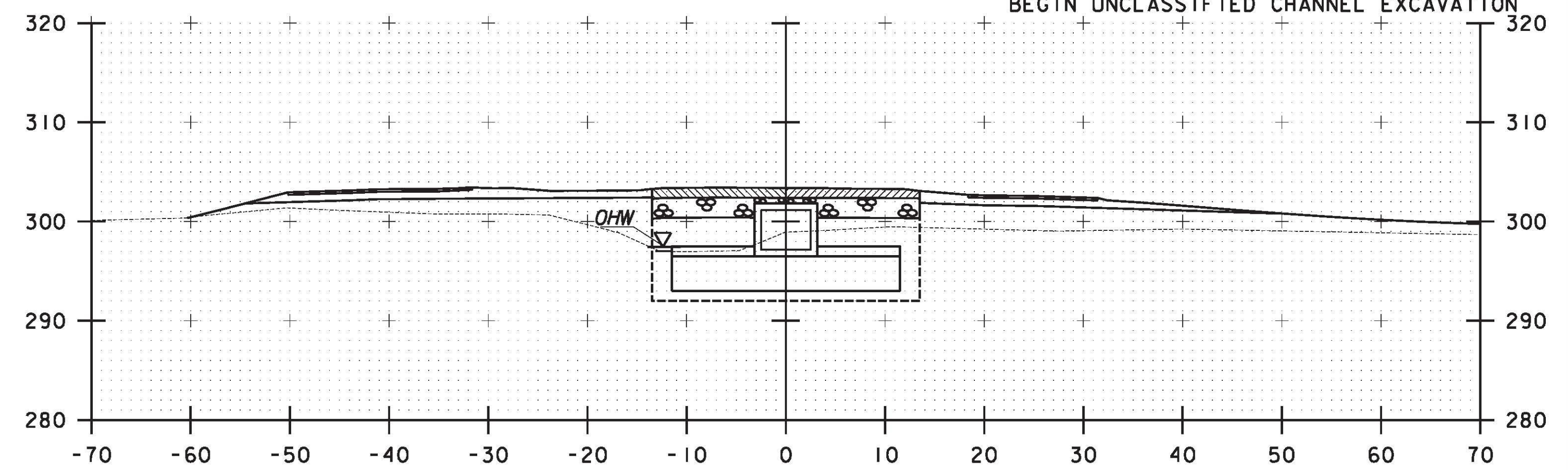
STA. 401+41.3 $\text{\textcircled{C}}$
 END NEW 5' X 4'
 PRECAST BOX CULVERT

SEE BOX CULVERT PLAN, ELEVATION,
 SECTIONS, AND SHOP DRAWINGS FOR
 STRUCTURAL DETAILS.

STA. 401+41.3 $\text{\textcircled{C}}$
 END STRUCTURE EXCAVATION
 BEGIN STONE FILL, TYPE II
 BEGIN GRUBBING MATERIAL
 BEGIN UNCLASSIFIED CHANNEL EXCAVATION



401+10



401+40

STA. 401+38.3 $\text{\textcircled{C}}$ - 401+41.3 $\text{\textcircled{C}}$
 STONE FILL, TYPE I

10 0 10
 SCALE: 1" = 10'-0"
 STA. 401+10 TO STA. 401+50

BOX CHANNEL SECTIONS

BOX CULVERT
 CHANNEL
 SECTIONS
 (3 OF 4)

PROJECT NAME: RICHMOND
 PROJECT NUMBER: STP-RS 0284(III)
 FILE NAME: z90c092_culv_cs_3.dgn
 PROJECT LEADER: DJV
 DESIGNED BY: IJ/RDH
 DWG. NO.: CS3_

PLOT DATE: 10/16/2012
 DRAWN BY: PKR
 CHECKED BY: VC/KM
 SHEET 3 OF

FILE NAME = V:\Projects\AM\K2\22076\CADD\INST\BRIDGE WORK\WBS (1-16) BRIDGE DESIGN\96092_culv_cs_3.dgn
 DATE/TIME = 10/16/2012
 USER = 3293