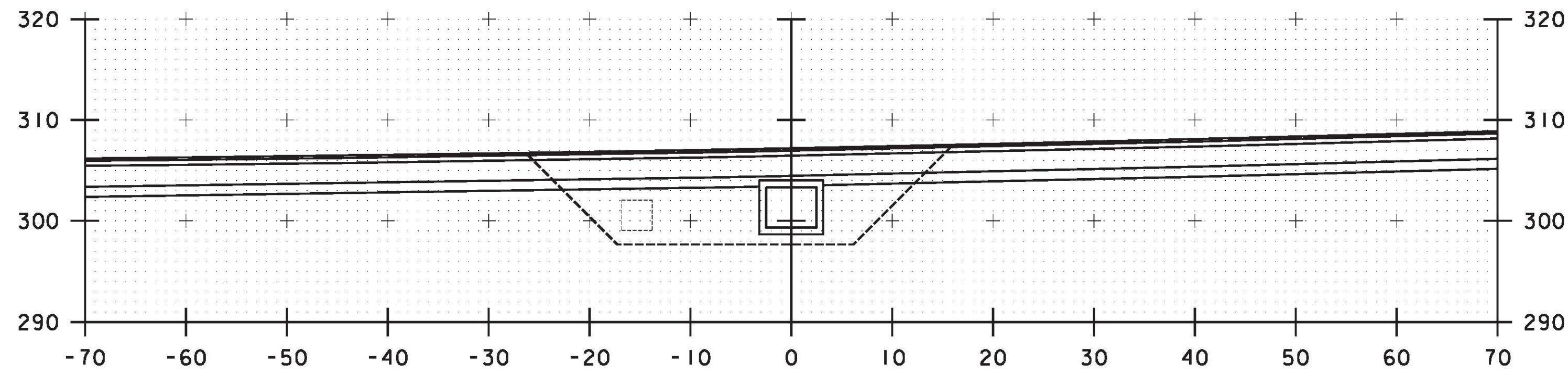
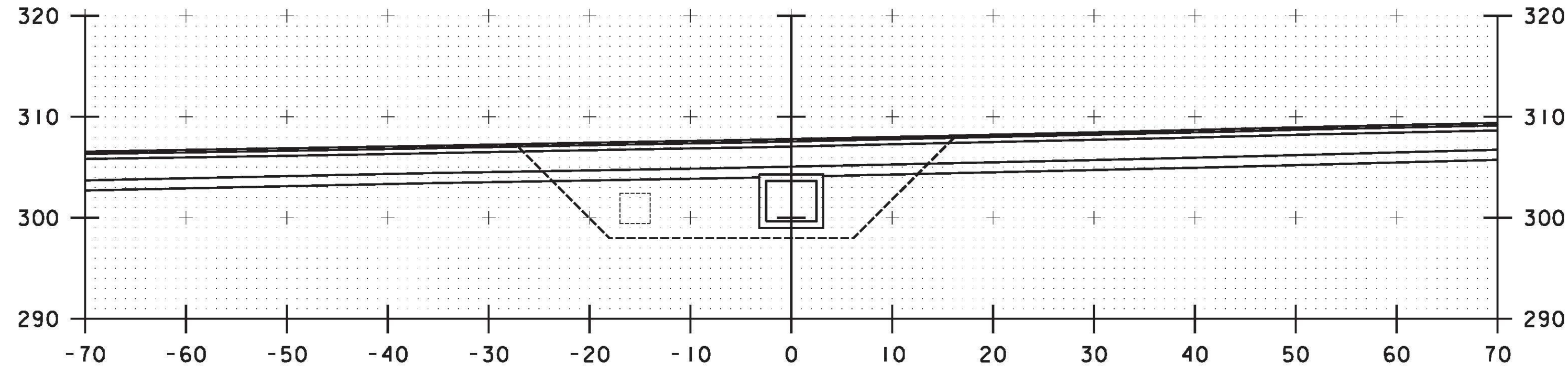


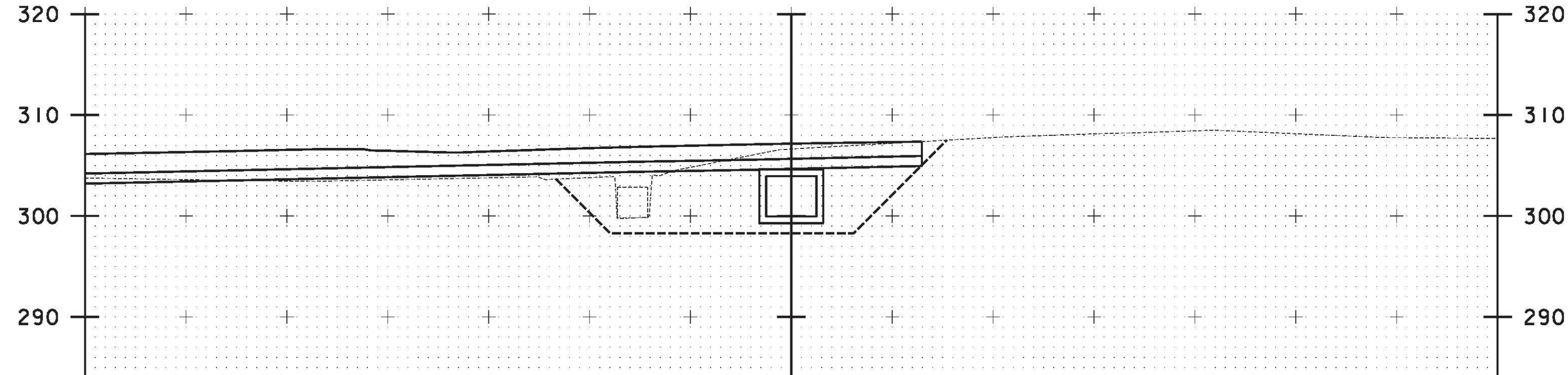
FILE NAME = V:\Projects\AM\K2\22076\CADD\INSTN\BRIDGE WORK\WBS (1-16) BRIDGE DESIGN\96092_culv.cs.dgn
 DATE/TIME = 10/16/2012
 USER = 3293



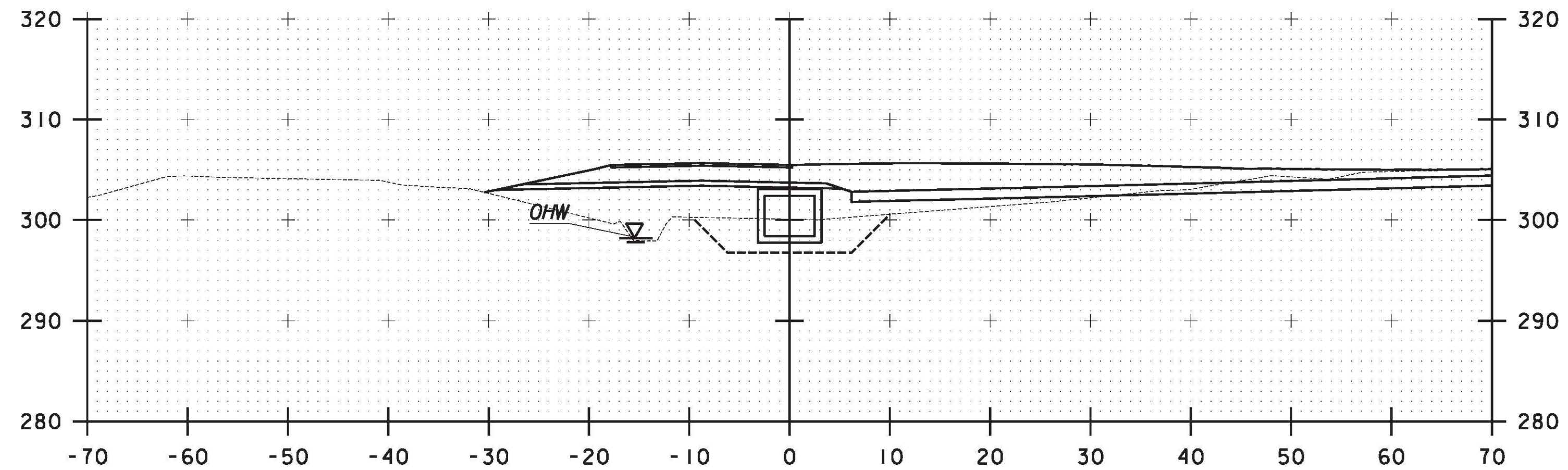
400+70



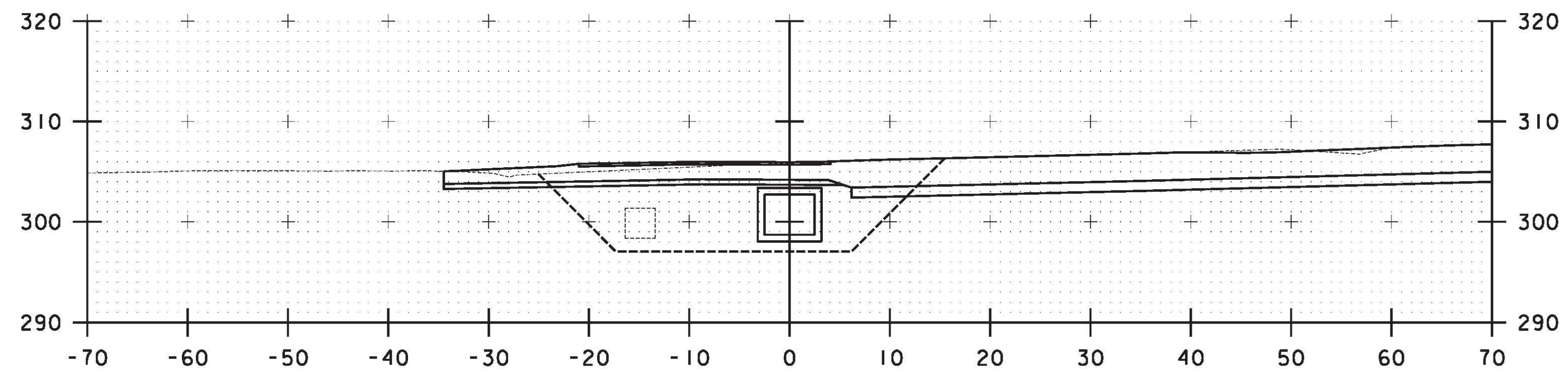
400+60



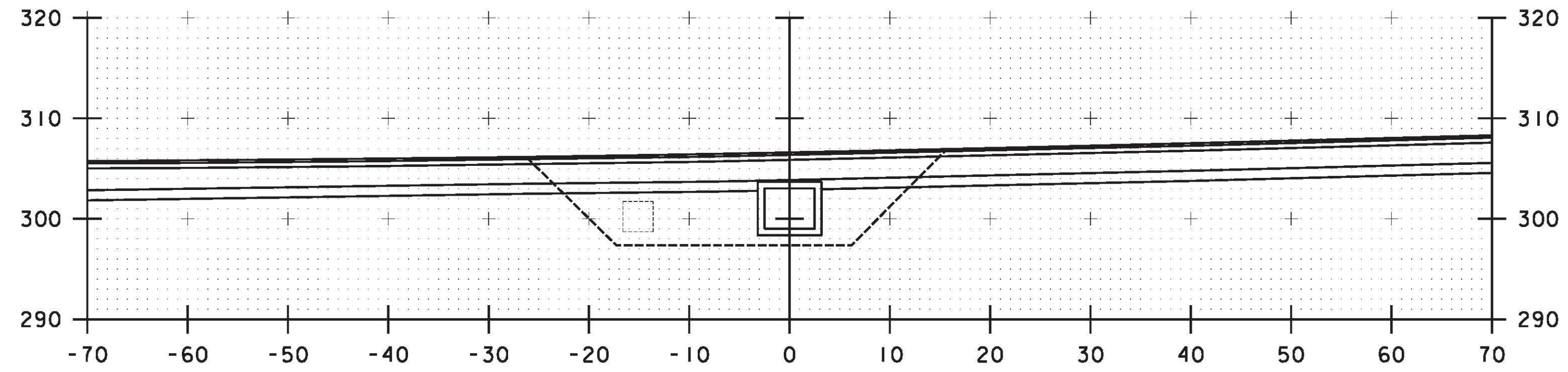
400+50



401+00

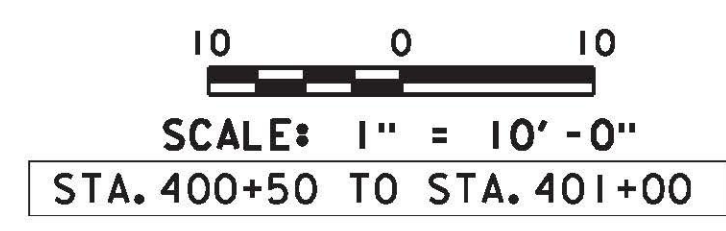


400+90



400+80

BOX CHANNEL SECTIONS



**BOX CULVERT
 CHANNEL
 SECTIONS
 (2 OF 4)**

PROJECT NAME: RICHMOND	PLOT DATE: 10/16/2012
PROJECT NUMBER: STP-RS 0284(III)	DRAWN BY: PKR
FILE NAME: z90c092_culv.cs.2.dgn	CHECKED BY: VC/KM
PROJECT LEADER: DJV	SHEET 2 OF
DESIGNED BY: IJ/RDH	
DWG. NO.: CS2__	