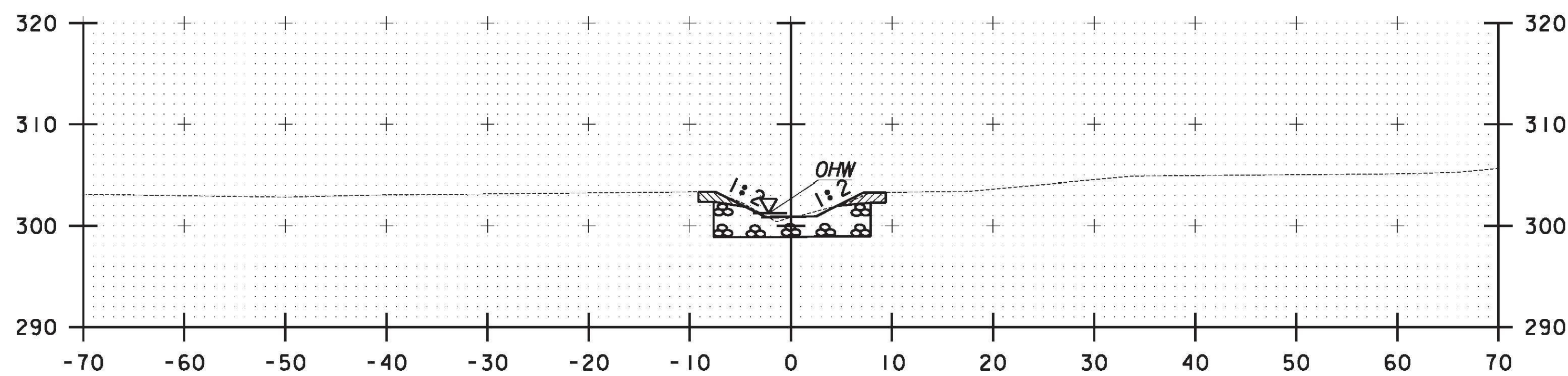
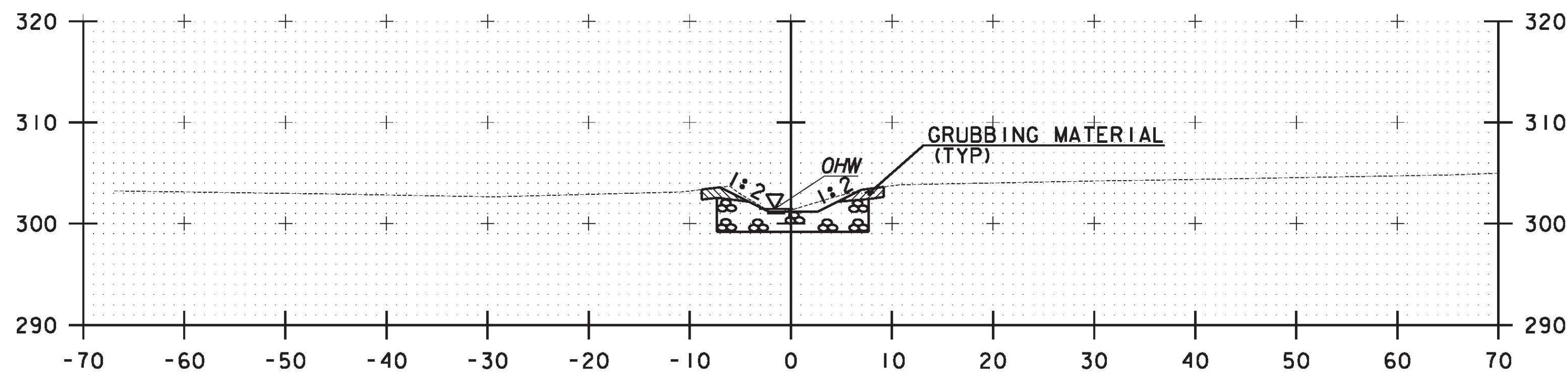


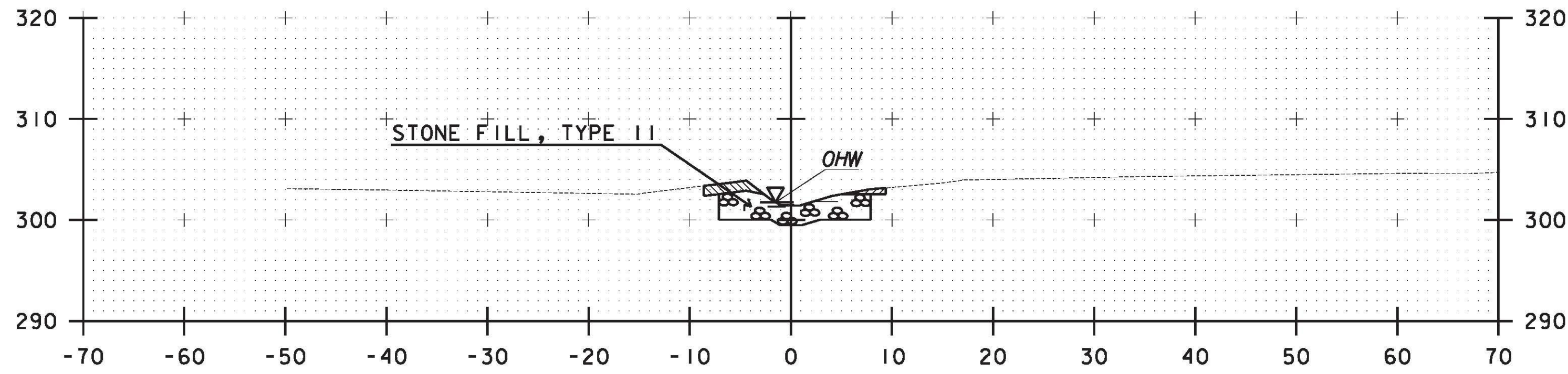
FILE NAME = V:\Projects\161\161\BRIDGE\WORK\161\161\BRIDGE DESIGN\96092_culv.cs_l.dgn
 DATE/TIME = 10/16/2012
 USER = 3293



400+20

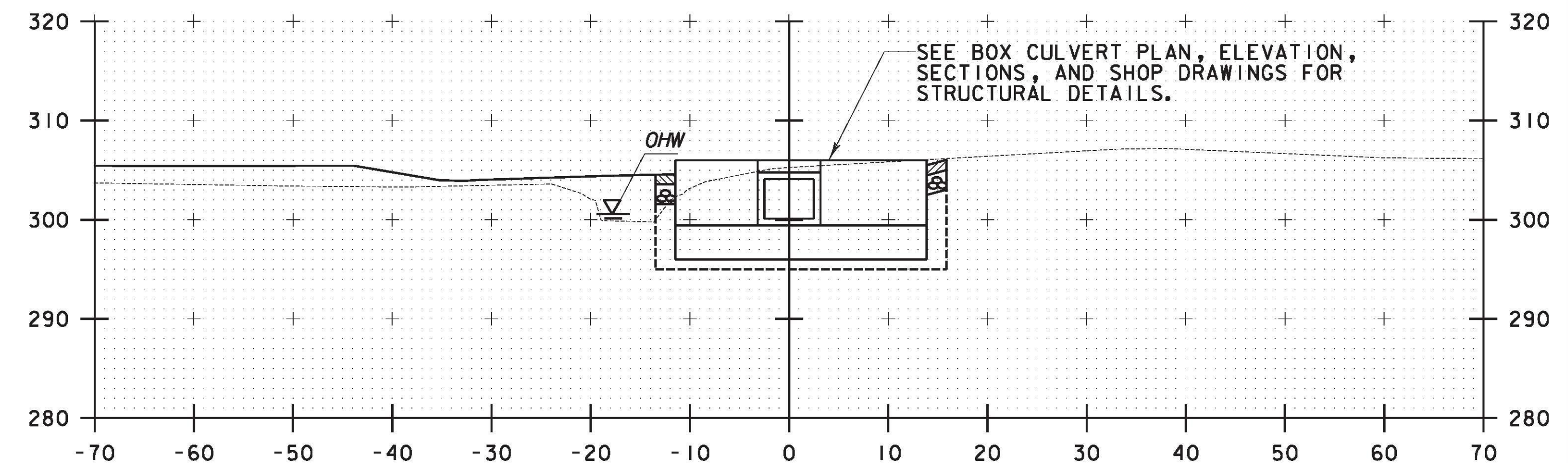


400+10



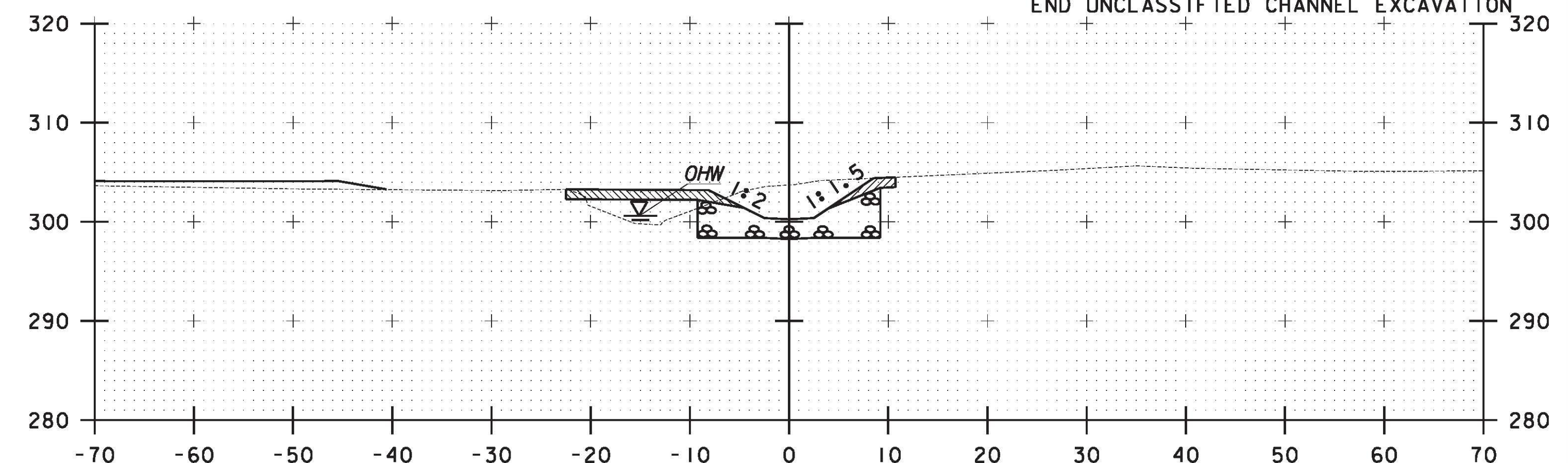
400+00

STA. 400+00.0 @
 BEGIN UNCLASSIFIED CHANNEL EXCAVATION
 BEGIN STONE FILL, TYPE II
 BEGIN GRUBBING MATERIAL

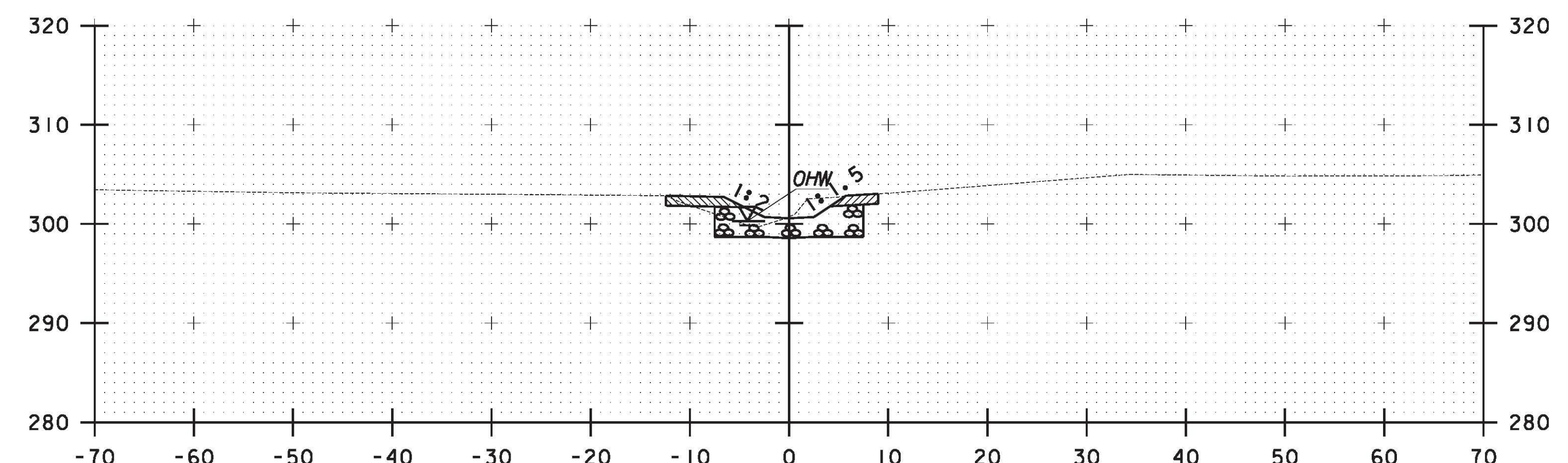


400+45.3
 STA. 400+45.3 @
 STA. 400+45.3 @
 BEGIN NEW 5' X 4'
 PRECAST BOX CULVERT

STA. 400+45.3 @
 BEGIN STRUCTURE EXCAVATION
 END STONE FILL, TYPE II
 END GRUBBING MATERIAL
 END UNCLASSIFIED CHANNEL EXCAVATION

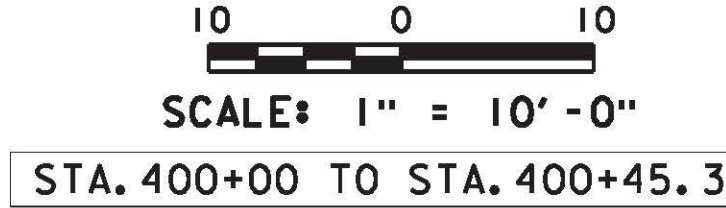


400+40



400+30

BOX CHANNEL SECTIONS



BOX CULVERT CHANNEL SECTIONS (1 OF 4)	PROJECT NAME: RICHMOND	PLOT DATE: 10/16/2012
	PROJECT NUMBER: STP-RS 0284(III)	DRAWN BY: PKR
	FILE NAME: z90c092_culv_cs_l.dgn	CHECKED BY: VC/KM
	PROJECT LEADER: DJV	SHEET 1 OF
DESIGNED BY: IJ/RDH		
DWG. NO.: CSI		