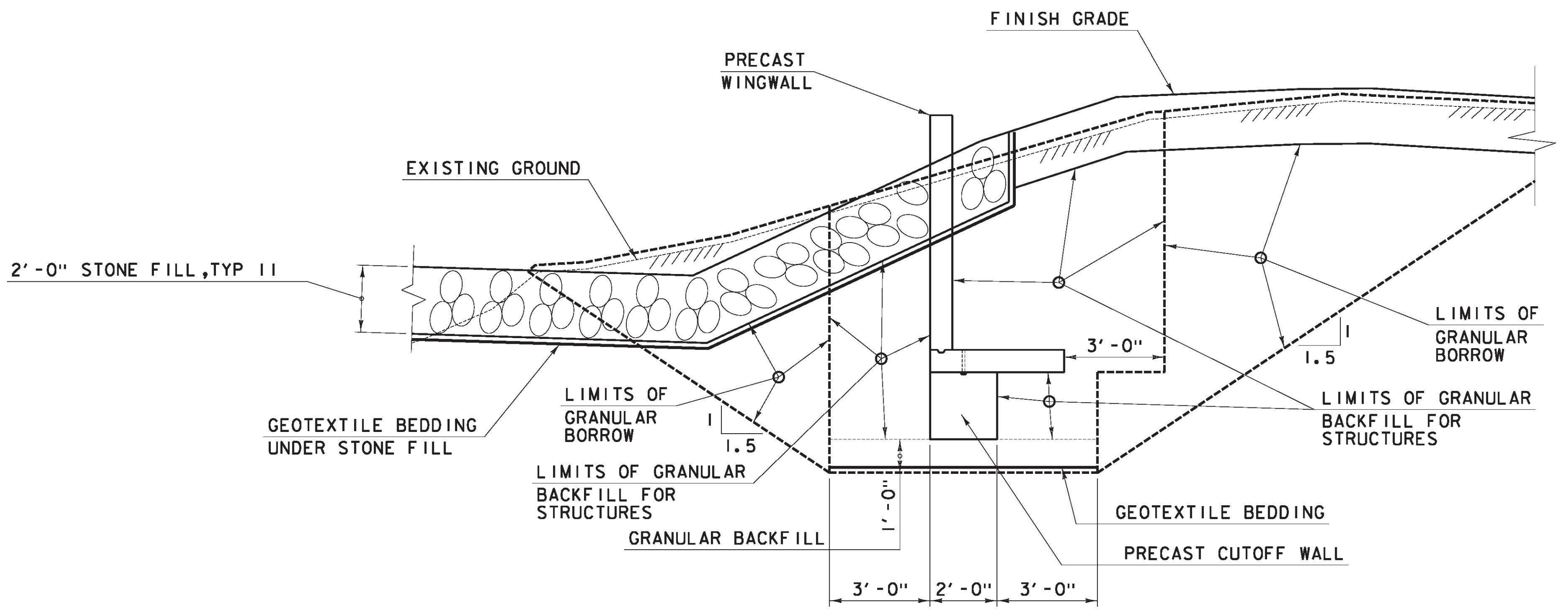


SEE TYPICAL SECTIONS ON
WBS 1-14 ROADWAY DESIGN
DRAWINGS FOR INFORMATION
ABOUT ASPHALT, BASE COURSE,
SUBBASE AND SUBGRADE

TYPICAL BOX CULVERT SECTION
NTS



TYPICAL BOX CULVERT SECTION A-A
NTS

**BOX CULVERT
SECTIONS
(1 OF 2)**

| | |
|-----------------|-----------------------|
| PROJECT NAME: | RICHMOND |
| PROJECT NUMBER: | STP-RS 0284(III) |
| FILE NAME: | z90c092 culv-dt11.dgn |
| PROJECT LEADER: | DJV |
| DESIGNED BY: | IJJ |
| DWG. NO.: | BC2 |
| PLOT DATE: | 10/16/2012 |
| DRAWN BY: | PKR |
| CHECKED BY: | VC/KM |
| SHEET | 3 OF 6 |

FILE NAME = V:\AP\projects\AM\K2\22076\CA00\INSTN\BRIDGE WORK\WBS (1-16) BRIDGE DESIGN\96a092_culv-dt1.dgn
DATE/TIME = 10/16/2012
USER = 3253