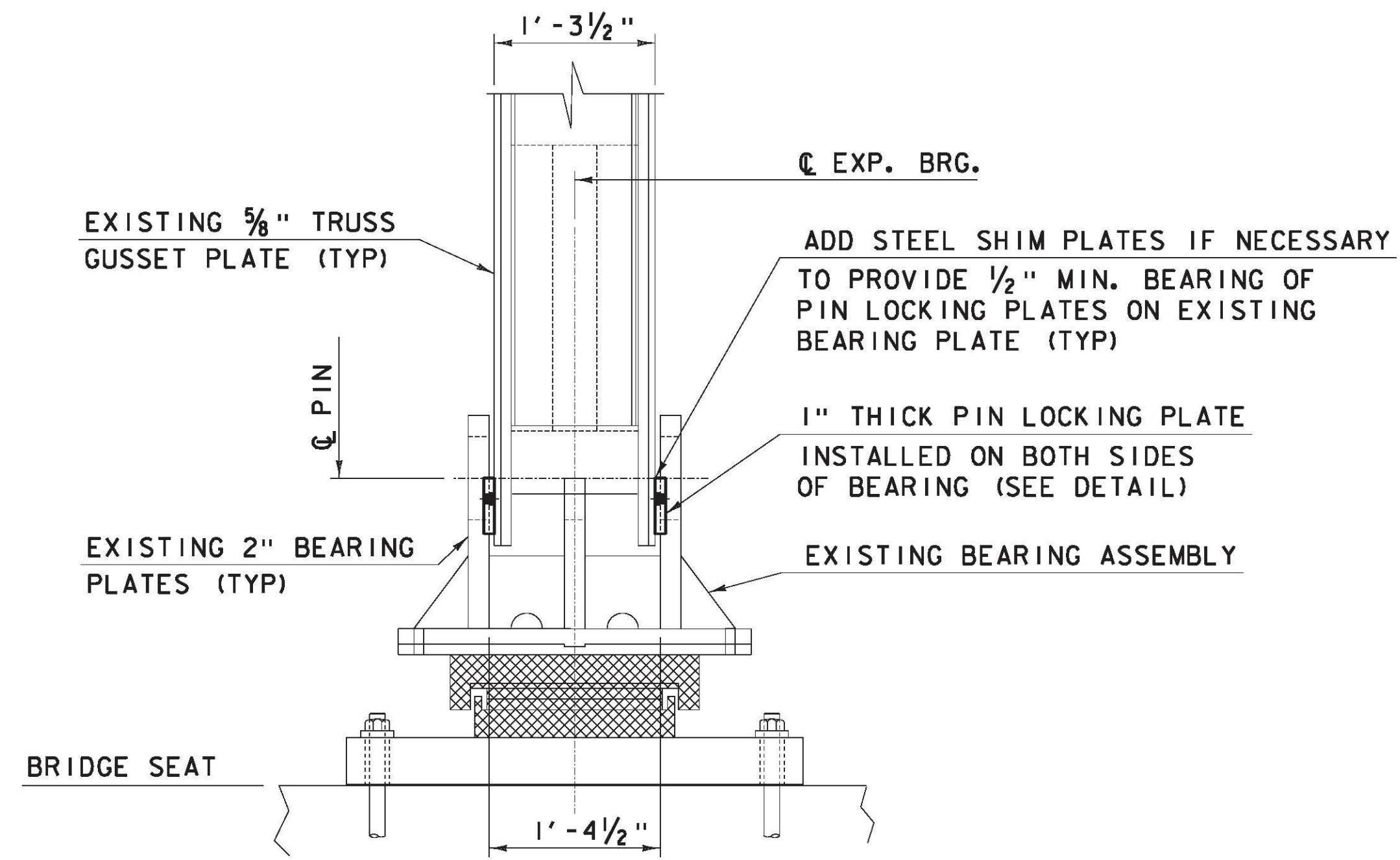
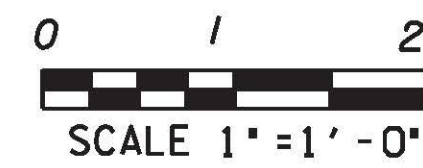
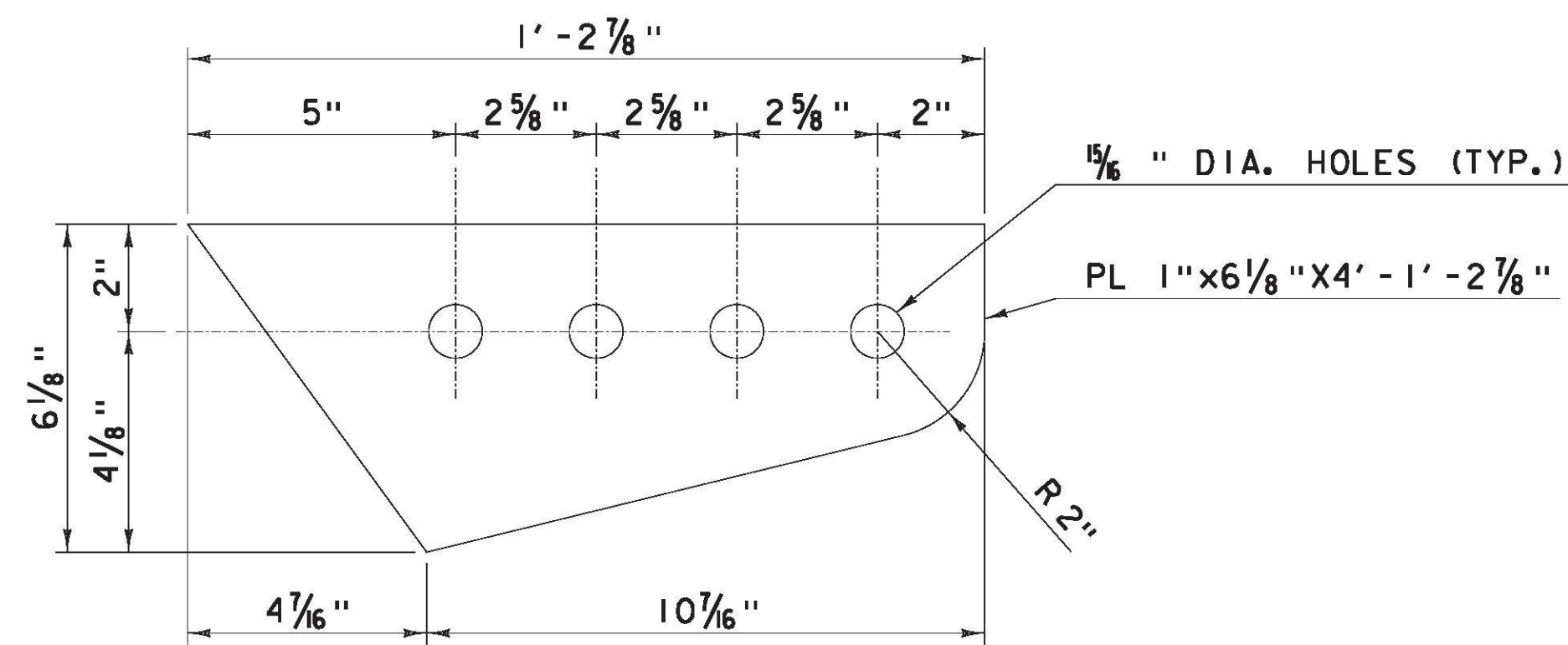
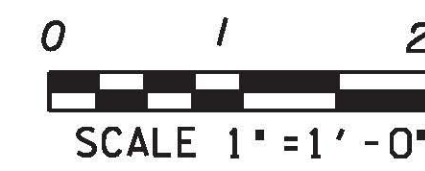


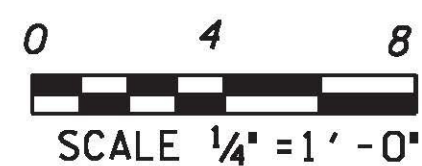
TRUSS BEARING PIN LOCK-UP ELEVATION
(EXPANSION BEARING SHOWN, FIXED SIMILAR - 4 LOCATIONS TYPICAL)



FRONT ELEVATION EXPANSION BEARING



PIN LOCKING PLATE DETAIL



NOTES:

- CONTRACTOR SHOULD USE THE PIN LOCKING PLATE AS A TEMPLATE TO FIELD DRILL HOLES IN THE EXISTING PIN PLATES.

TRUSS PIN LOCKING DETAIL	PROJECT NAME: RICHMOND	
	PROJECT NUMBER: STP-RS 0284(III)	
	FILE NAME: z90c092 pin lock dtl.dgn	PLOT DATE: 3/14/2013
	PROJECT LEADER: DJV	DRAWN BY: SS
DESIGNED BY: RDH	CHECKED BY: VC	
DWG. NO.: PL 1	SHEET X OF X	