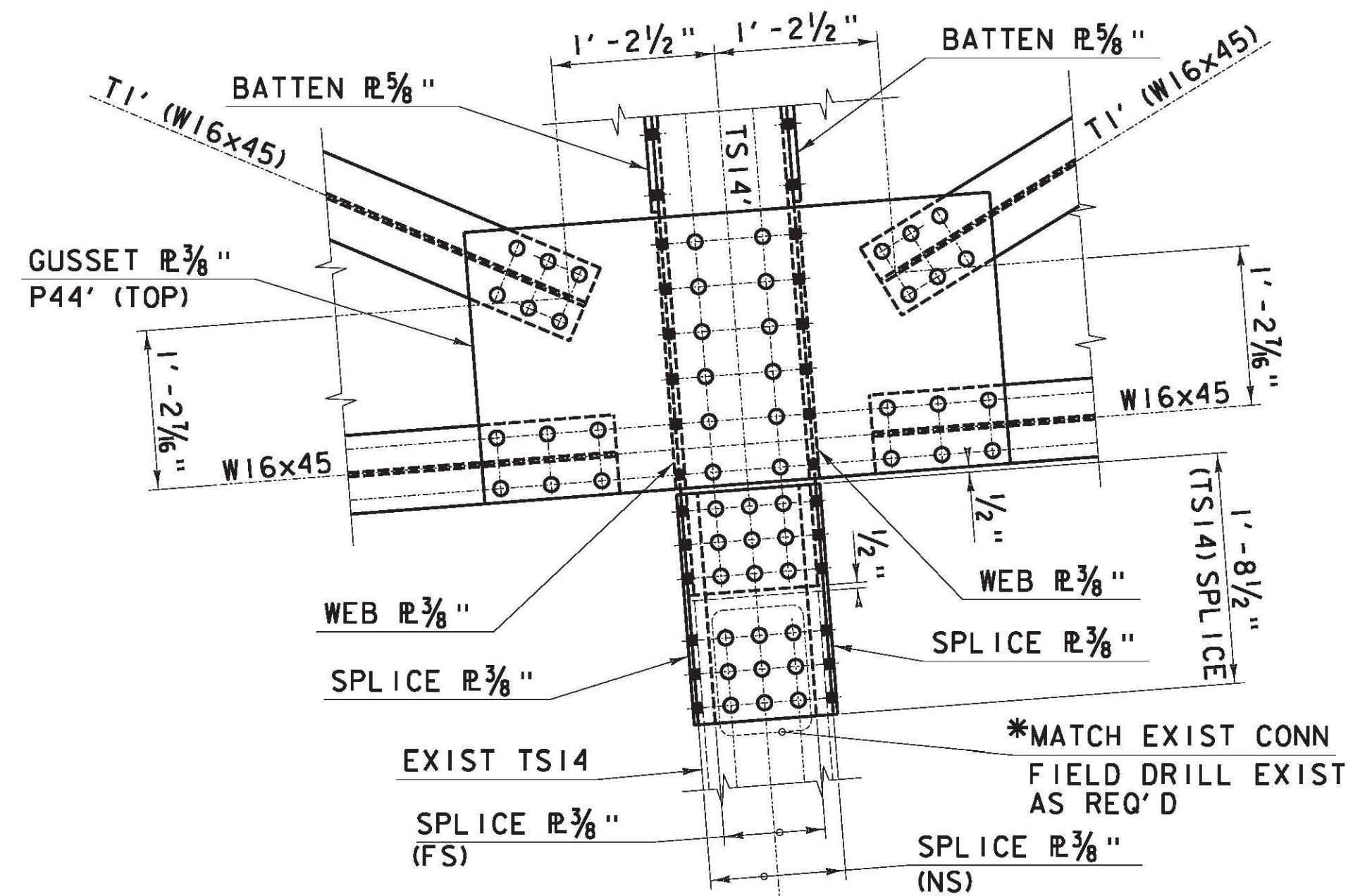
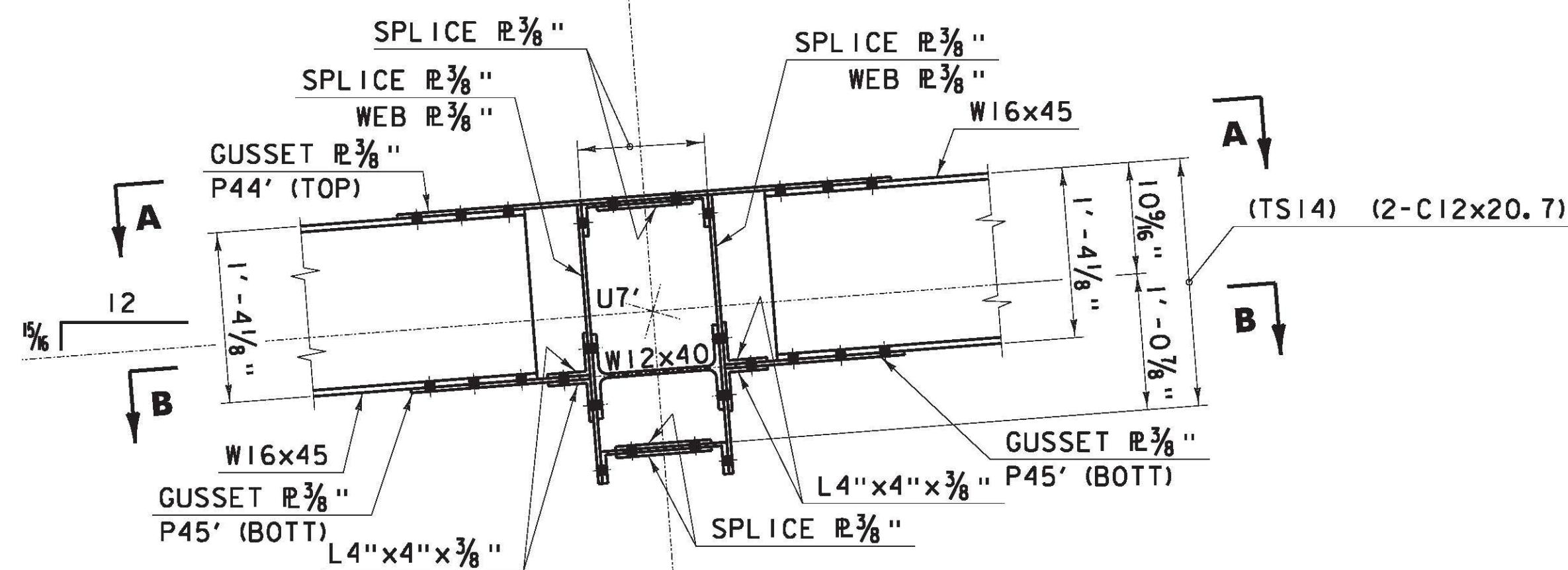


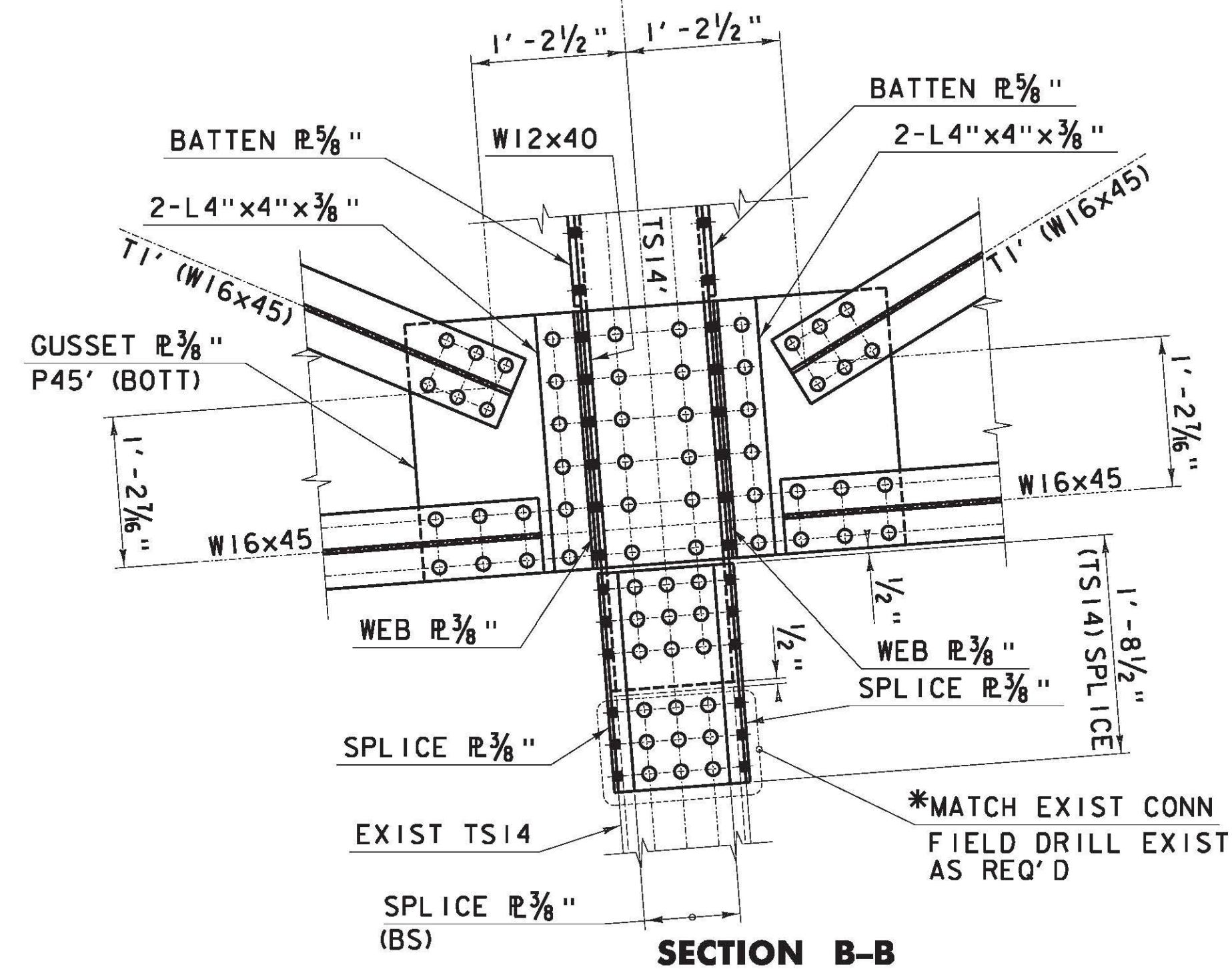
FILE NAME = V:\AP\projects\161\161\BRIDGE\WORK\161\161 BRIDGE DESIGN\161\161.dwg
 DATE/TIME = 3/14/2013
 USER = 3253



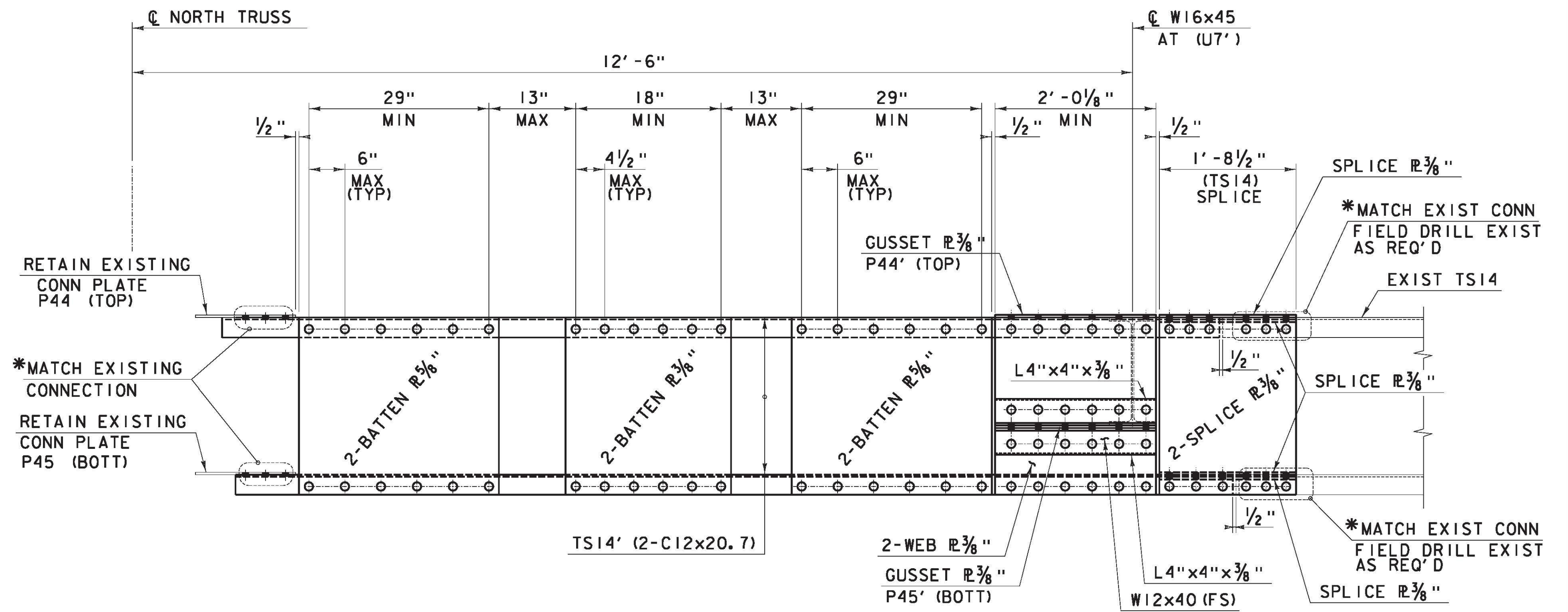
SECTION A-A



SECTION B-B
 (SHOWN IN POSITION)



SECTION C-C



CONNECTION DETAIL (TS14')

- NOTES:**
- FOR FRAMING PLAN AND SECTIONS, SEE DWG NO ST1 & ST15.
 - FOR ADDITIONAL INFORMATION, SEE SHEET E1, 1, 2, 4, 5, 6, 11, 16, 19 & 20 FROM THE 1929 FABRICATION DRAWINGS.
 - MEMBER DESIGNATIONS TAKEN FROM 1929 FABRICATION DRAWINGS
- * -SEE CONNECTION INSTALLATION METHODS, DWG S2.

CONNECTION DETAIL AT U7'

PROJECT NAME: RICHMOND
 PROJECT NUMBER: STP-RS 0284(III)
 FILE NAME: 02A014.dgn
 PROJECT LEADER: DJV
 DESIGNED BY: RH
 DWG. NO.: ST17

PLOT DATE: 3/14/2013
 DRAWN BY: PKR
 CHECKED BY: VC/KM
 SHEET X OF X

