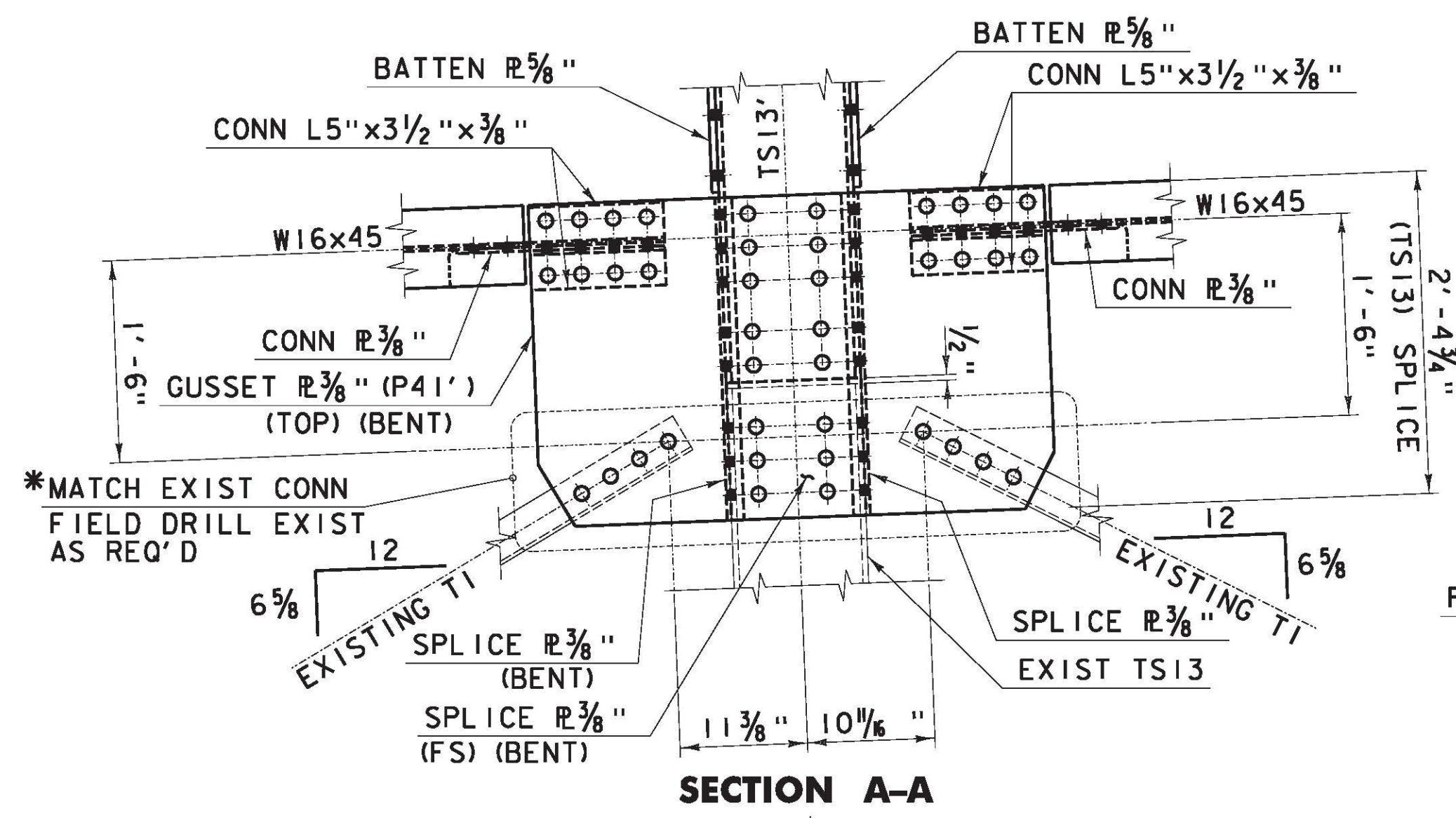
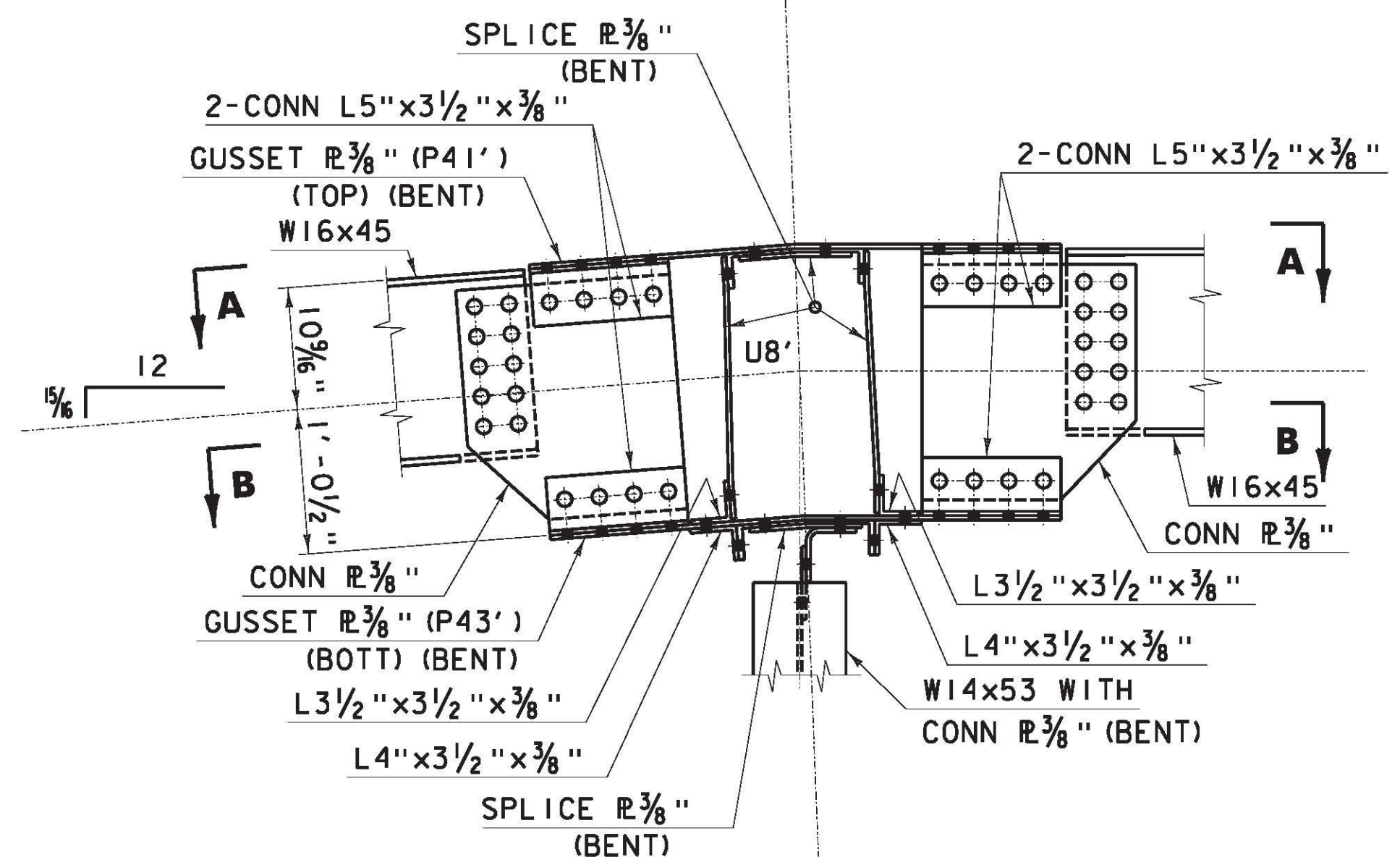


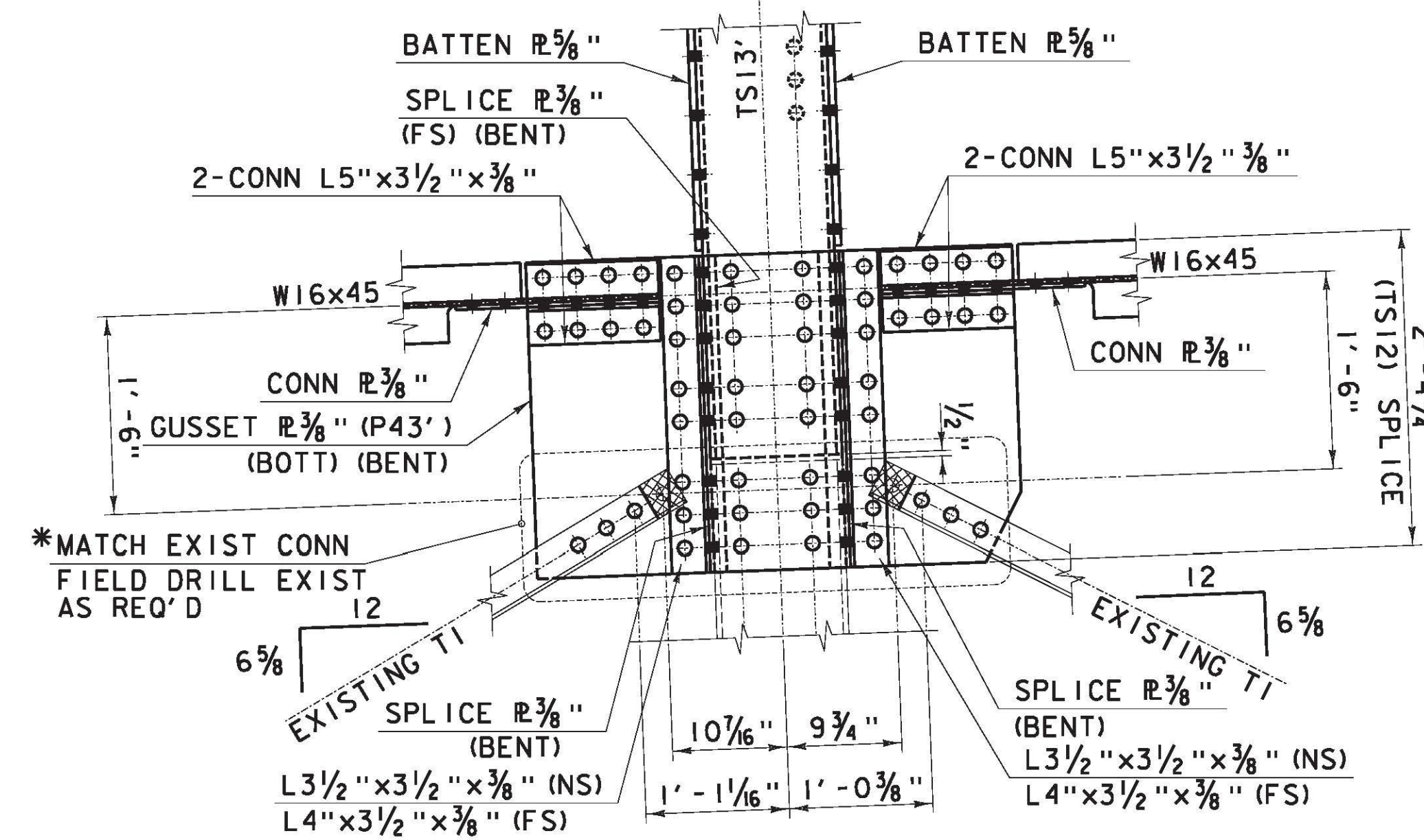
FILE NAME = V:\P\Projects\161\BRIDGE\BRIDGE WORK\161\BRIDGE DESIGN\161\960892_top_let.dwg
 DATE/TIME = 3/14/2013
 USER = 3253



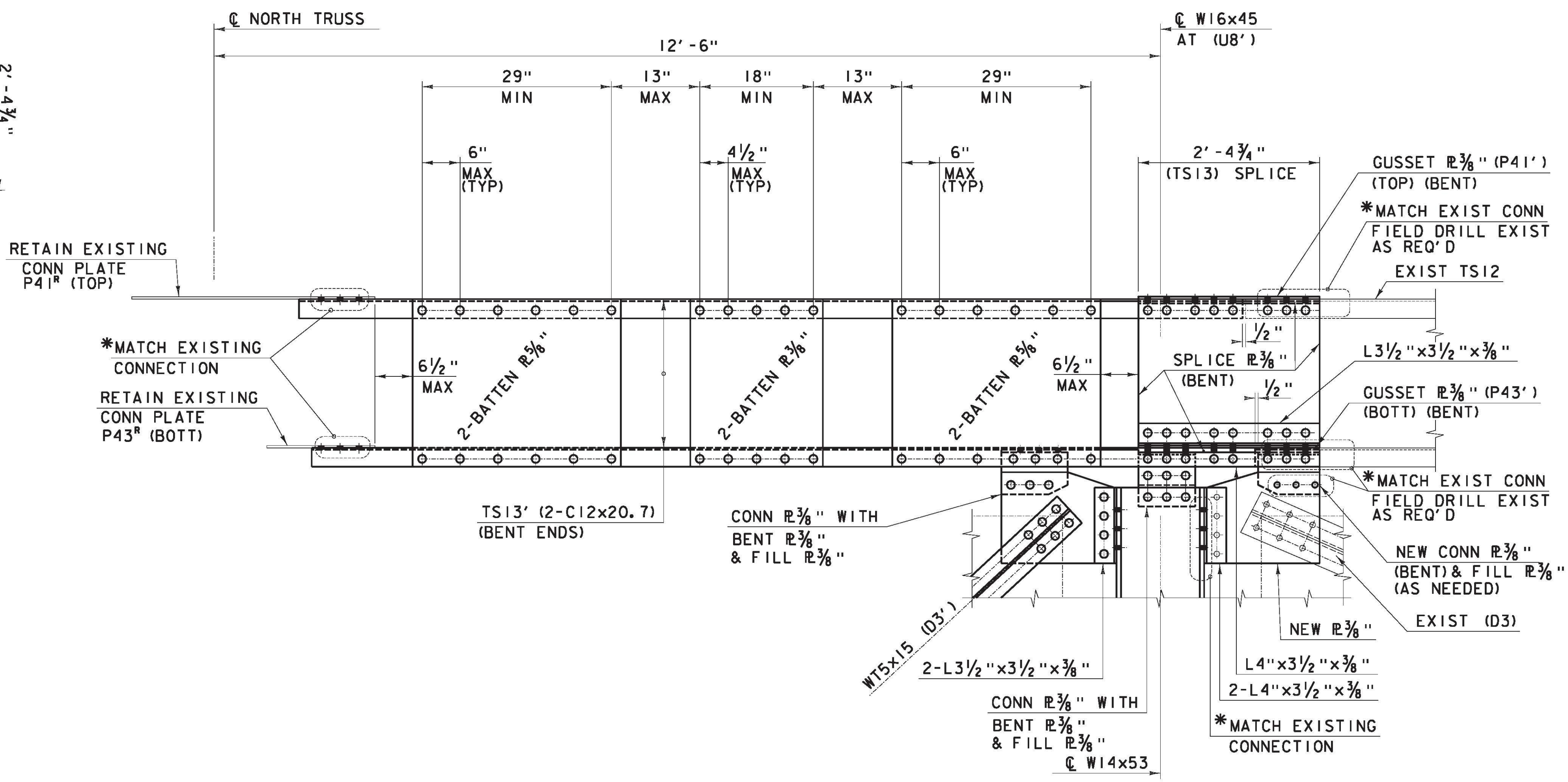
SECTION A-A



A CONNECTION DETAIL (U8')
(SHOWN IN POSITION)

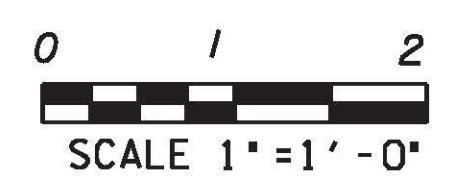


SECTION B-B



B CONNECTION DETAIL (TS13')

- NOTES:**
- FOR FRAMING PLAN AND SECTIONS, SEE DWG NO ST1 & ST15.
 - FOR ADDITIONAL INFORMATION, SEE SHEET E1, 1, 2, 4, 5, 6, 11, 16, 19 & 20 FROM THE 1929 FABRICATION DRAWINGS.
 - MEMBER DESIGNATIONS TAKEN FROM 1929 FABRICATION DRAWINGS.
- * -SEE CONNECTION INSTALLATION METHODS, DWG S2.
 [Hatched Box] -PARTIAL REMOVAL OF EXISTING MEMBER. REMOVE EXISTING MEMBER AS SHOWN, CLIP AS REQUIRED.



CONNECTION DETAIL AT U8'	PROJECT NAME: RICHMOND	PROJECT NUMBER: STP-RS 0284(II)
	FILE NAME: 02A014.dgn	PROJECT LEADER: DJV
	DESIGNED BY: RH	DWG. NO.: ST16
		PLOT DATE: 3/14/2013
		DRAWN BY: PKR
		CHECKED BY: VC/KM
		SHEET X OF X