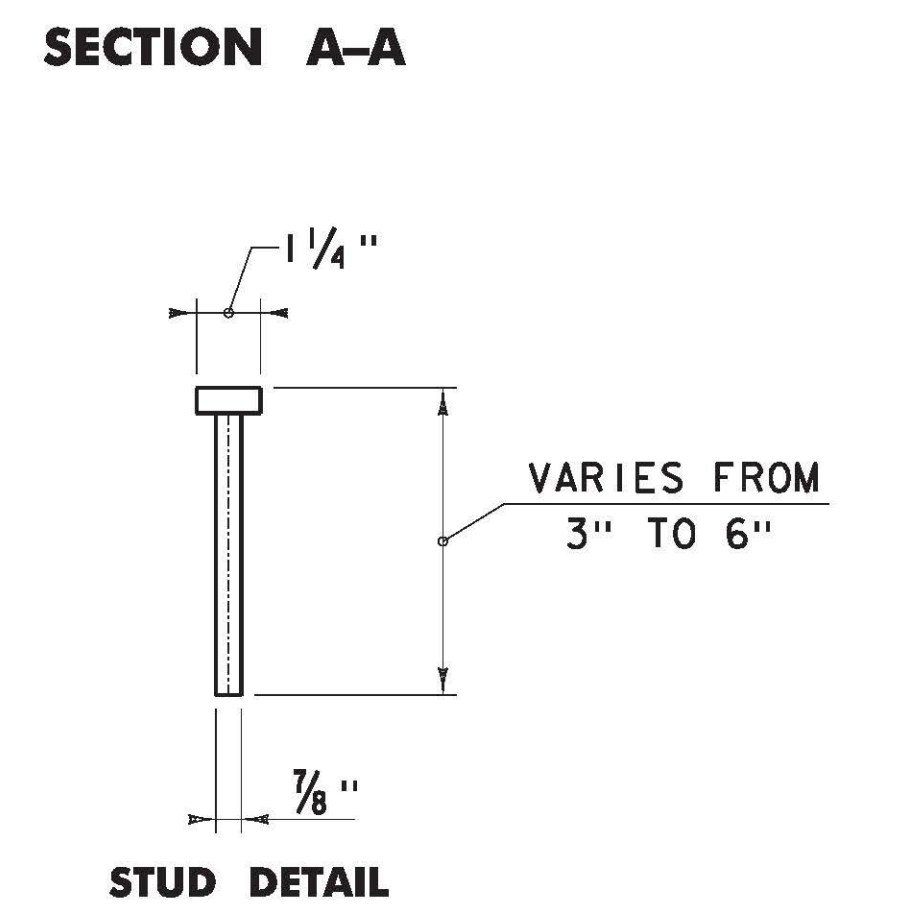
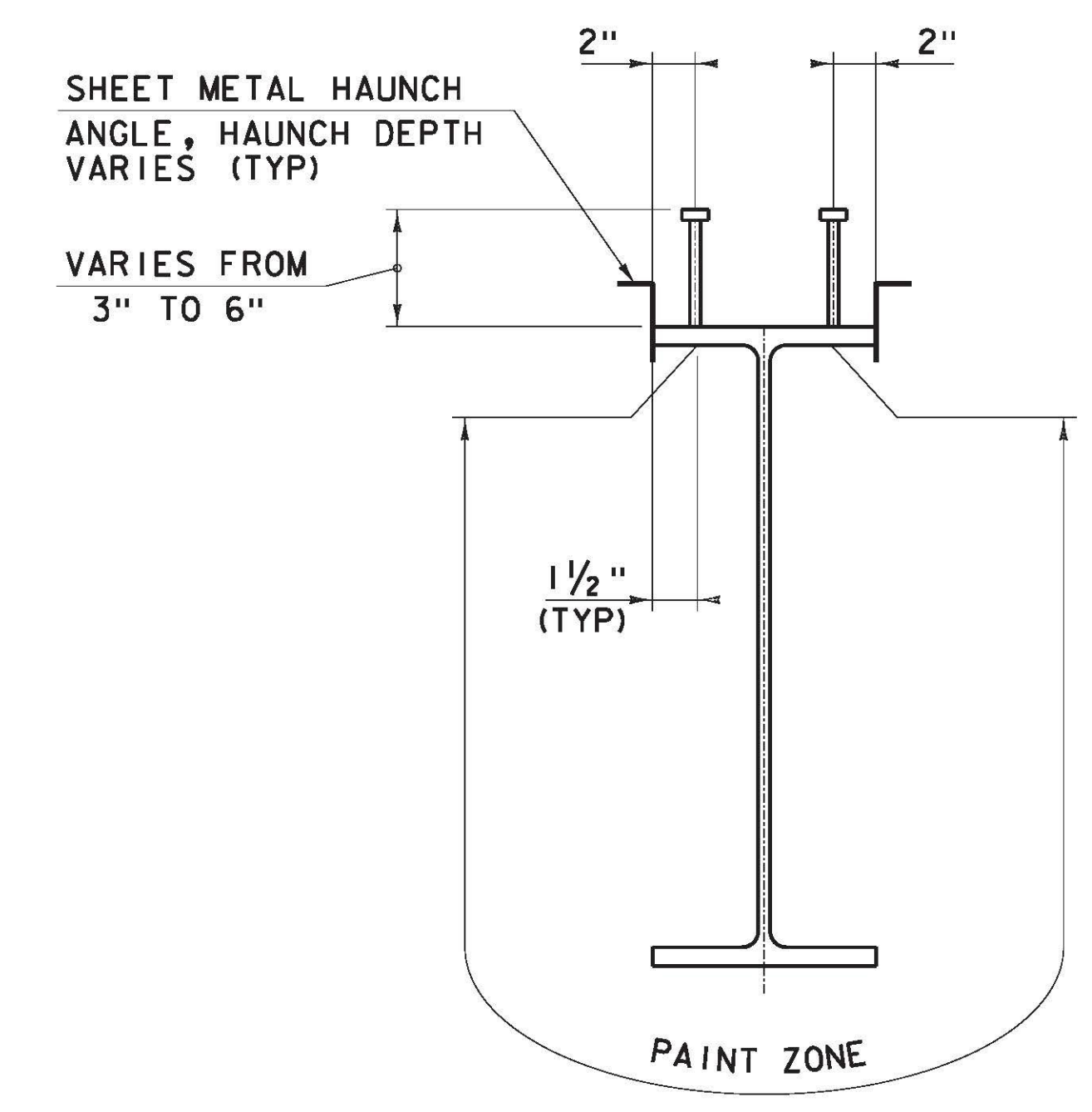
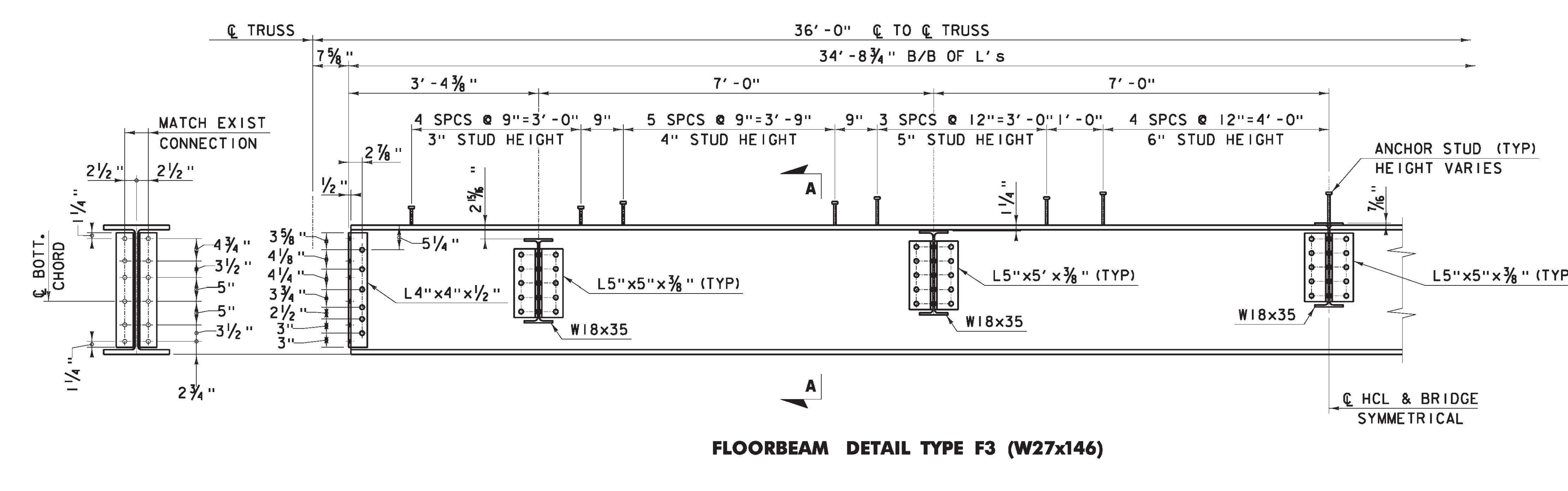
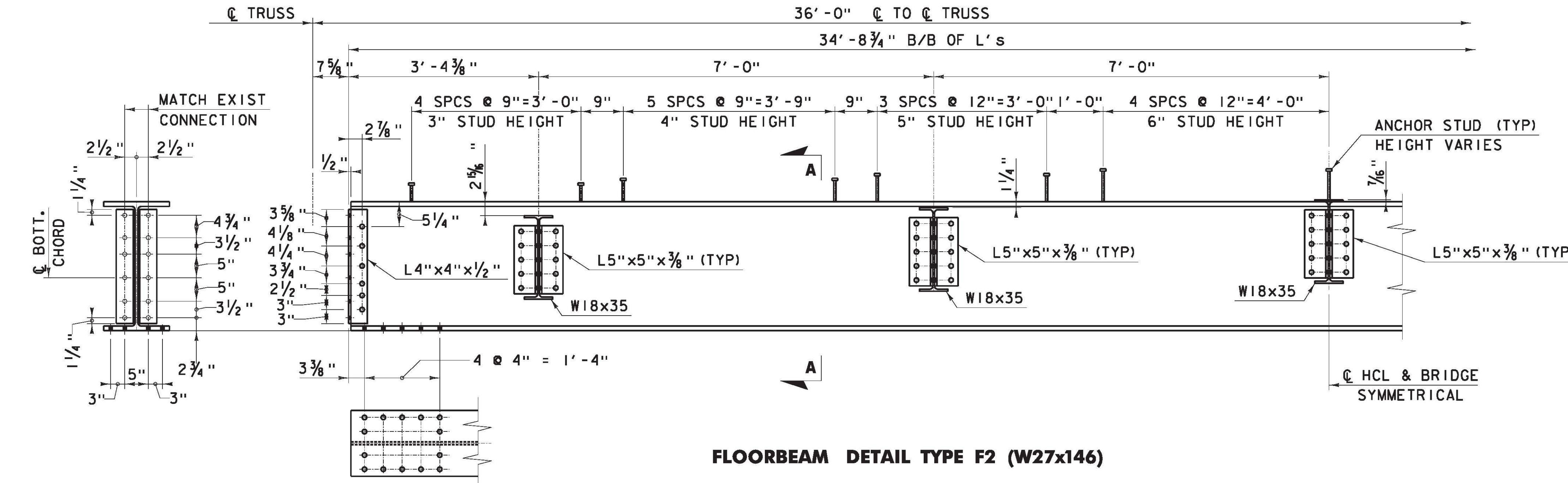
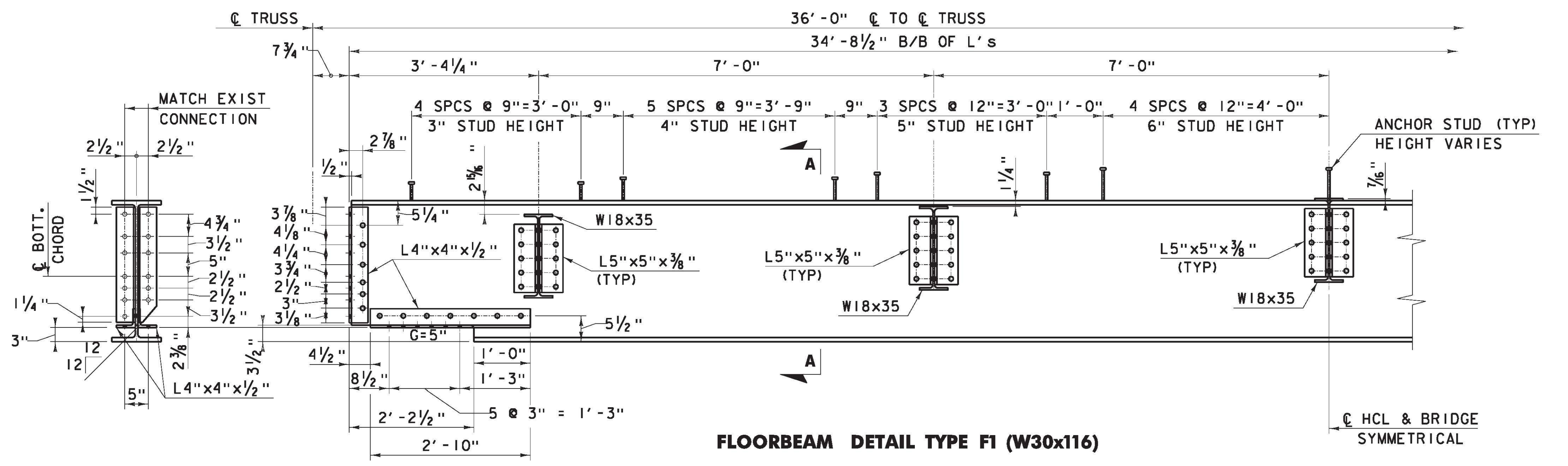


FILE NAME = V:\AP\projects\161\BRIDGE\WORK\161\BRIDGE DESIGN\161\BRIDGE DETAIL.dwg
 DATE/TIME = 3/14/2013
 USER = 3253



DEFLECTION TABLE

MEMBER	DEFLECTION
END FLOORBEAM	3/16"
INTERIOR FLOORBEAM	5/16"

NOTE:
 DEFLECTIONS TAKEN AT MIDPOINT OF MEMBER,
 DECK + SUPERIMPOSED DEAD LOAD ONLY.

NOTES:
 1. FABRICATE FLOORBEAMS WITH NATURAL MILL CAMBER UP.

FLOORBEAM DETAILS	PROJECT NAME: RICHMOND	
	PROJECT NUMBER: STP-RS 0284(III)	
FILE NAME: z90c092_flrbm_dtl.dwg	PROJECT LEADER: DJV	PLOT DATE: 3/14/2013
DESIGNED BY: CTA/DJV	CHECKED BY: VC/KM	DRAWN BY: PKR
DWG. NO.: ST2	SHEET X OF X	