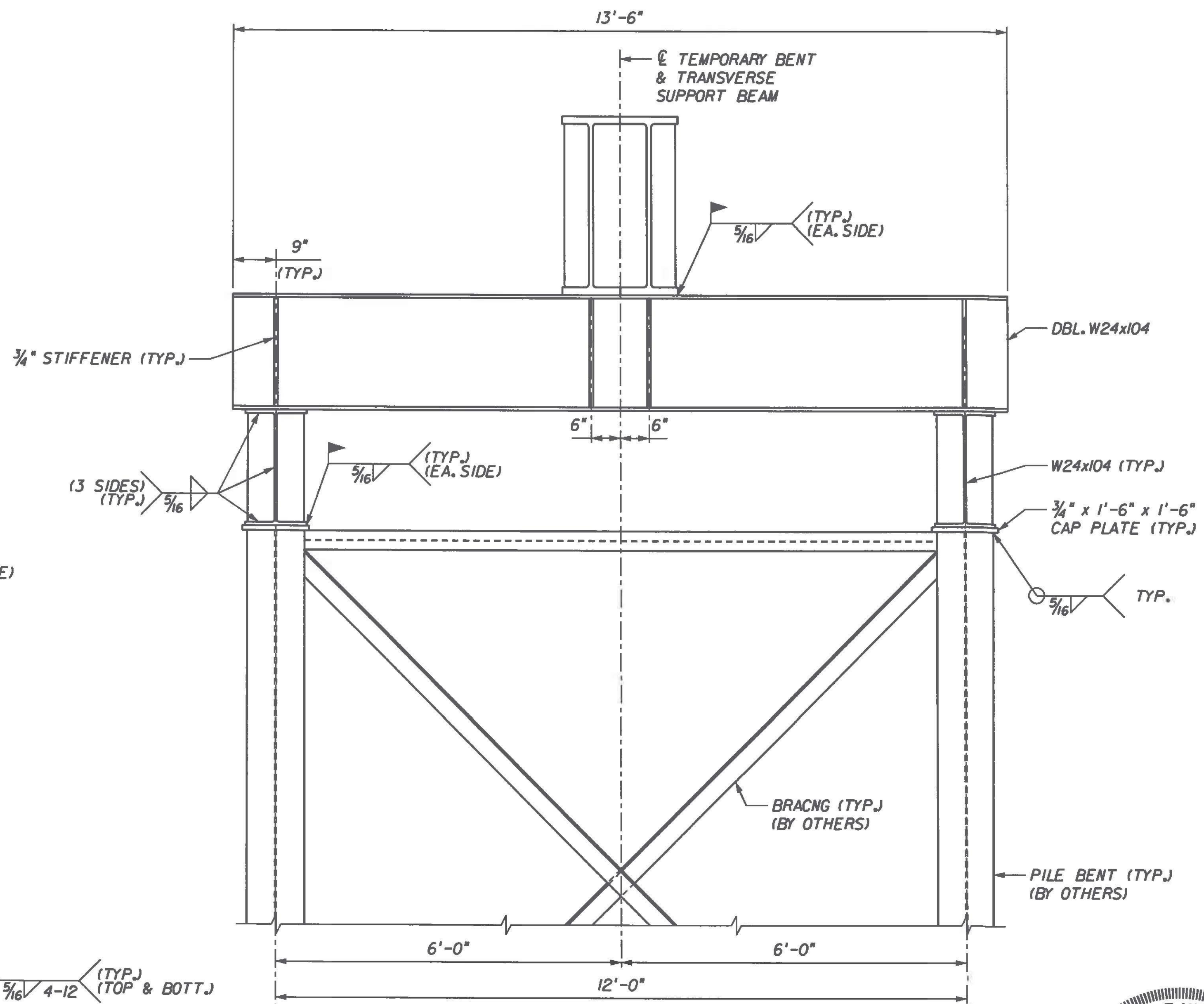
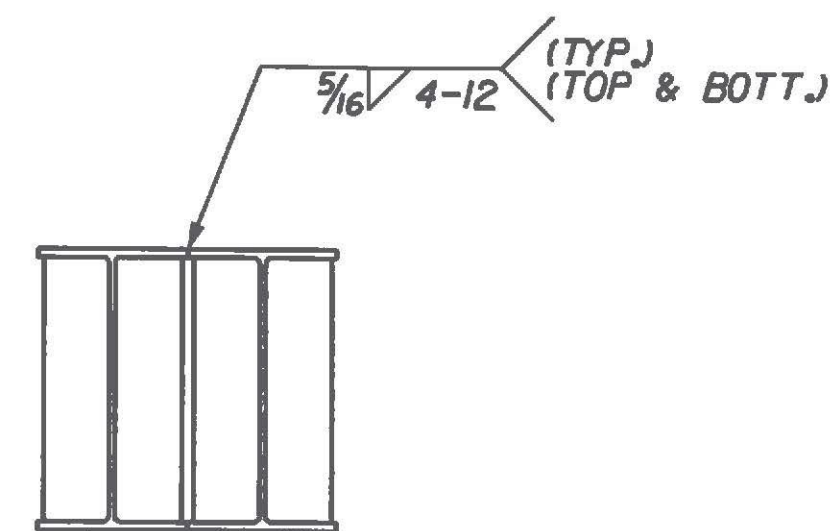


CROSS SECTION



SECTION A-A



DBL W24x104 STITCH DETAIL



NOTES:

1. PILE SIZE, ORIENTATION, AND EMBEDMENT HAS BEEN DESIGNED BY OTHERS.

Revision	Drawn By	Date	Description	Revision	Drawn By	Date	Description	Drawn By	Name	Date	Project	Title	Sheet No.
1	JLB	04/24/12	Replaced Bent Details Sheet.					JLB	JLB	01/12	RICHMOND TRUSS WIDENING	TEMPORARY BENT DETAILS	27
								NMC	NMC	01/12	STATE OF VERMONT AGENCY OF TRANSPORTATION		
								JMP	JMP	01/12	CHITTENDEN COUNTY		
											U.S. ROUTE 2 BRIDGE NO. 24		