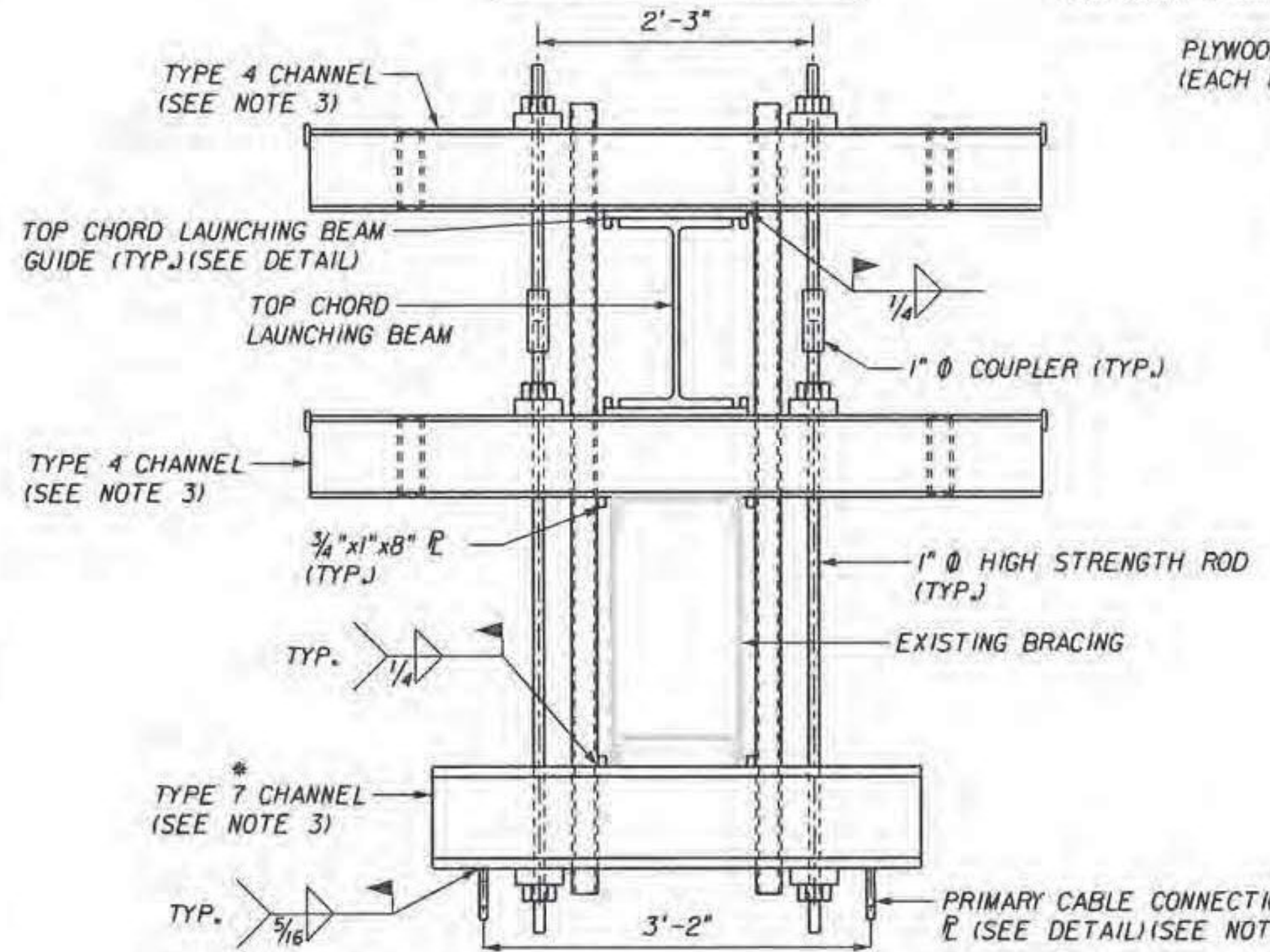
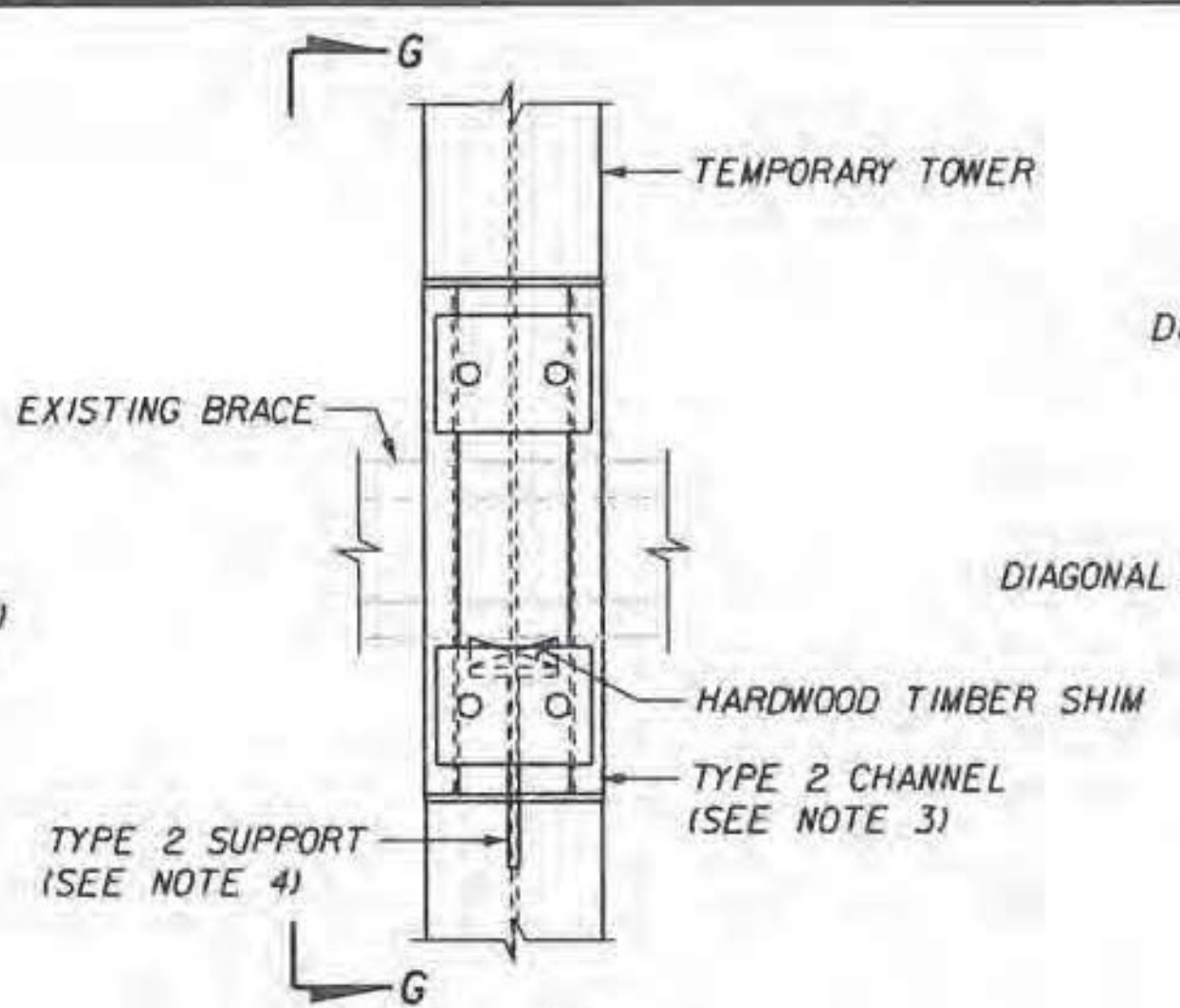


CONNECTION "D" DETAIL

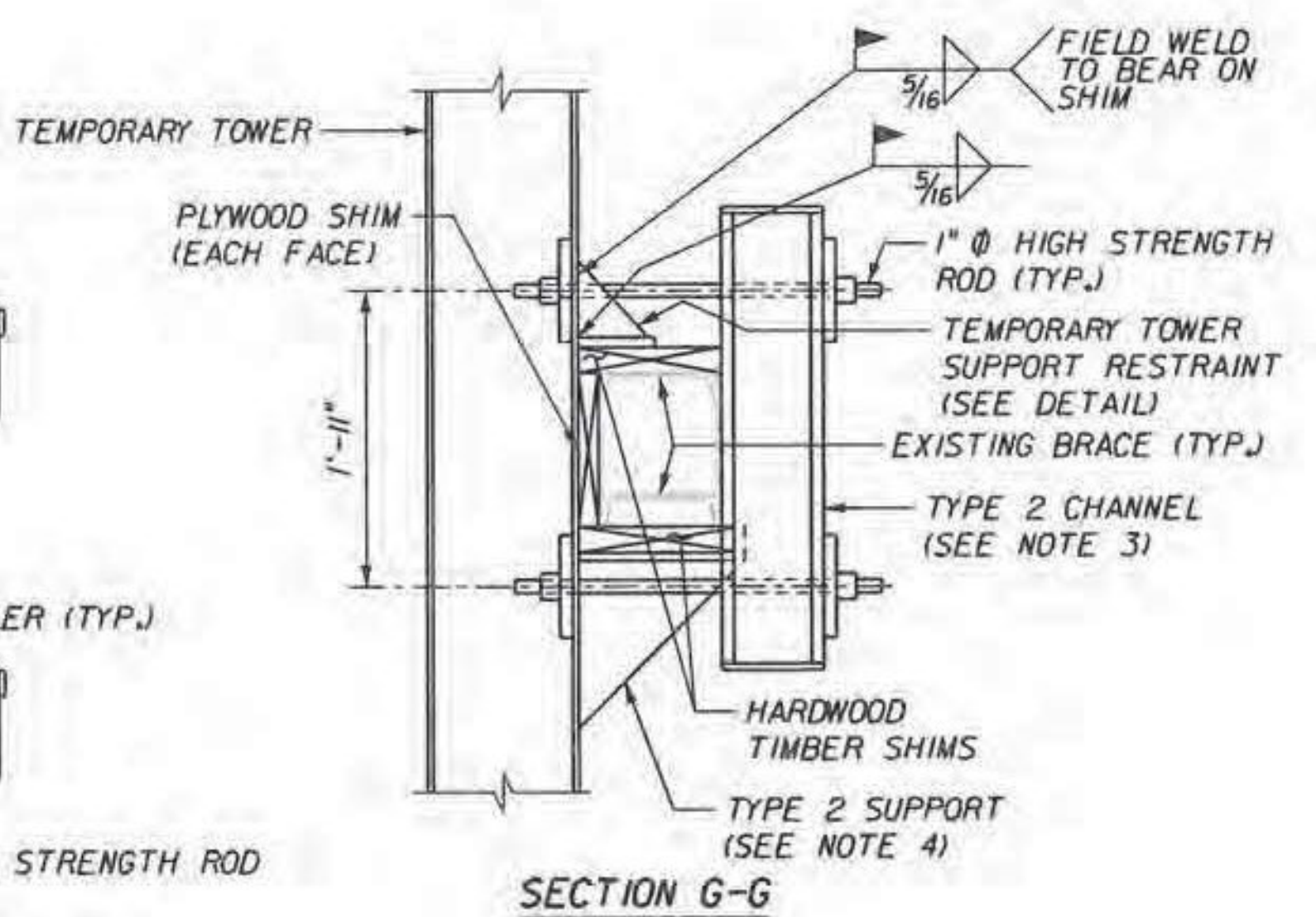


SECTION F-F

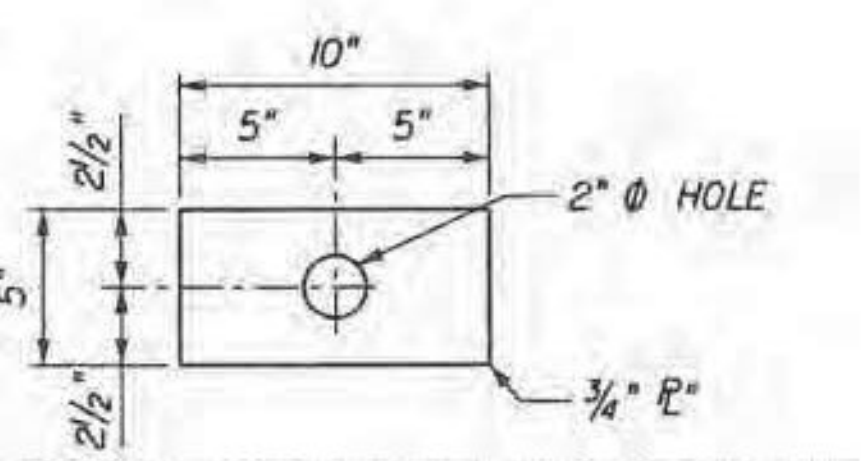
\* TEMPORARY TOP CHORD CONNECTOR PLATES NOT REQUIRED AT THIS LOCATION.



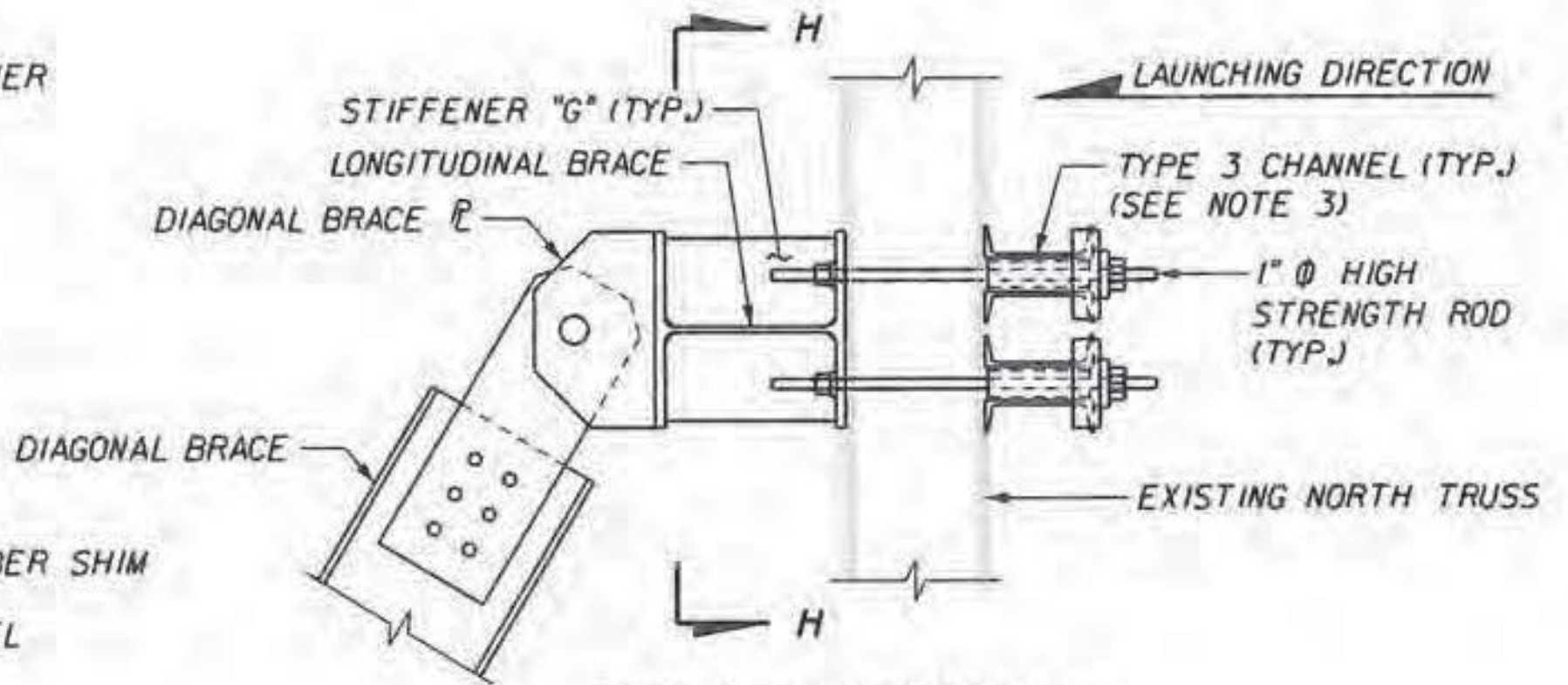
CONNECTION "E" DETAIL



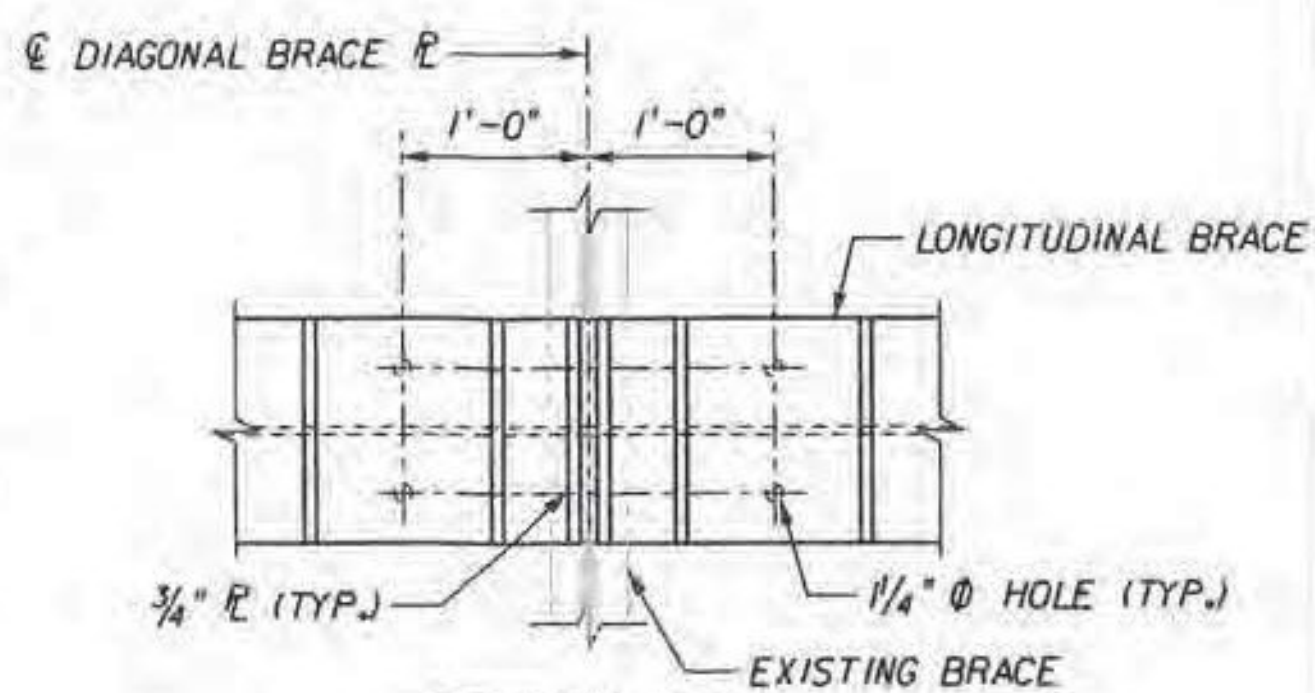
SECTION G-G



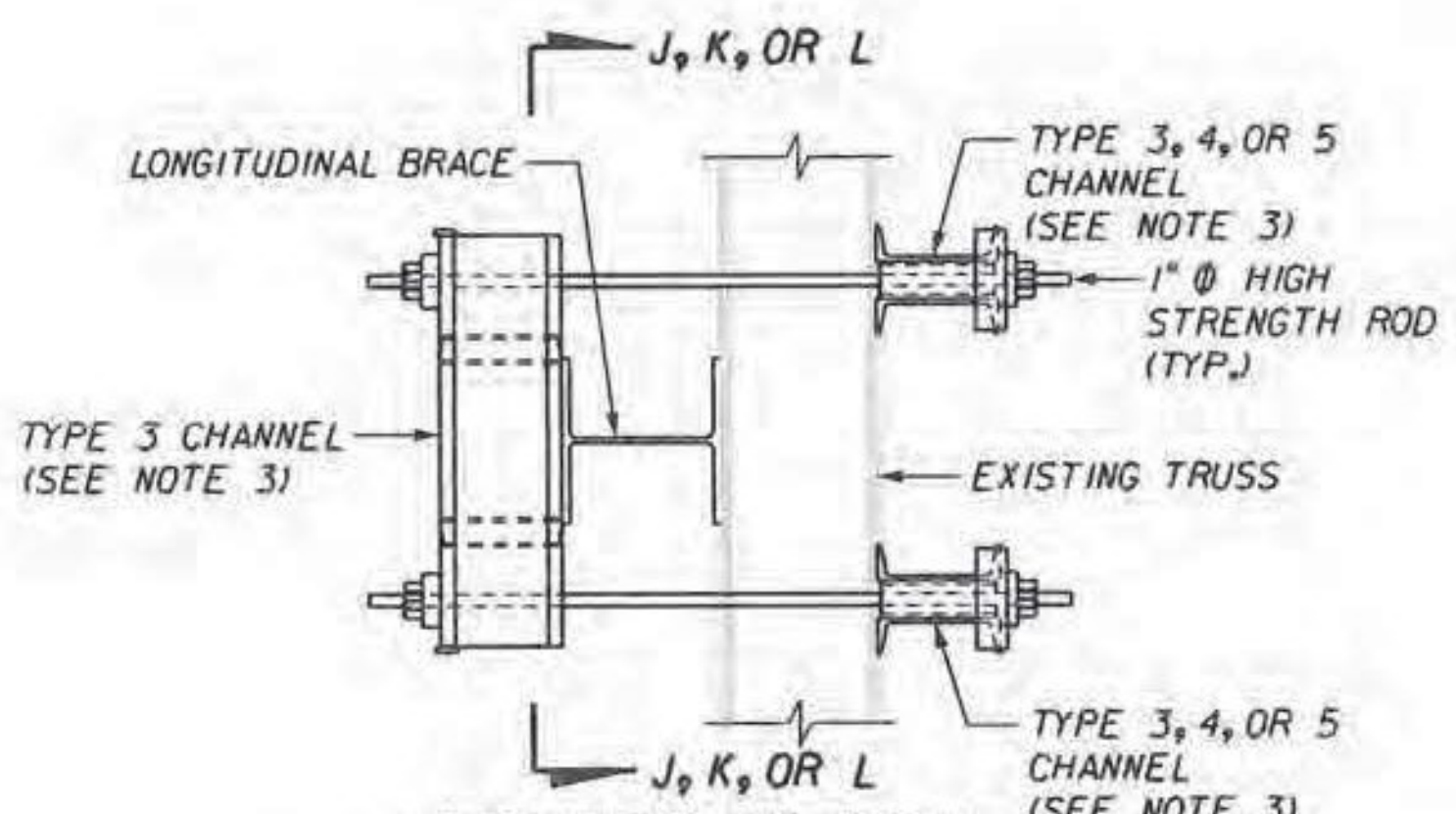
PRIMARY CABLE CONNECTION PLATE DETAIL



CONNECTION "F" DETAIL  
(CONNECTION AT DIAGONAL BRACE)



SECTION H-H



CONNECTION "F" DETAIL  
(CONNECTIONS BETWEEN DIAGONAL BRACE)

NOTES:

1. FOR LOCATIONS OF CONNECTIONS "D", SEE "TOP CHORD LAUNCHING BEAM TYPICAL SECTION" SHEET.
2. FOR LOCATION OF CONNECTIONS "E" AND "F", SEE "TRANSVERSE SUPPORT BEAM TYPICAL SECTION" SHEET.
3. FOR TYPICAL CHANNEL DETAILS, SEE "CHANNEL DETAILS" SHEET.
4. FOR TYPE 2 SUPPORT DETAILS, SEE "TEMPORARY TOWER DETAILS" SHEET.
5. FOR DIAGONAL BRACE AND C I DETAILS, SEE "MEMBER DETAILS (4 OF 4)" SHEET.
6. FOR STIFFENER "G" DETAILS, SEE "MEMBER DETAILS (1 OF 4)" SHEET.
7. FOR SECTIONS J-J, K-K, AND L-L, SEE "CONNECTION DETAILS (3 OF 3)" SHEET.
8. FOR "TEMPORARY TOWER SUPPORT RESTRAINT DETAIL", SEE "CONNECTION DETAILS (1 OF 3)" SHEET.
9. FOR PRIMARY CABLE CONNECTION, SEE "CABLE DETAILS" SHEET.
10. FOR TOP CHORD LAUNCHING BEAM GUIDE DETAIL, SEE "CONNECTION DETAILS (1 OF 3)" SHEET.
11. FOR DIAGONAL BRACE PLATE DETAIL, SEE "MEMBER DETAILS (2 OF 4)" SHEET.



Revision	Drawn By	Date	Description	Revision	Drawn By	Date	Description	Name	Date	Project	Title	Sheet No.	
								Drawn By:	BAB	01/12	RICHMOND TRUSS WIDENING STATE OF VERMONT AGENCY OF TRANSPORTATION CHITTENDEN COUNTY U.S. ROUTE 2 BRIDGE NO. 24	CONNECTION DETAILS (2 OF 3)	
							Designed By:	NMC	01/12				
							Approved By:	JMP	01/12				