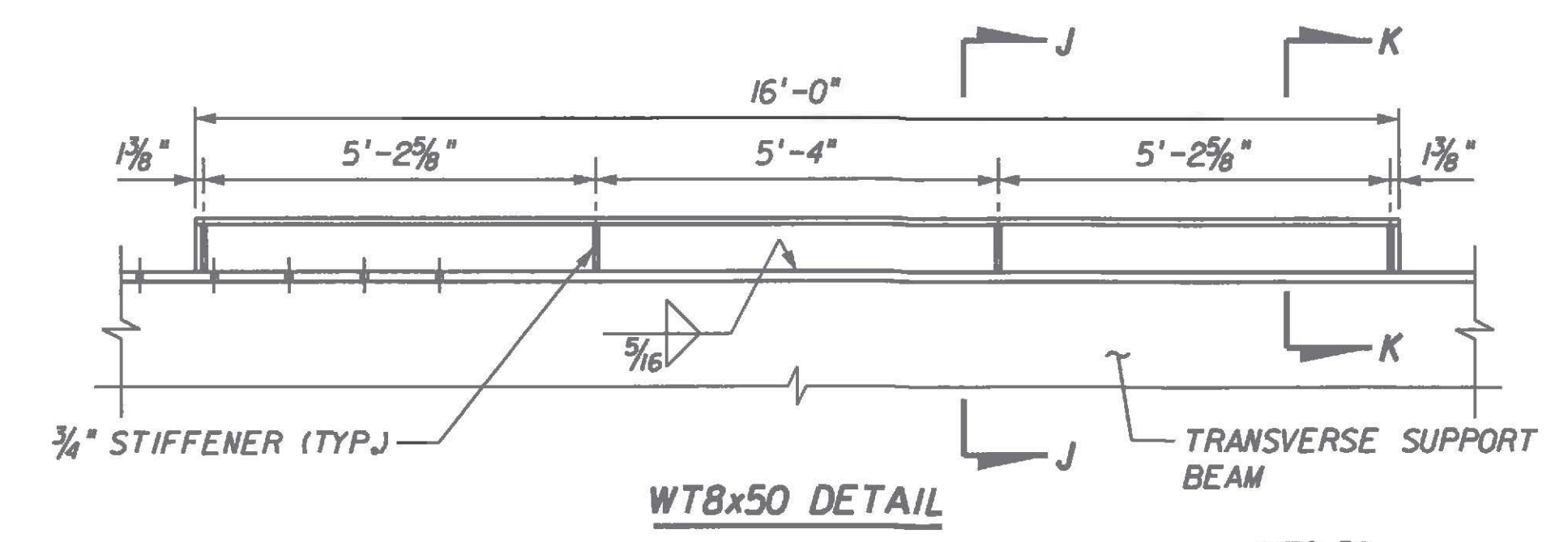
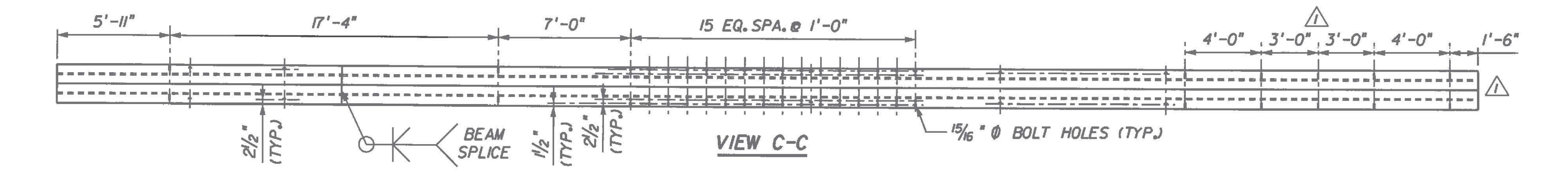


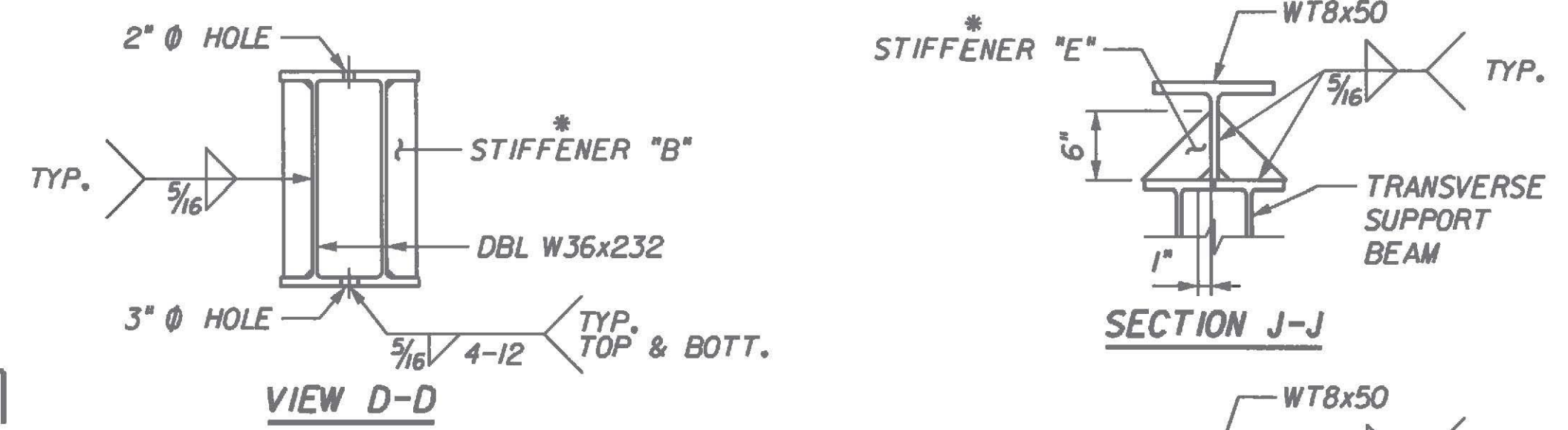
TRANSVERSE SUPPORT BEAM 1
(ELEVATION)



WT8x50 DETAIL

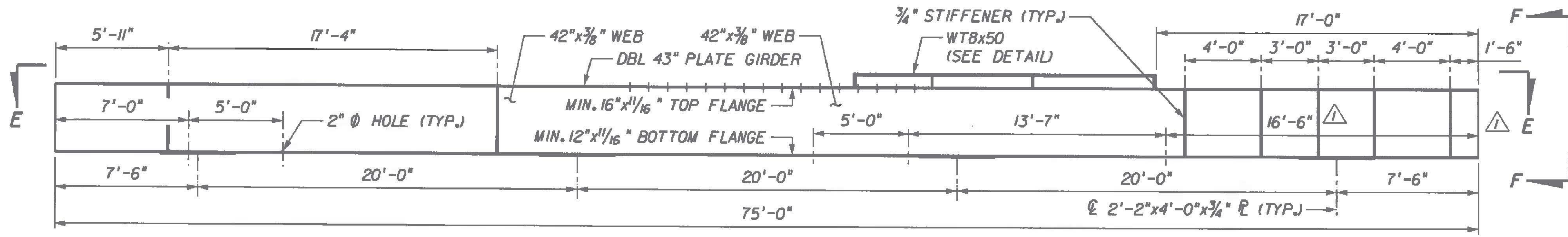


VIEW C-C

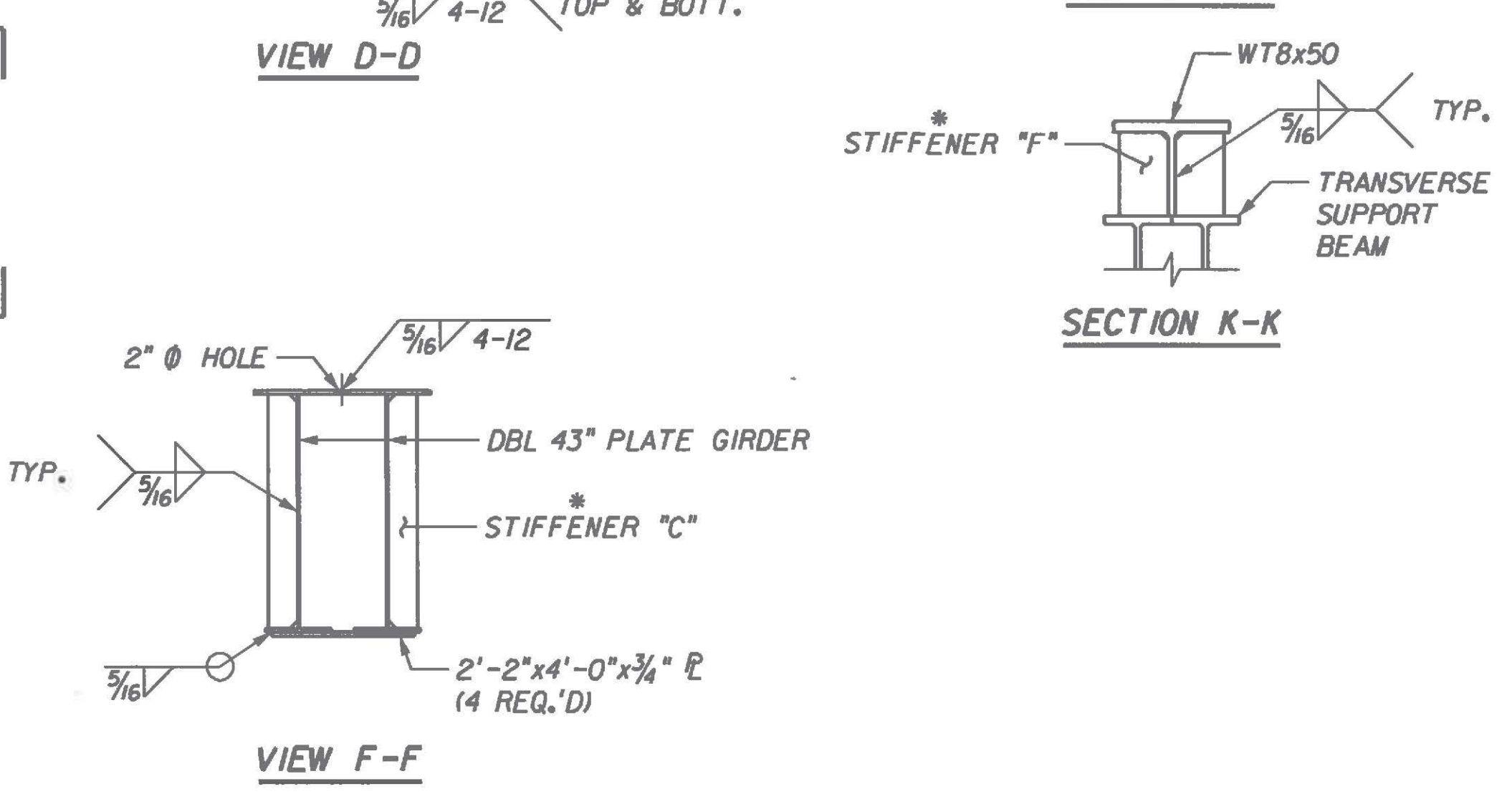


SECTION J-J

SECTION K-K



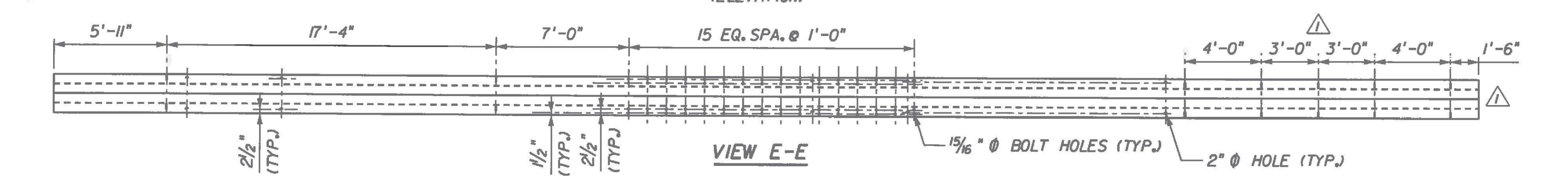
TRANSVERSE SUPPORT BEAM 2 AND 3
(ELEVATION)



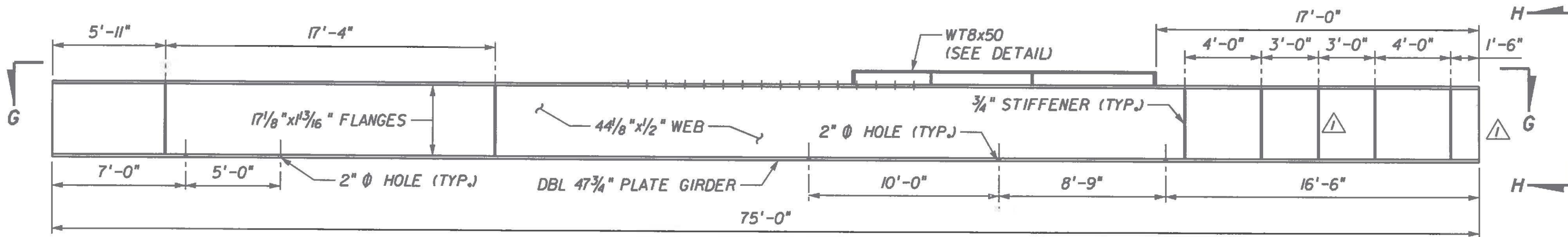
VIEW D-D

VIEW F-F

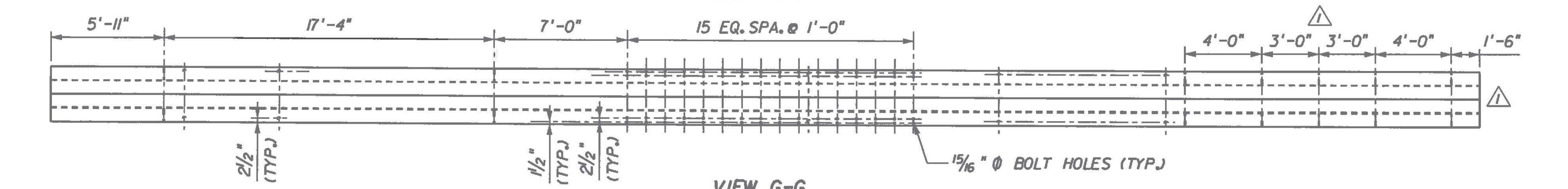
VIEW H-H



VIEW E-E

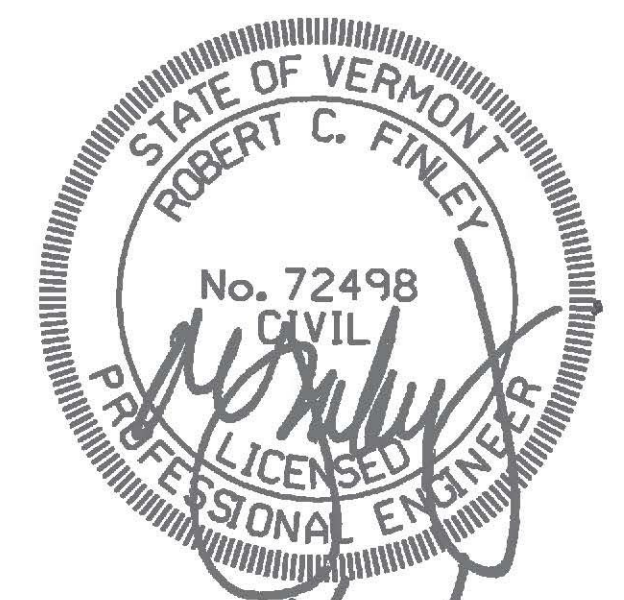


TRANSVERSE SUPPORT BEAM 4
(ELEVATION)



VIEW G-G

NOTES:
1. FOR LOCATION OF TRANSVERSE SUPPORT BEAMS, SEE PLAN VIEW ON "PLAN AND ELEVATION" SHEET.
* FOR STIFFENERS "B" THROUGH "E" DETAILS, SEE "MEMBER DETAILS (1 OF 4)" SHEET.



Revision	Drawn By	Date	Description	Revision	Drawn By	Date	Description	Name	Date	Project	Title	Sheet No.	
1	JLB	04/24/12	Removed Truss Restraint. Added Stiffener					Drawn By: JLB Designed By: NMC Approved By: JMP	01/12 01/12 01/12	1589 Metropolitan Blvd. Tallahassee, FL 32308 850-894-1600 Fax: 850-894-1614	RICHMOND TRUSS WIDENING STATE OF VERMONT AGENCY OF TRANSPORTATION CHITTENDEN COUNTY U.S. ROUTE 2 BRIDGE NO. 24	MEMBER DETAILS (2 OF 4)	17