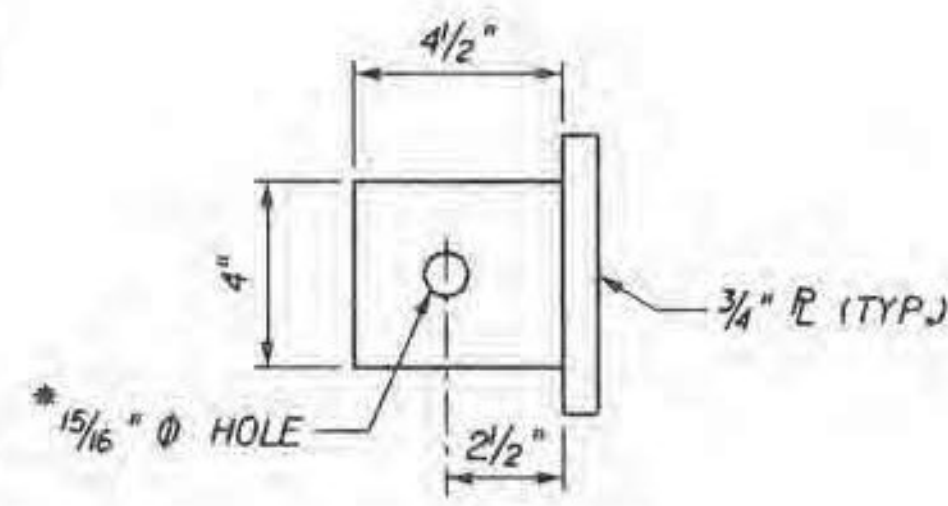
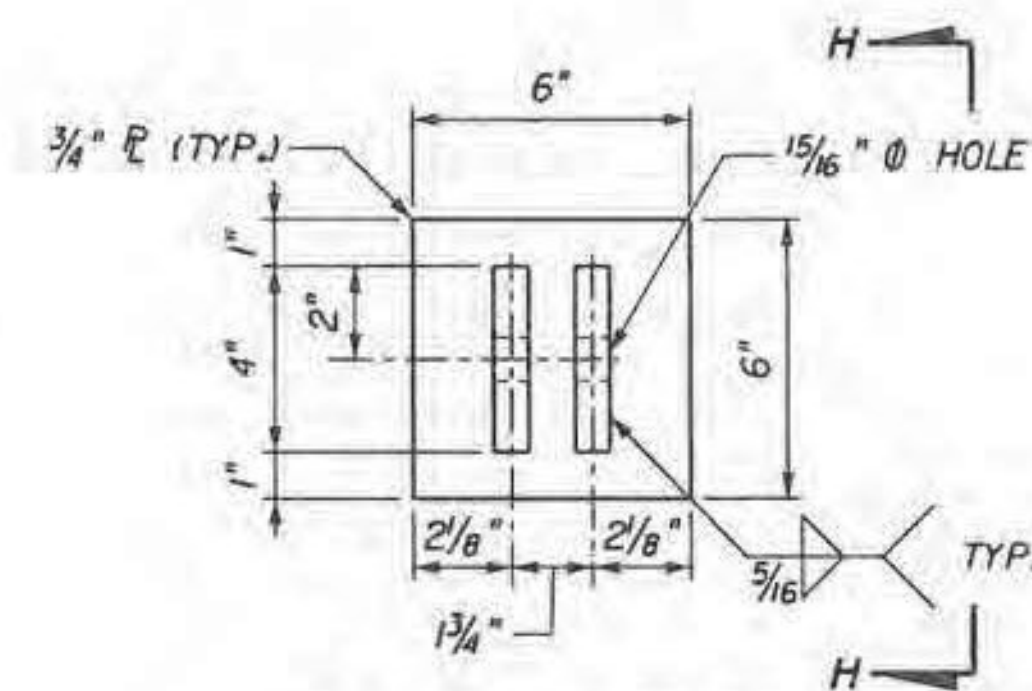


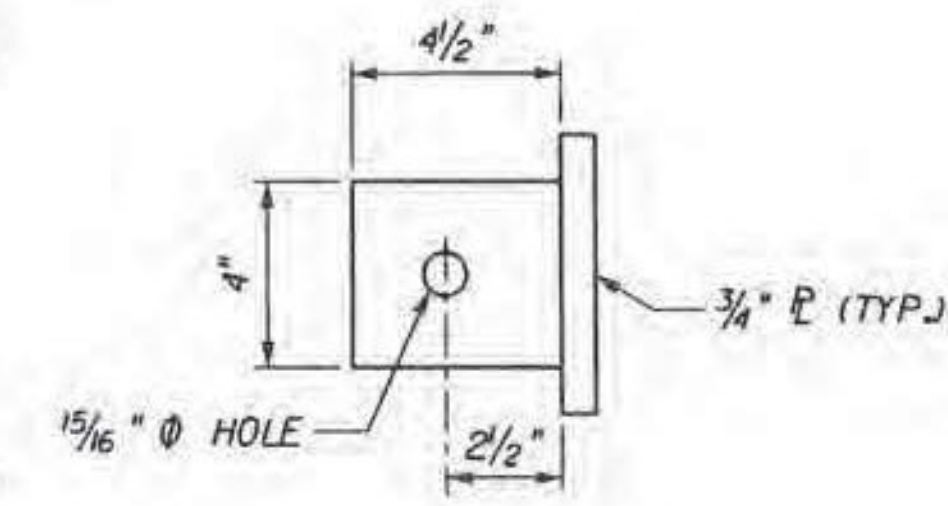
JACKING COMPONENT "E"



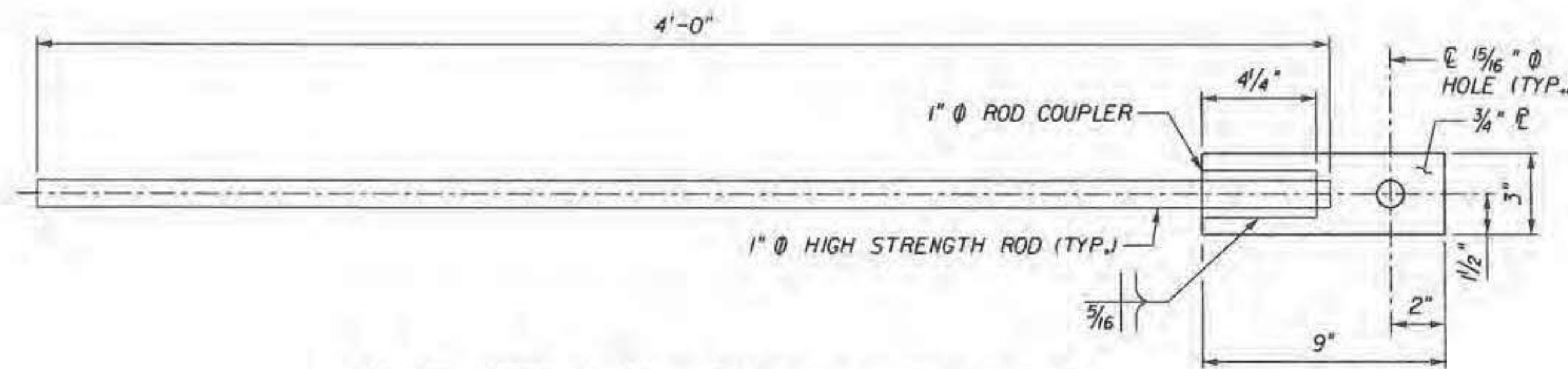
SECTION G-G



JACKING COMPONENT "F"



SECTION H-H

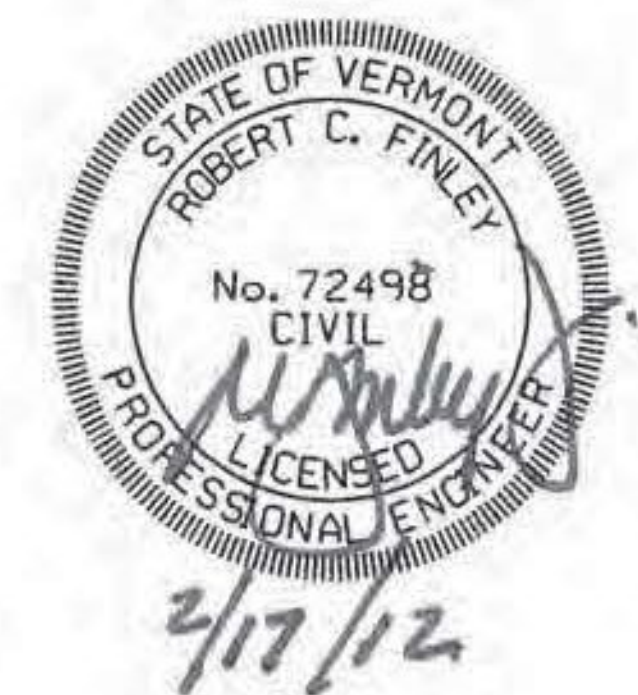


TOP OR BOTTOM CHORD SECONDARY RESTRAINT DETAIL

**NOTES:**

1. FOR LOCATION OF JACKING COMPONENTS "E" AND "F", SEE "BOTTOM CHORD JACKING DETAILS" SHEETS.

\* TO BE VERIFIED AFTER SELECTING HYDRAULIC CYLINDER.



Revision	Drawn By	Date	Description	Revision	Drawn By	Date	Description	Name	Date	Project	Title	Sheet No.		
								Drawn By:	JLB	01/12	RICHMOND TRUSS WIDENING STATE OF VERMONT AGENCY OF TRANSPORTATION CHITTENDEN COUNTY U.S. ROUTE 2 BRIDGE NO. 24	JACKING COMPONENT DETAILS (2 OF 2)	13	
							Designed By:	NMC	01/12					
							Approved By:	JMP	01/12					