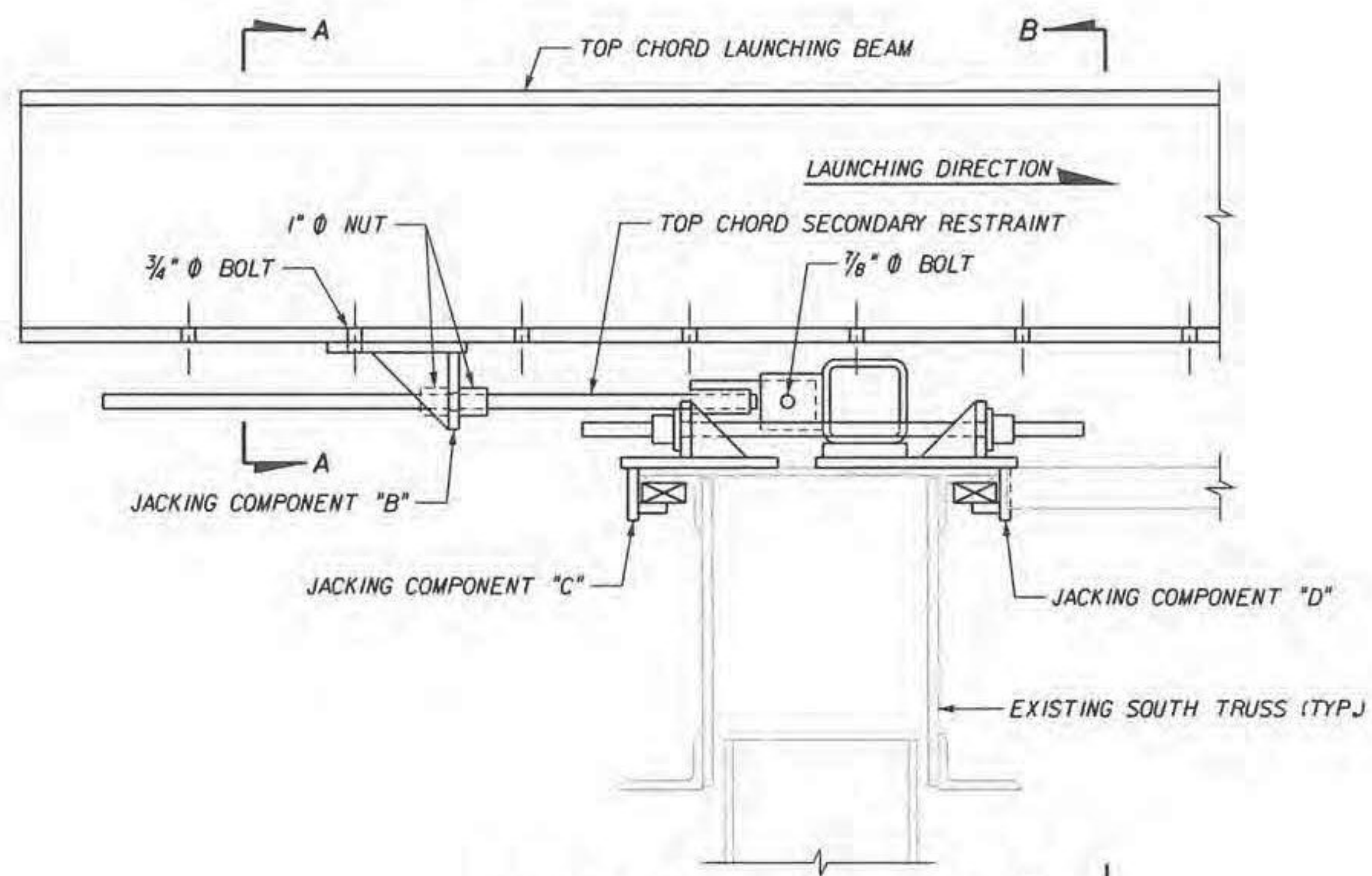
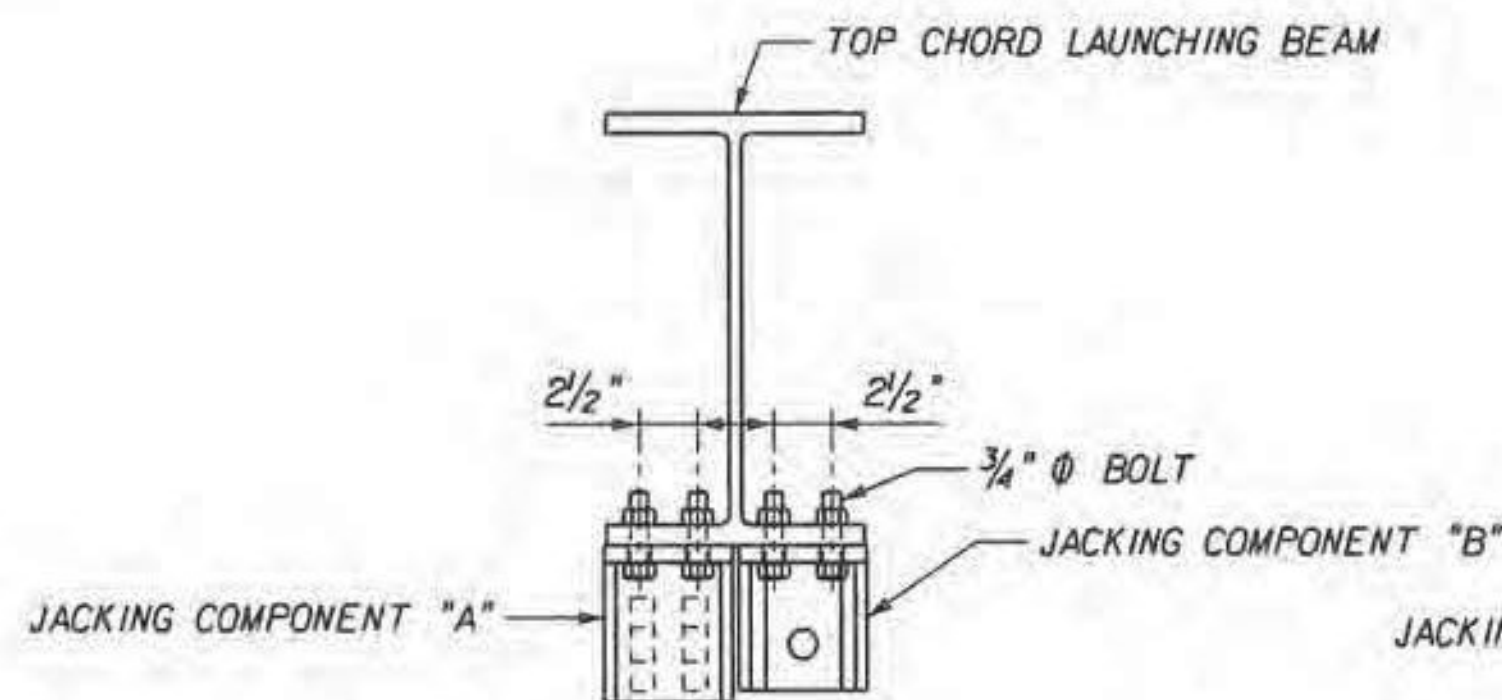


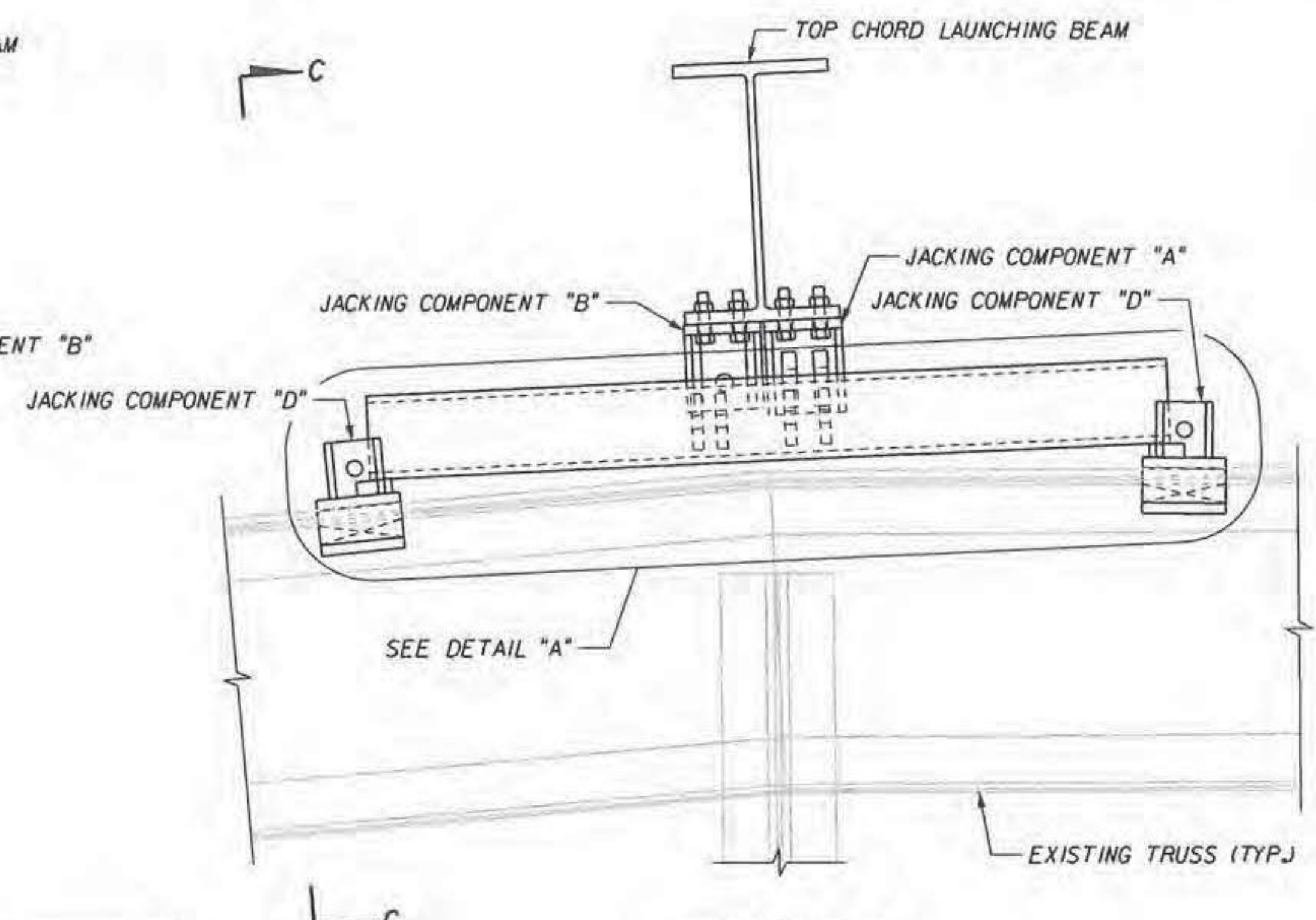
DETAIL "I"
(LOCATION AS SHOWN, OTHER LOCATIONS SIMILAR)



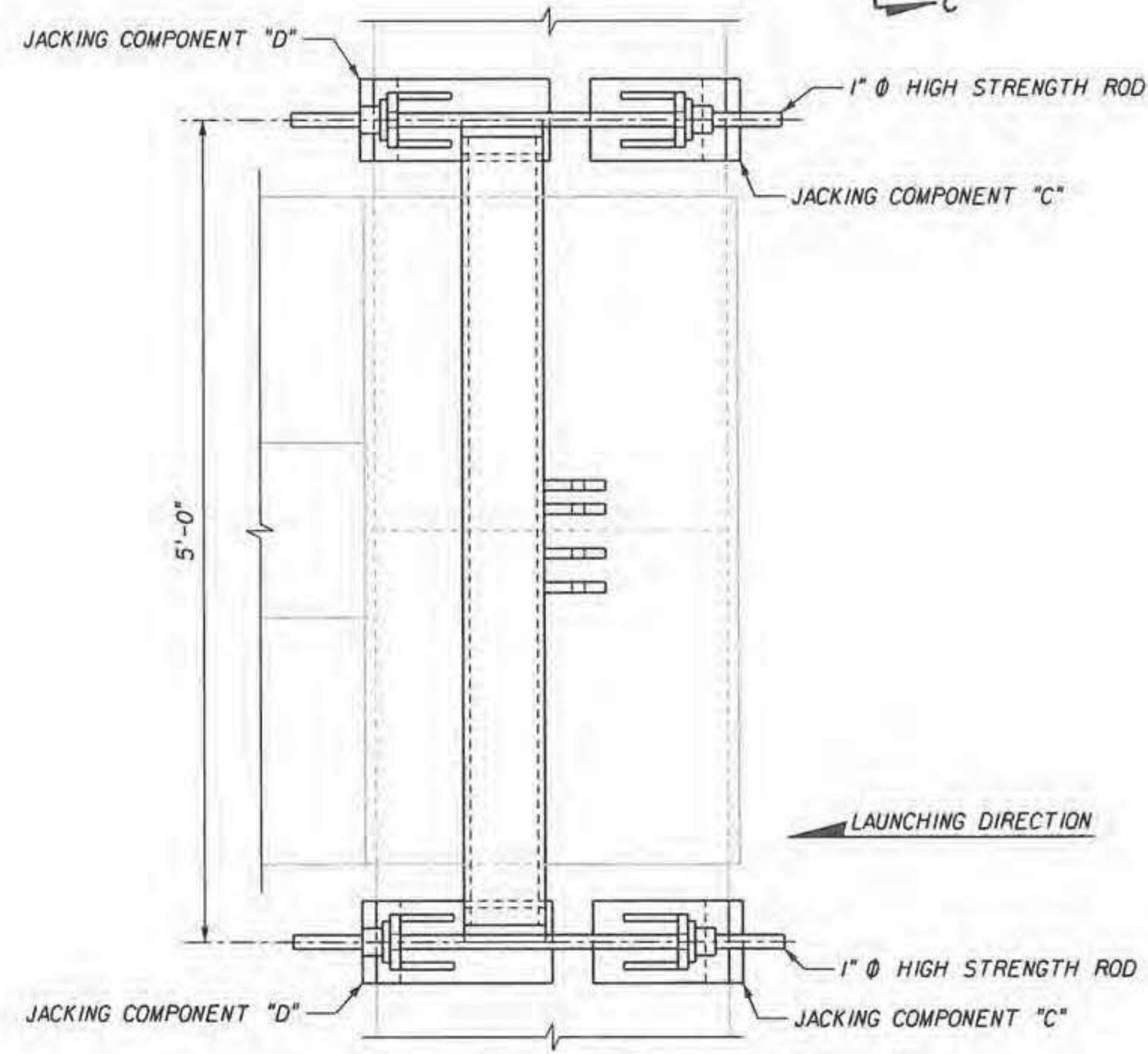
SECTION C-C



SECTION A-A



SECTION B-B



SECTION D-D
(FOR ADDITIONAL DETAILS SEE DETAIL "A")

- NOTES:**
1. FOR JACKING COMPONENT DETAILS AND DETAIL "A", SEE "JACKING COMPONENT DETAILS (1 OF 2)" SHEET.
 2. FOR LOCATION OF DETAIL I, SEE "TOP CHORD LAUNCHING BEAM TYPICAL SECTION" SHEET.



Revision	Drawn By	Date	Description	Revision	Drawn By	Date	Description	Name	Date	Project	Title	Sheet No.
								Drawn By:	JLB	01/12	RICHMOND TRUSS WIDENING STATE OF VERMONT AGENCY OF TRANSPORTATION CHITTENDEN COUNTY U.S. ROUTE 2 BRIDGE NO. 24	10
							Designed By:	NMC	01/12			
							Approved By:	JMP	01/12			