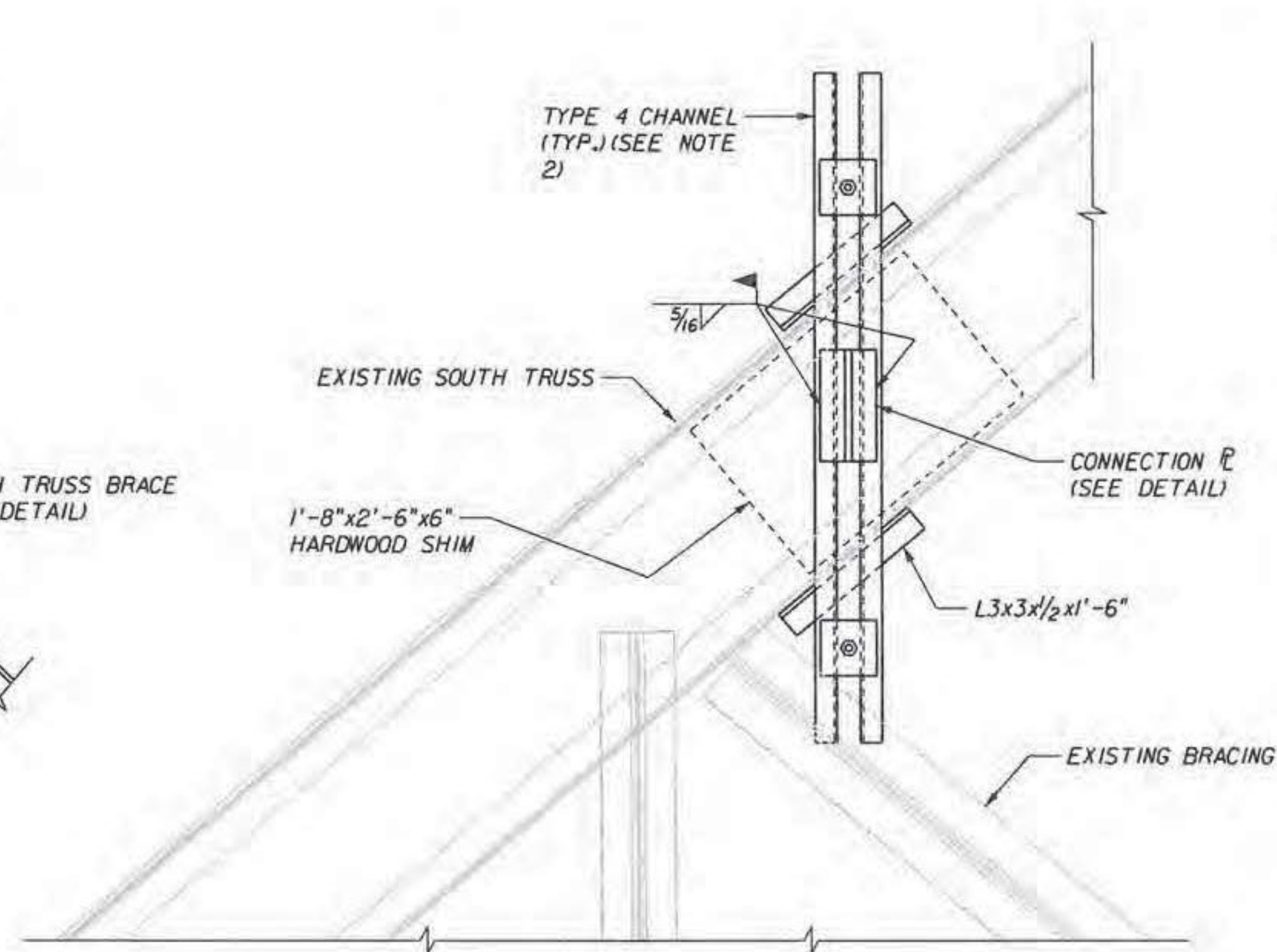
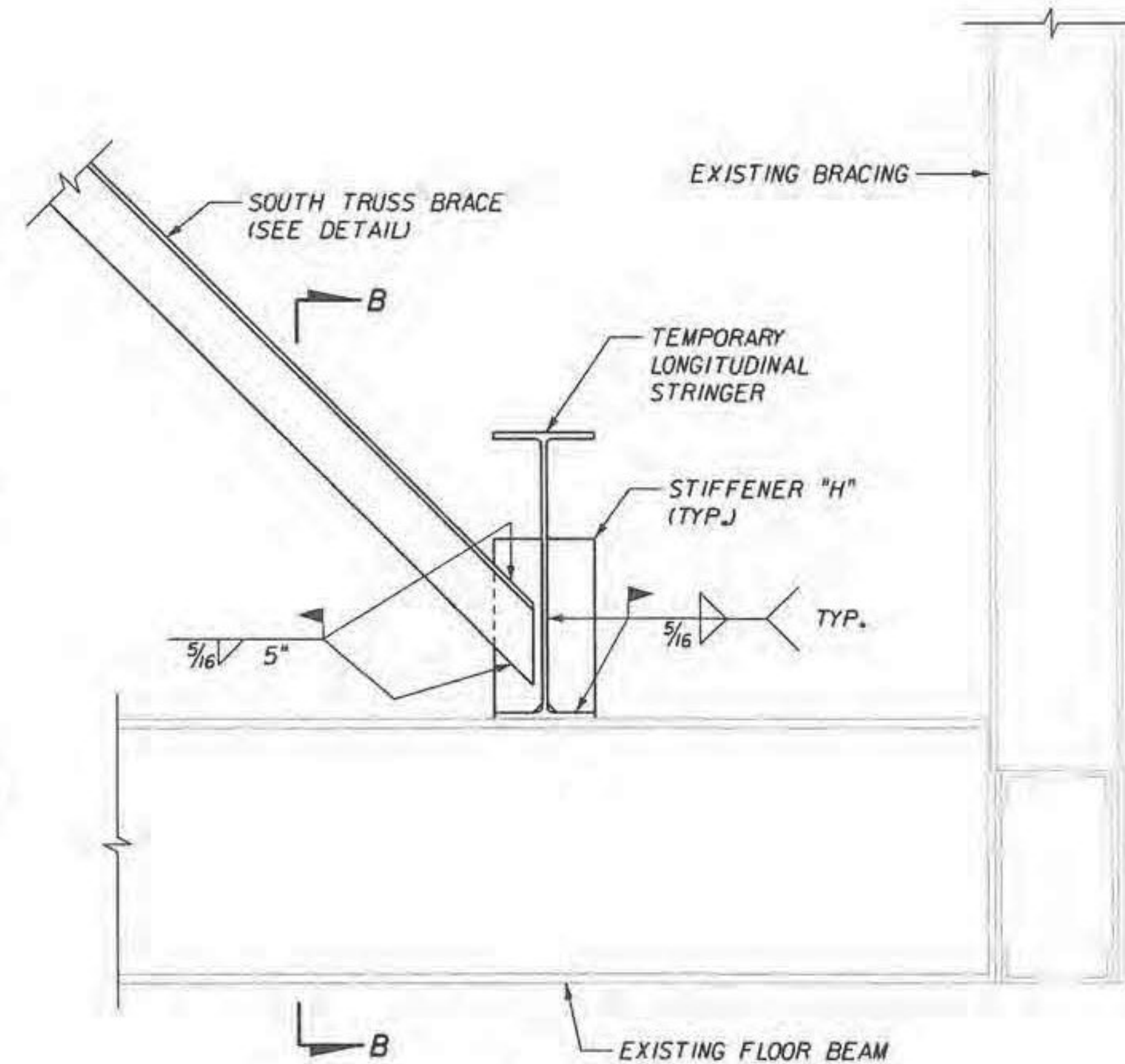


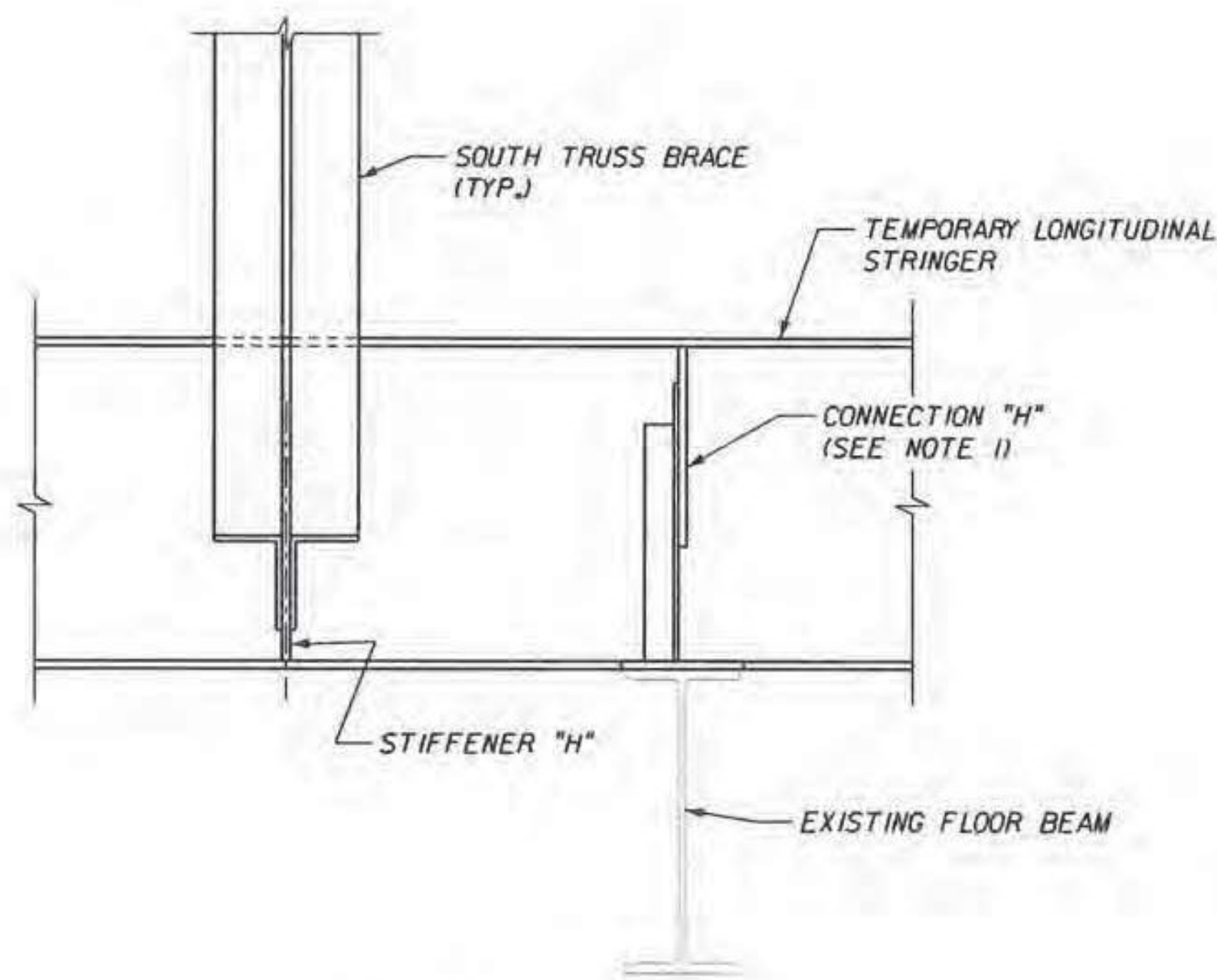
SOUTH TRUSS BRACE TOP CONNECTION



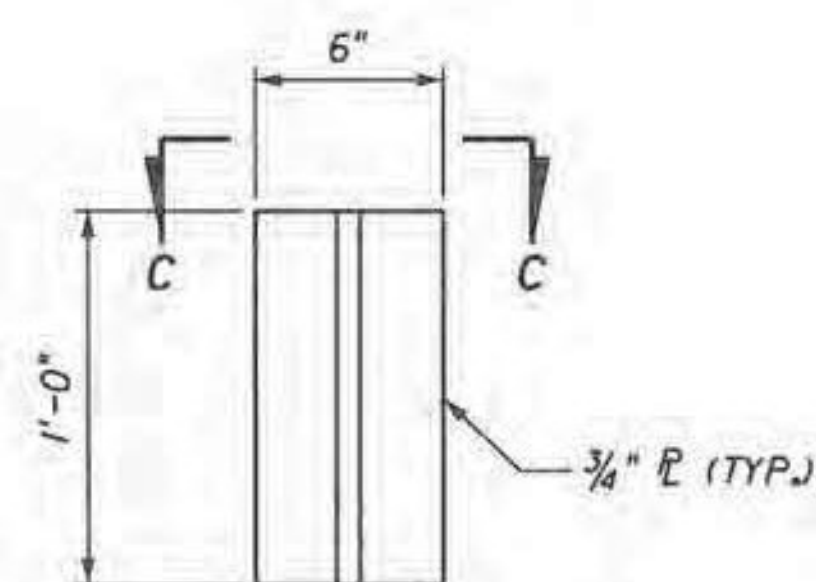
SECTION A-A



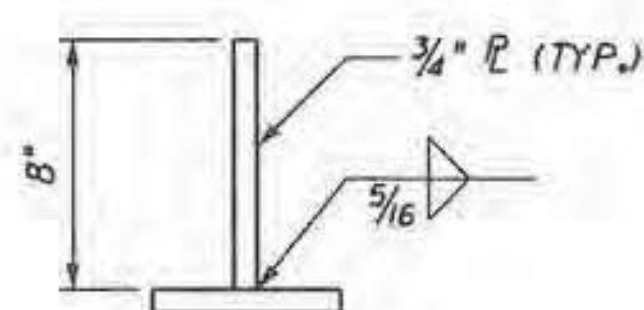
SOUTH TRUSS BRACE BOTTOM CONNECTION



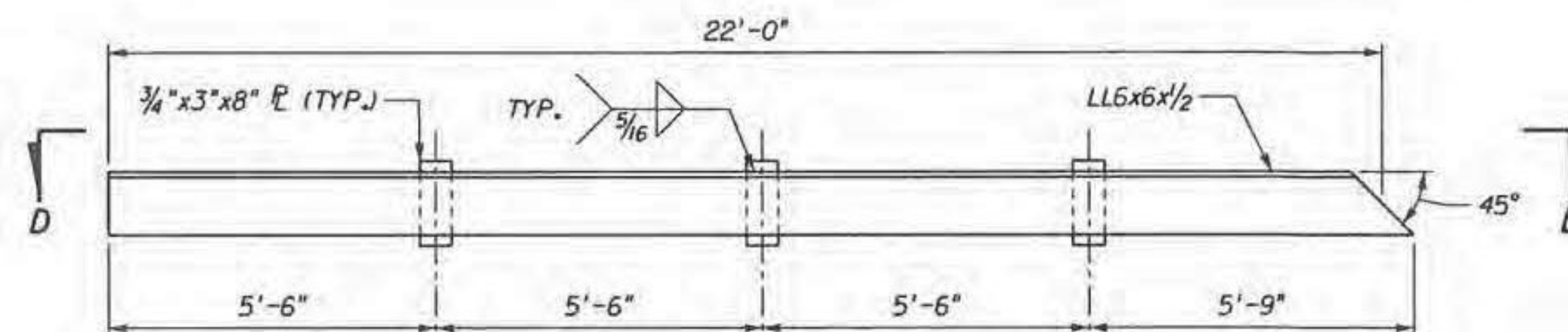
SECTION B-B



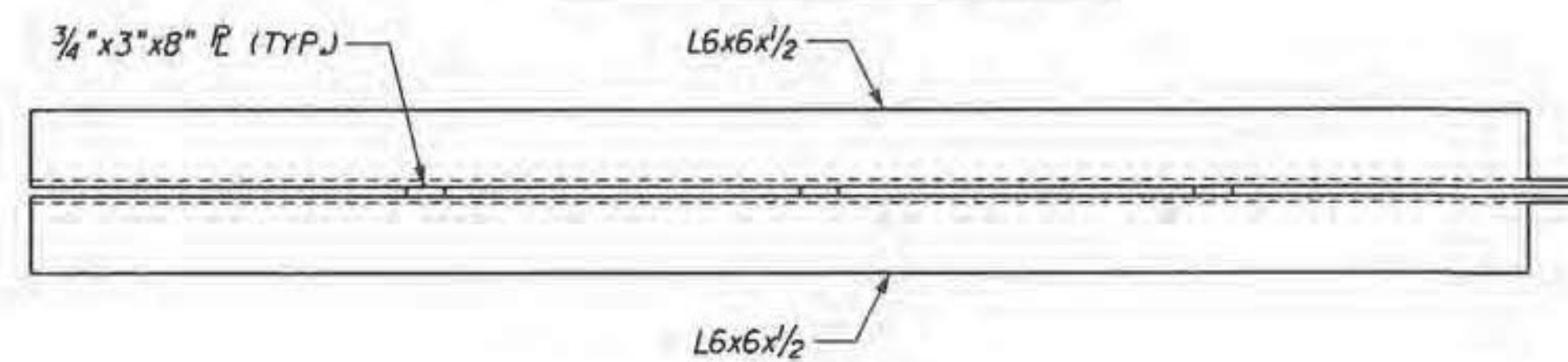
CONNECTION E DETAIL



VIEW C-C

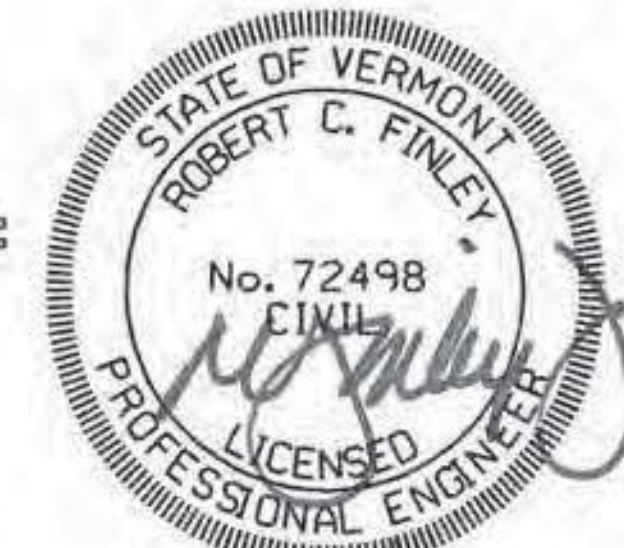


SOUTH TRUSS BRACE DETAIL



VIEW D-D

- NOTES:**
 1. FOR CONNECTION "H" DETAILS, SEE "CONNECTION DETAILS (3 OF 3)" SHEET.
 2. FOR TYPICAL CHANNEL DETAILS, SEE "CHANNEL DETAILS" SHEET.



Revision	Drawn By	Date	Description	Revision	Drawn By	Date	Description	Name	Date	Project	Title	Sheet No.
								Drawn By:	BAB	01/12	RICHMOND TRUSS WIDENING STATE OF VERMONT AGENCY OF TRANSPORTATION CHITTENDEN COUNTY U.S. ROUTE 2 BRIDGE NO. 24	SOUTH TRUSS TEMPORARY BRACE DETAILS
							Designed By:	NMC	01/12	09		
							Approved By:	JMP	01/12			