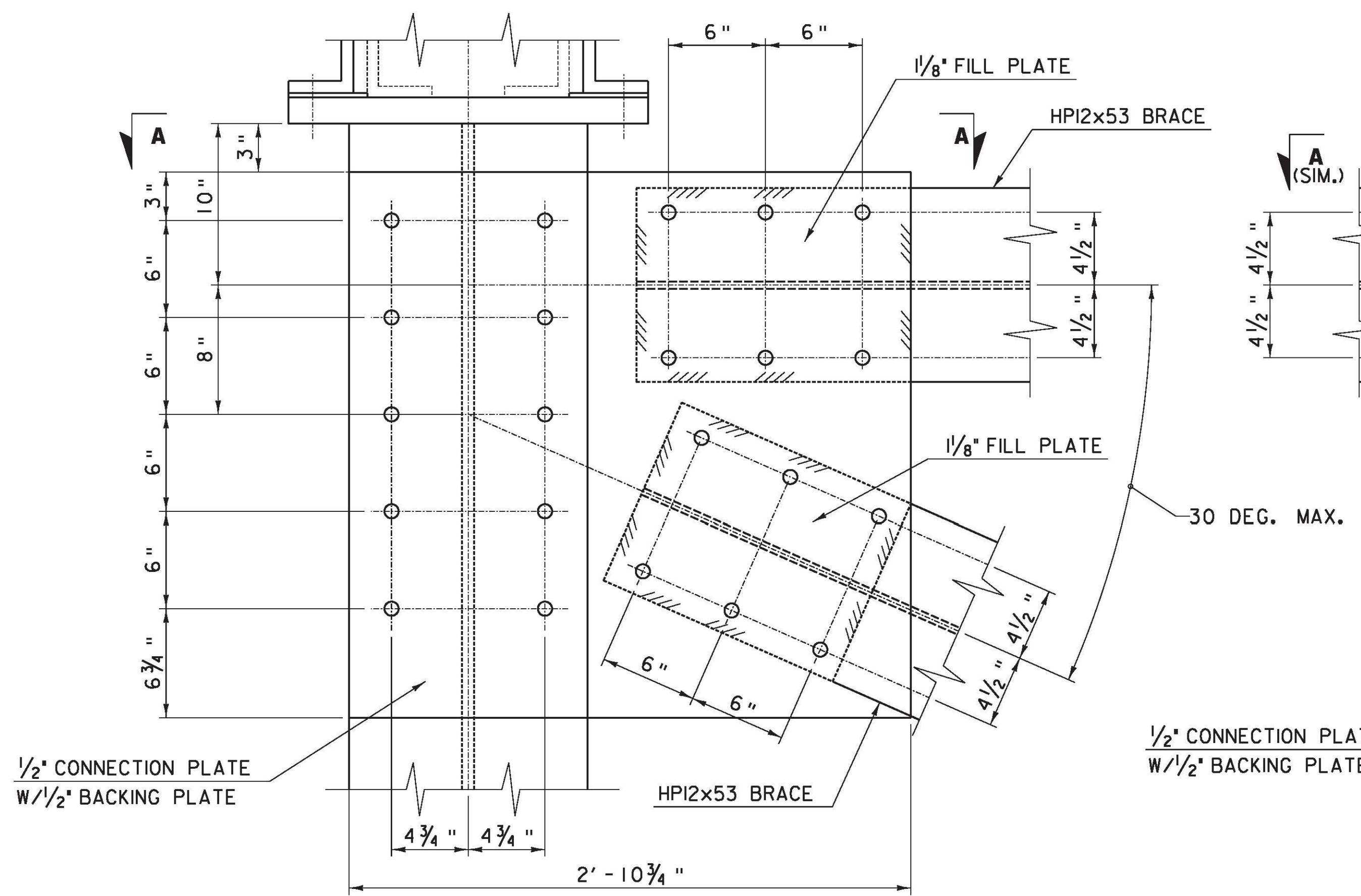
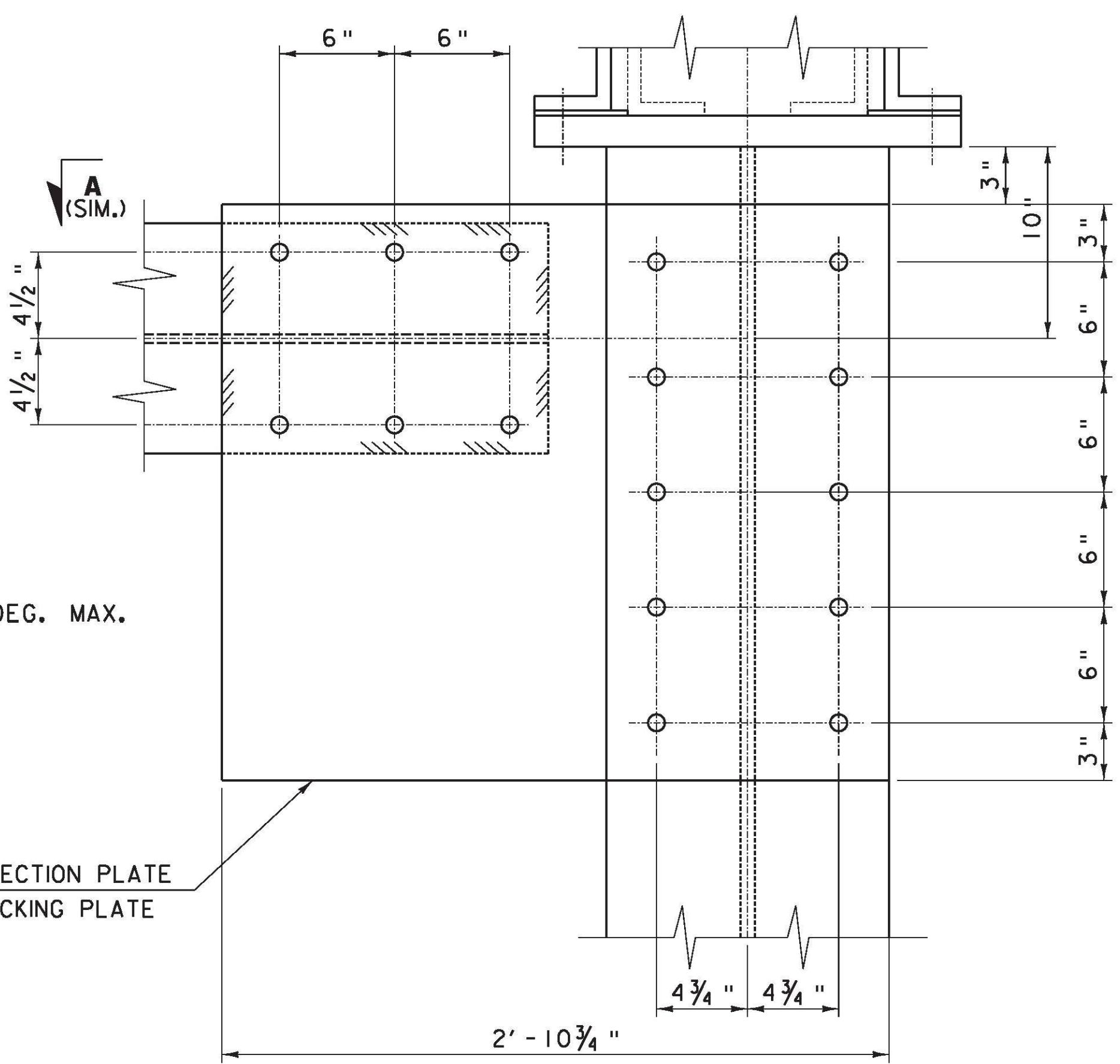


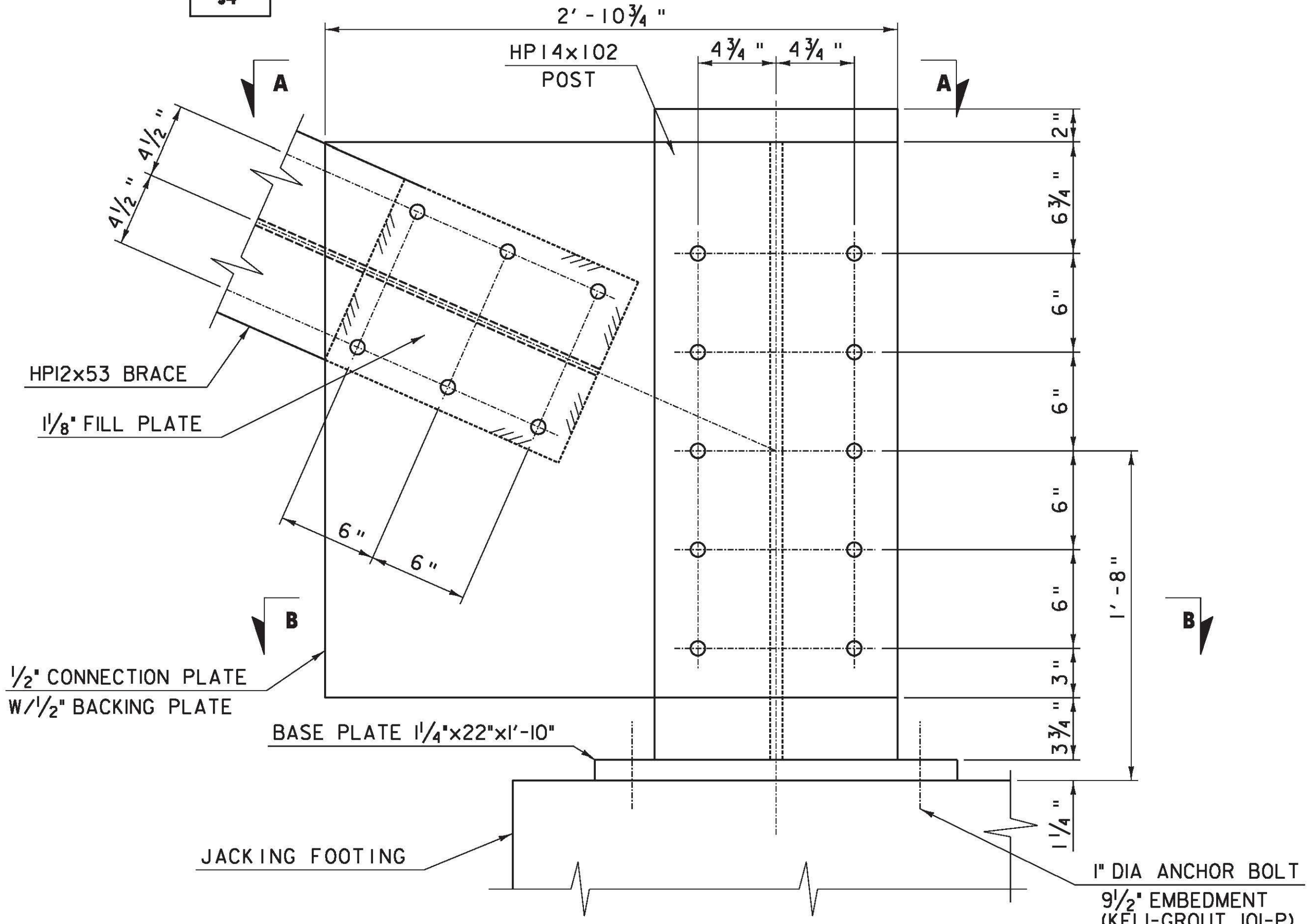
FILE NAME = v:\projects\erj\202076\cadd\mstr\brdge work\brs (2-2) jacking\290c092_jacking-dtl.08.dgn
 DATE/TIME = 8/3/2011
 USER = 3293



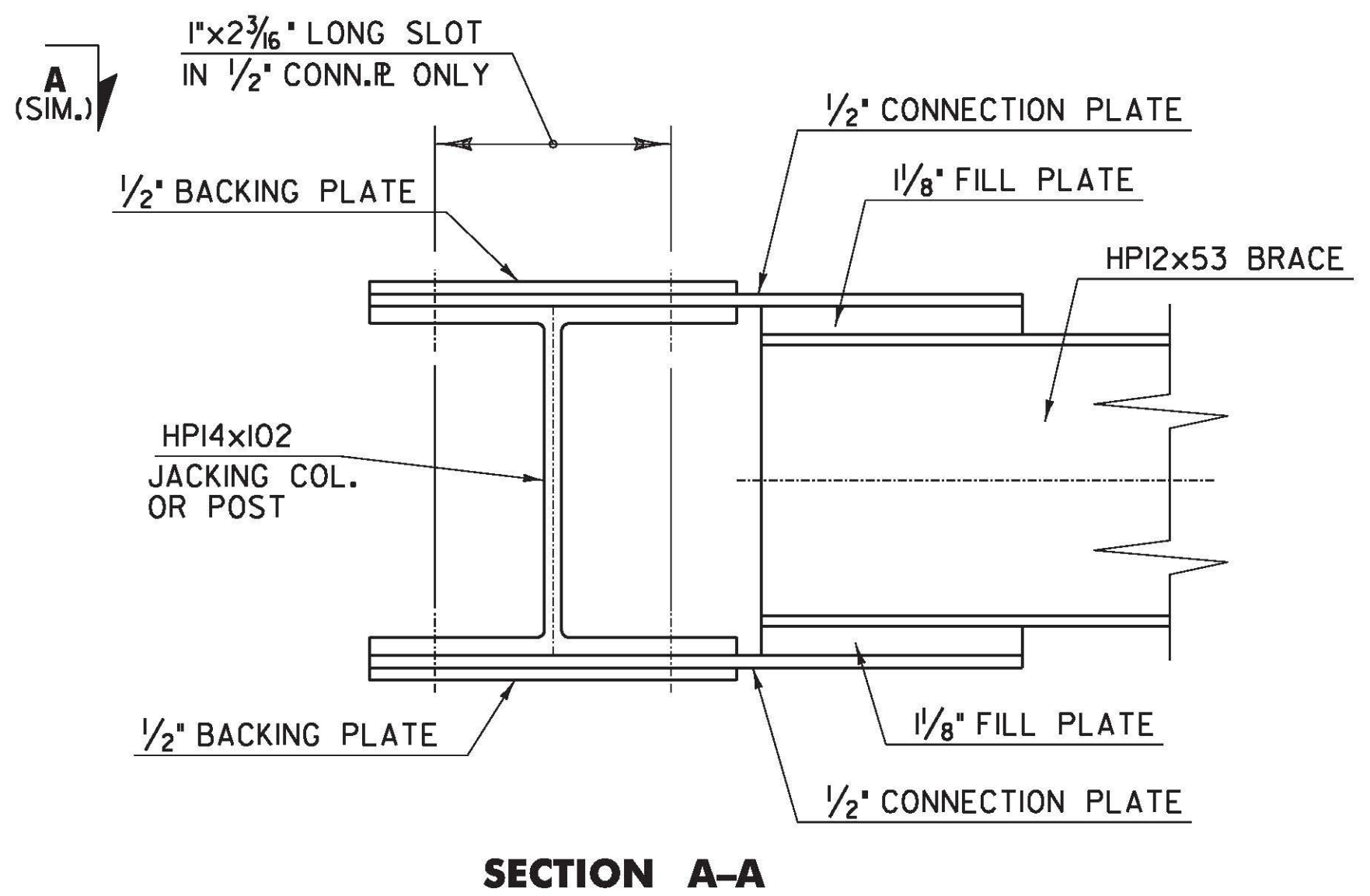
B JACK BRACING TOP CONN. DETAIL
 J4



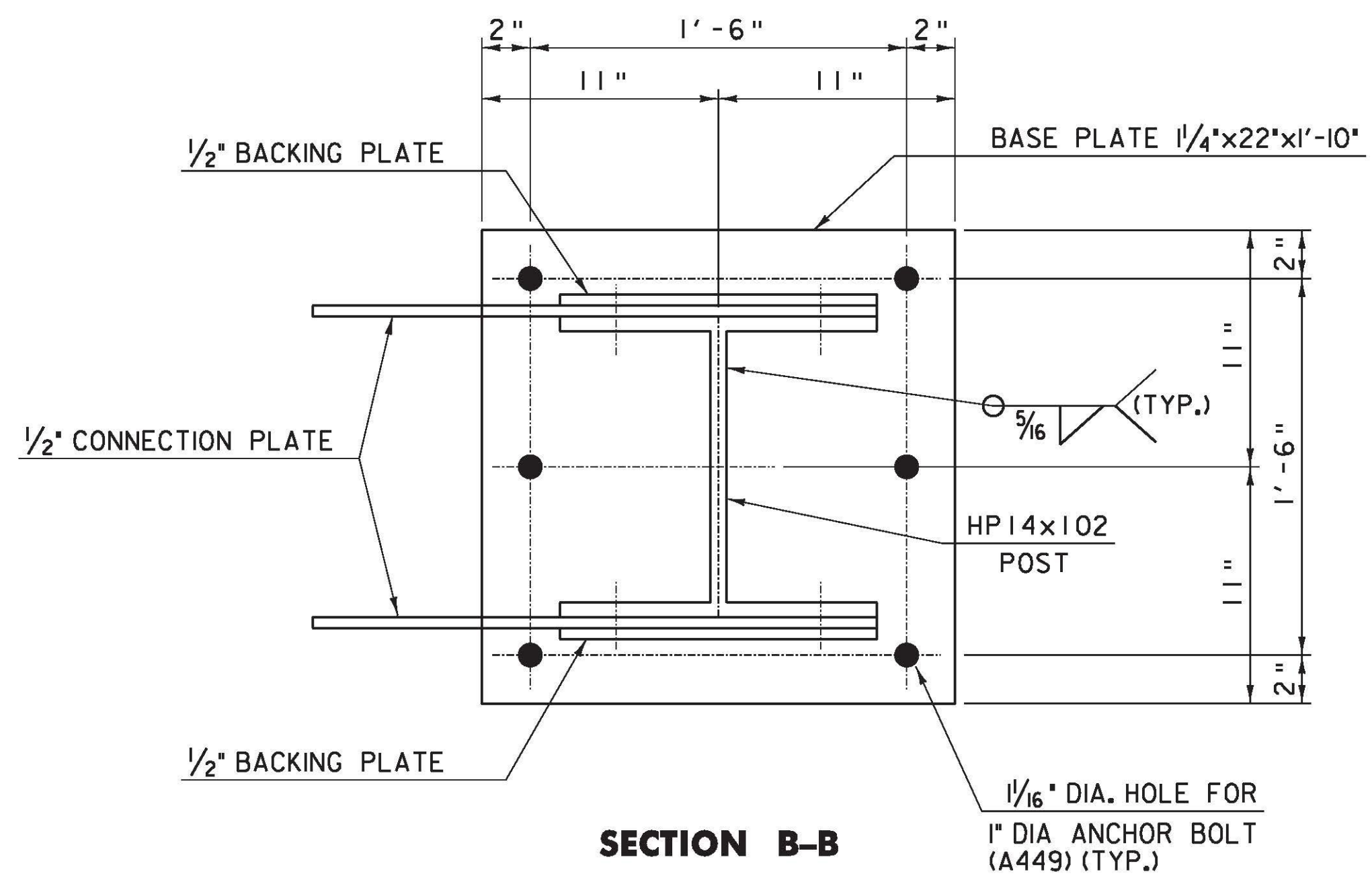
C JACK BRACING TOP CONN. DETAIL
 J4



D JACK BRACING TOP CONN. DETAIL
 J4



SECTION A-A



SECTION B-B

NOTES
 ALL HOLES TO BE 1/16" DIA. UNLESS OTHERWISE NOTED.

JACKING ASSEMBLY BRACE DETAILS

PROJECT NAME:	RICHMOND
PROJECT NUMBER:	STP-RS 0284(III)
FILE NAME:	z90c092 jacking dtl08.dgn
PROJECT LEADER:	DJV
DESIGNED BY:	DJV
DWG. NO.:	JIO
PLOT DATE:	8/3/2011
DRAWN BY:	PKR
CHECKED BY:	VC/KM
SHEET	XX OF XX