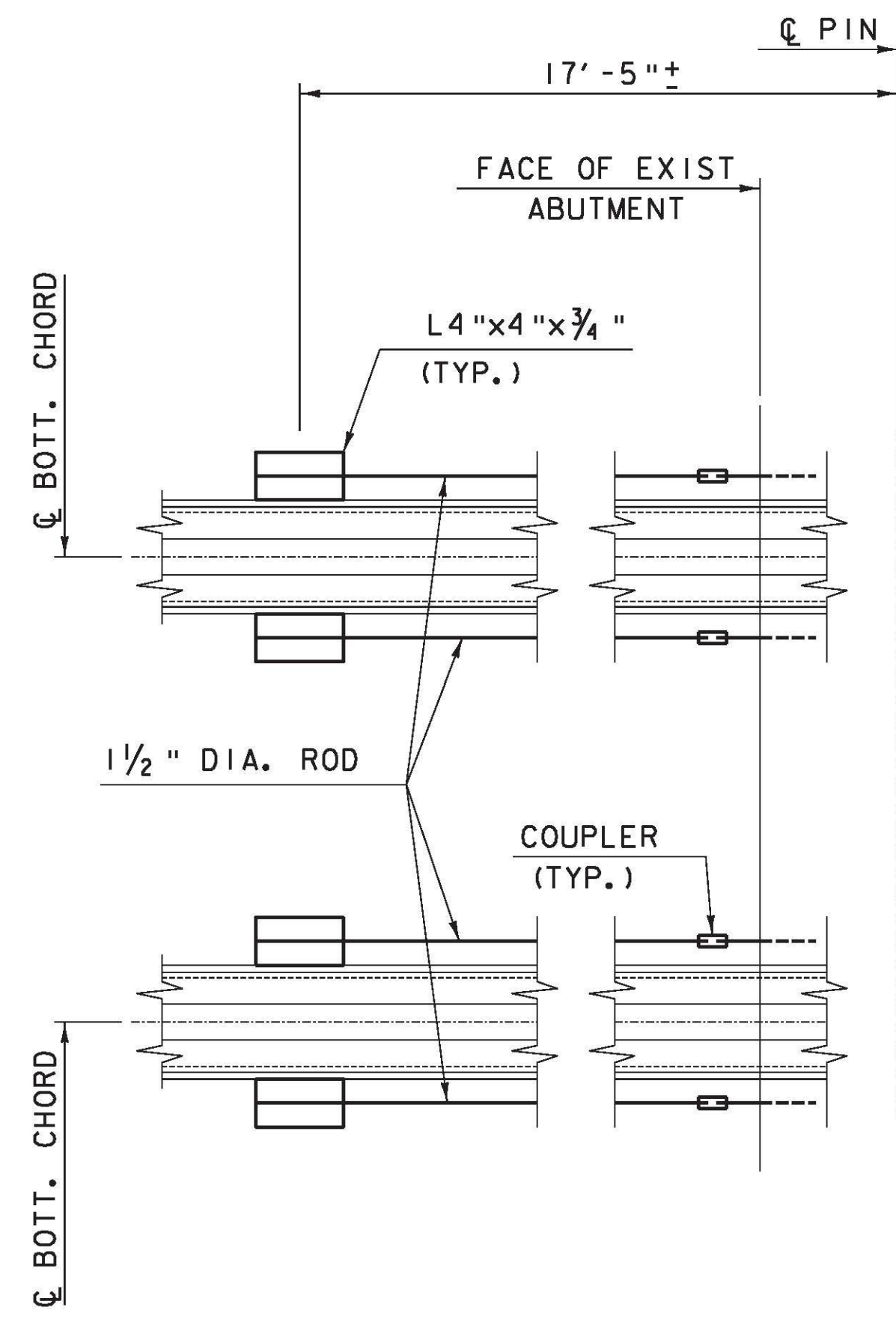
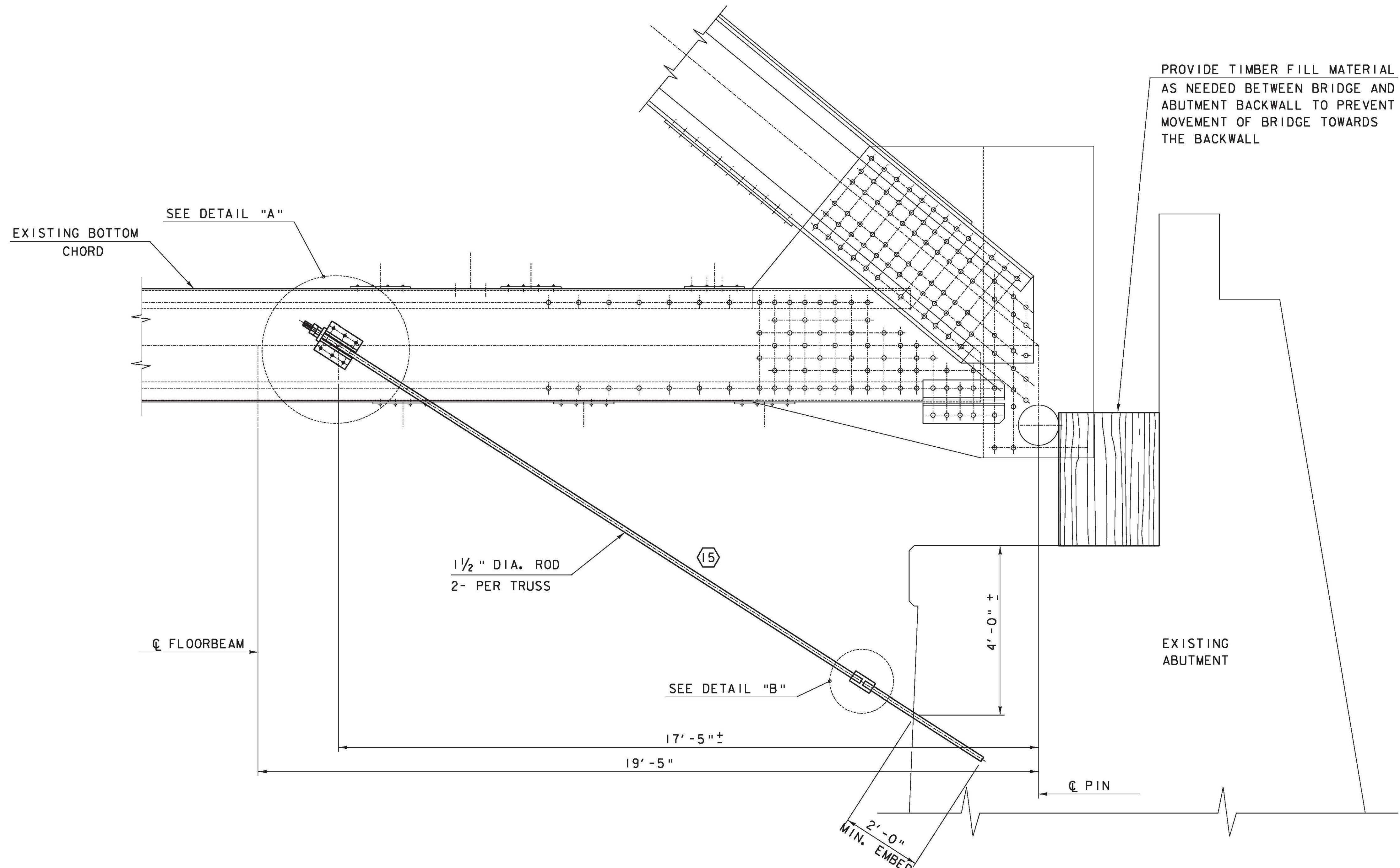


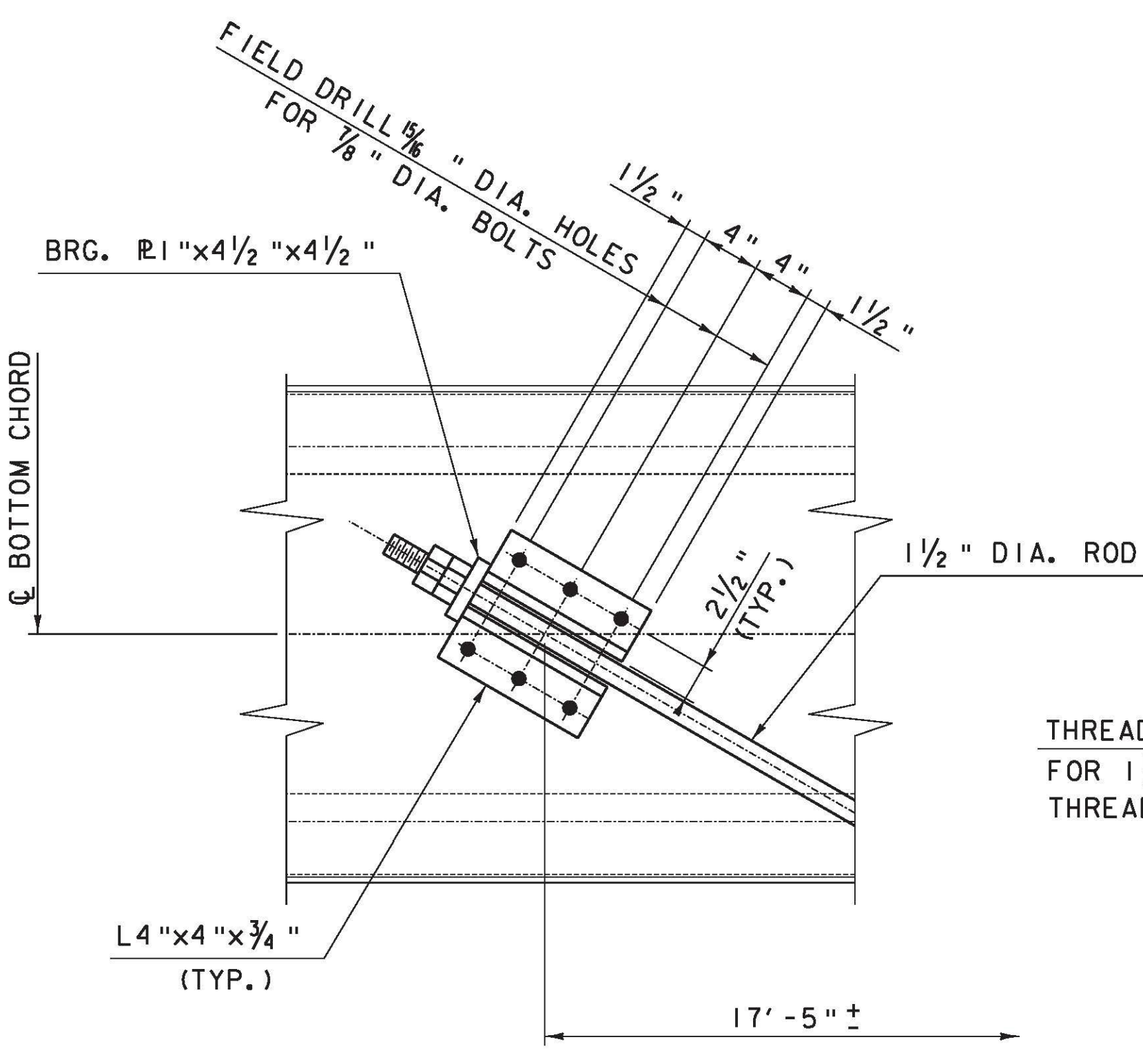
FILE NAME = v:\projects\enr\2009\20090822\20090822\mstr\bridge work\wbs (2-2) jacking\z90c092\_jacking.dtl.07.dgn  
 DATE/TIME = 8/3/2011  
 USER = J9



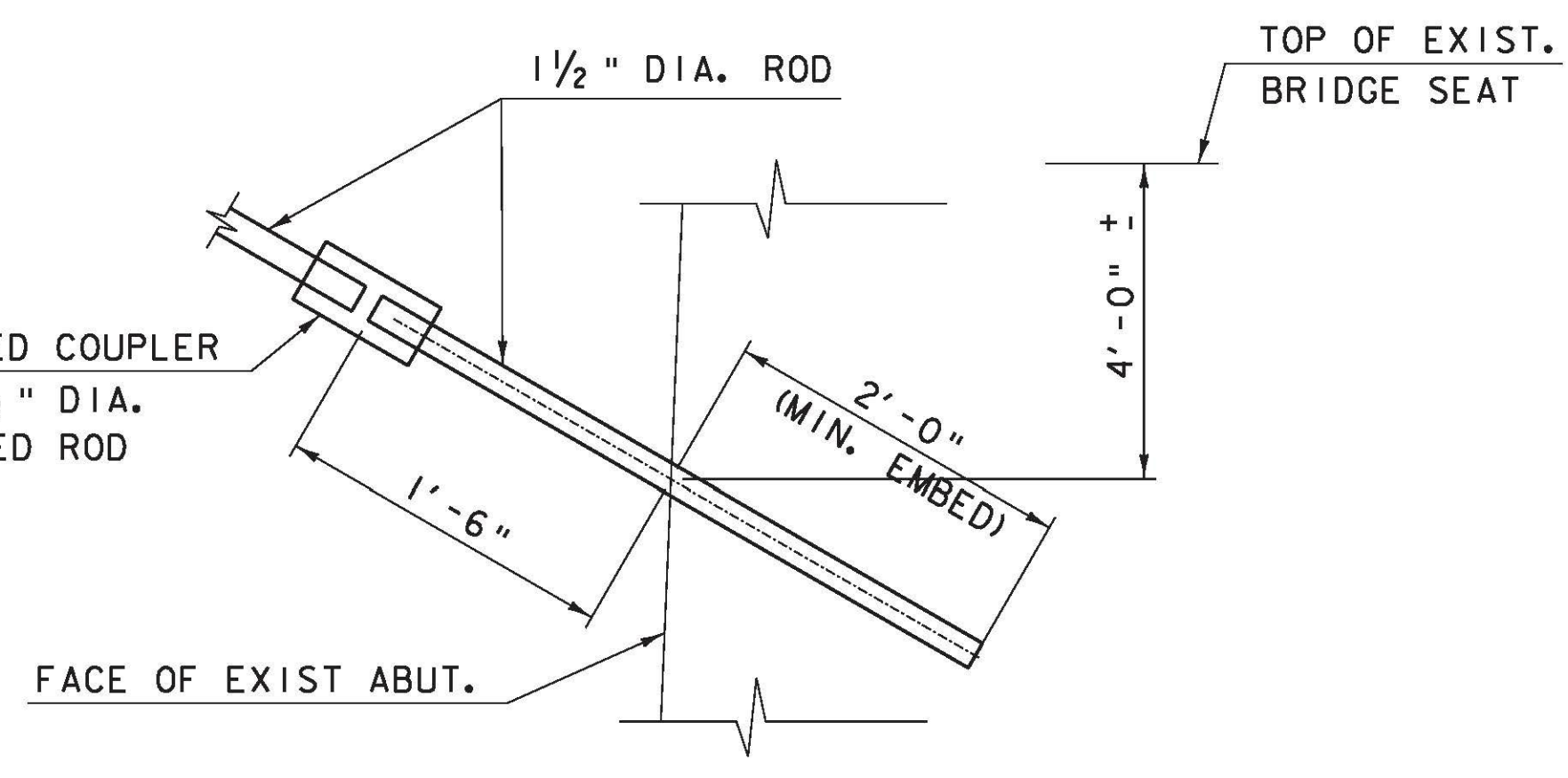
**TEMPORARY TENSION ROD SCHEMATIC PLAN**



**TEMPORARY TENSION ROD ELEVATION**



**DETAIL "A"**



**DETAIL "B"**

**NOTE:**  
 TENSION RODS TO BE LOCATED ON OPPOSITE ABUTMENT OF JACKING ABUTMENT.

<b>JACKING SUPPORT TENSION ROD DETAILS</b>	PROJECT NAME: RICHMOND	PROJECT NUMBER: STP-RS 0284(III)
	FILE NAME: z90c092_jacking_d1107.dgn	PLOT DATE: 8/3/2011
	PROJECT LEADER: DJV	DRAWN BY: PKR
	DESIGNED BY: CTA/PP	CHECKED BY: VC/KM
	DWG. NO.: J9	SHEET XX OF XX