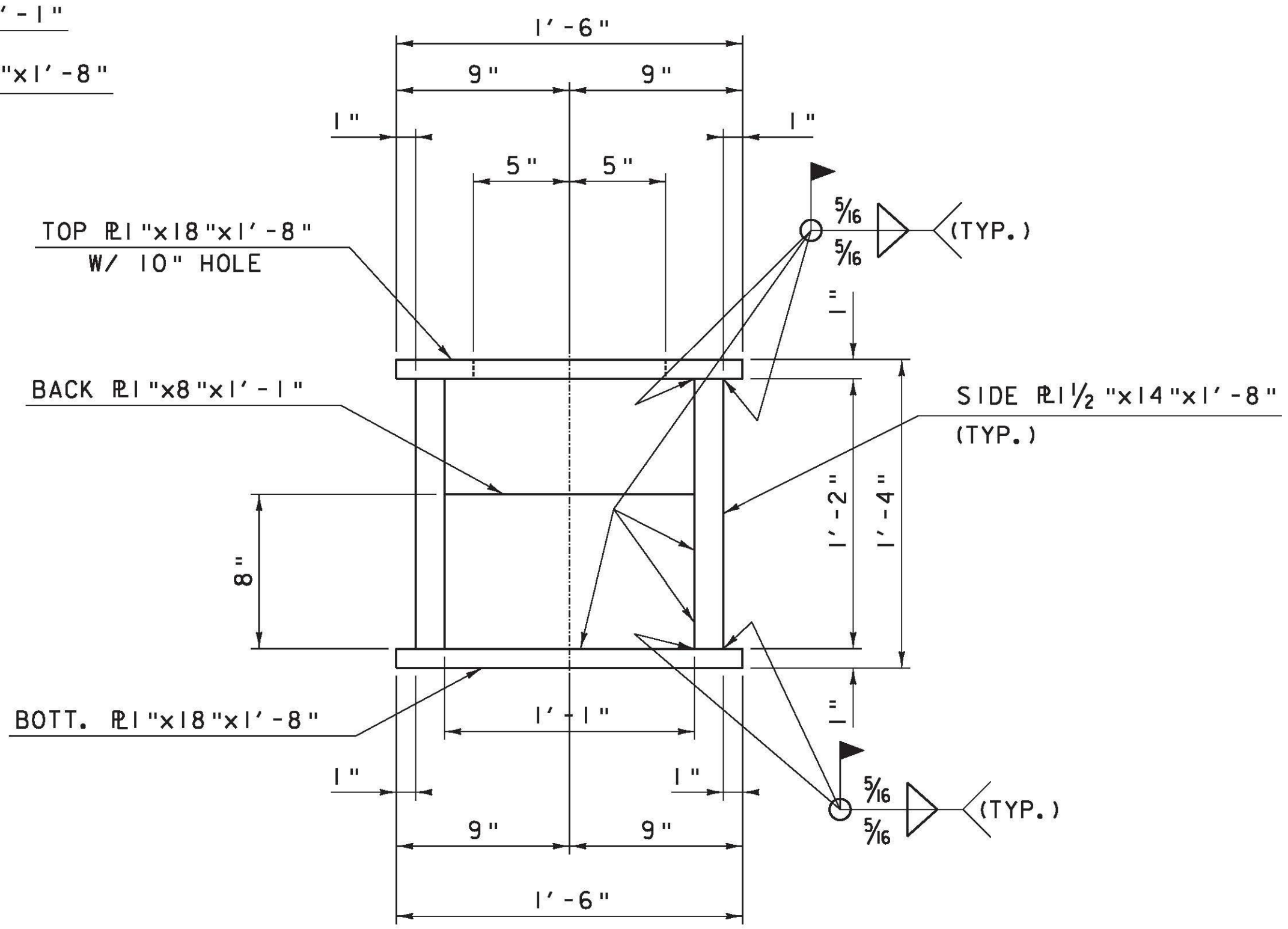
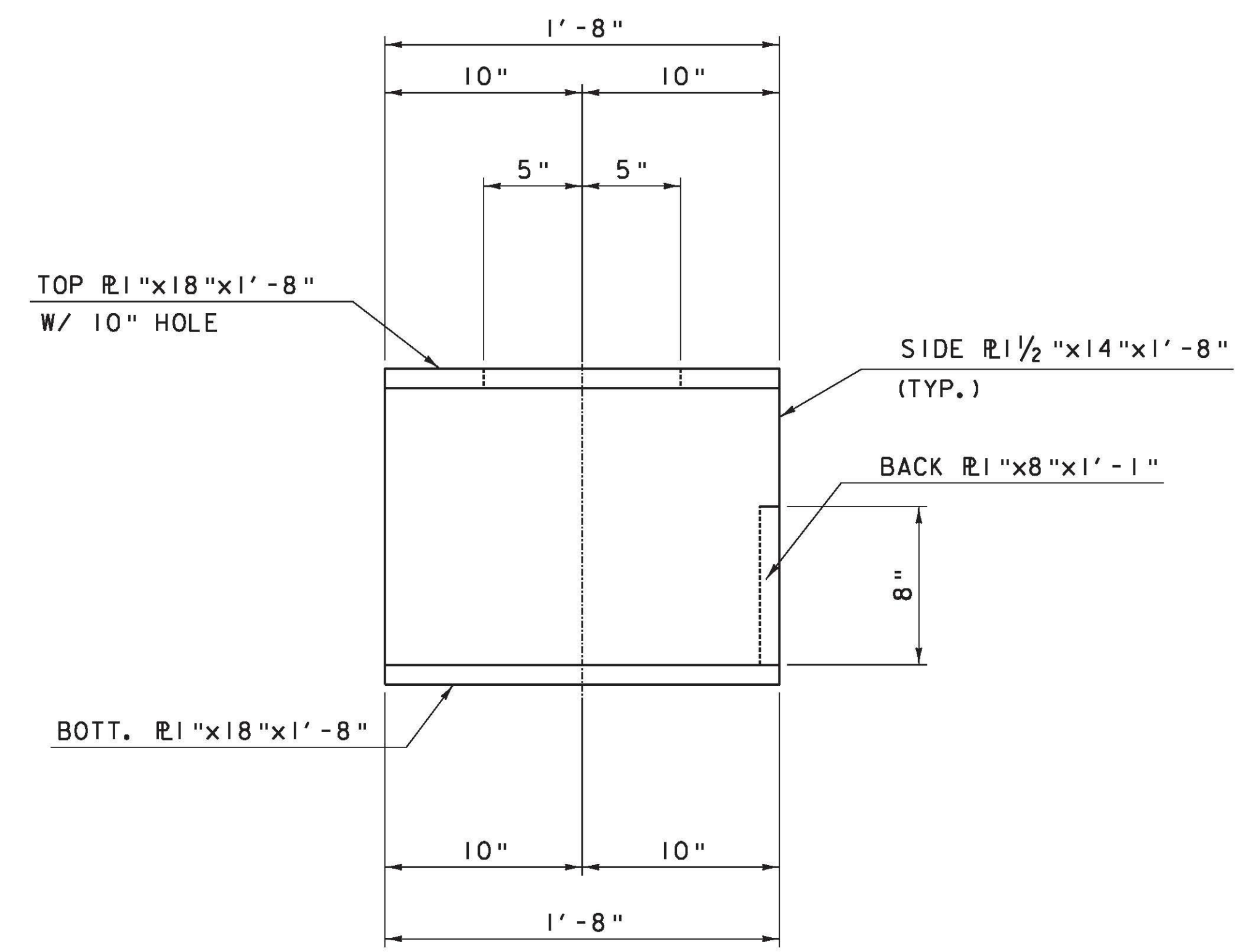


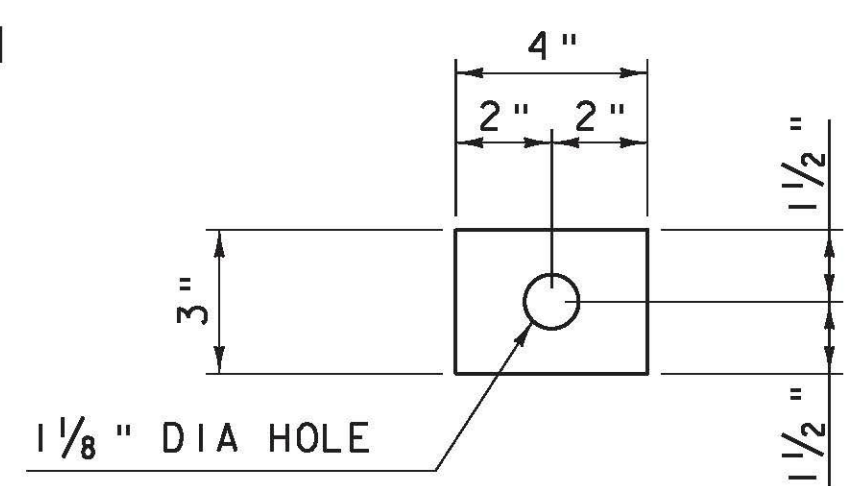
**JACKING BOX PLAN**



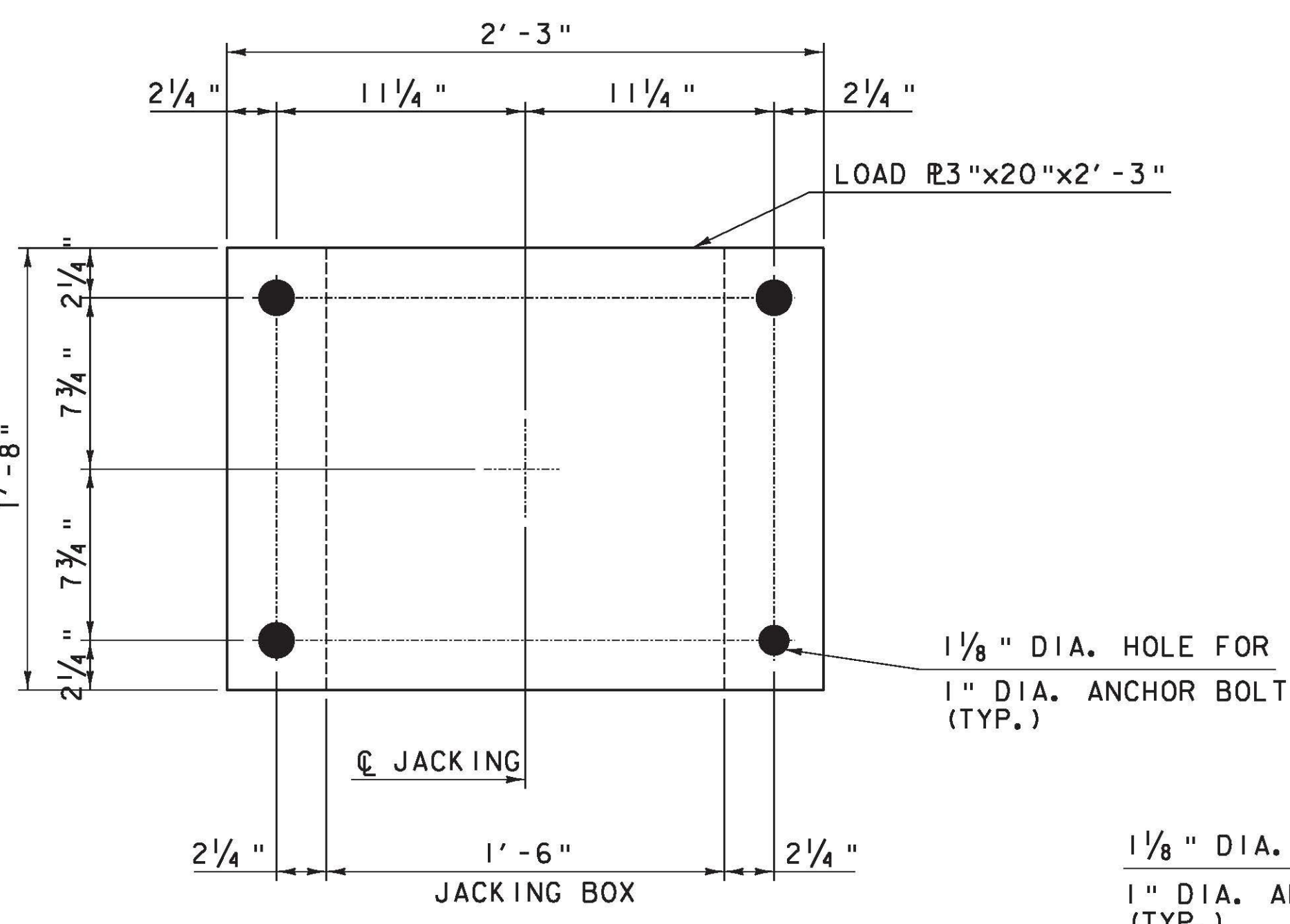
**JACKING BOX SECTION A-A**



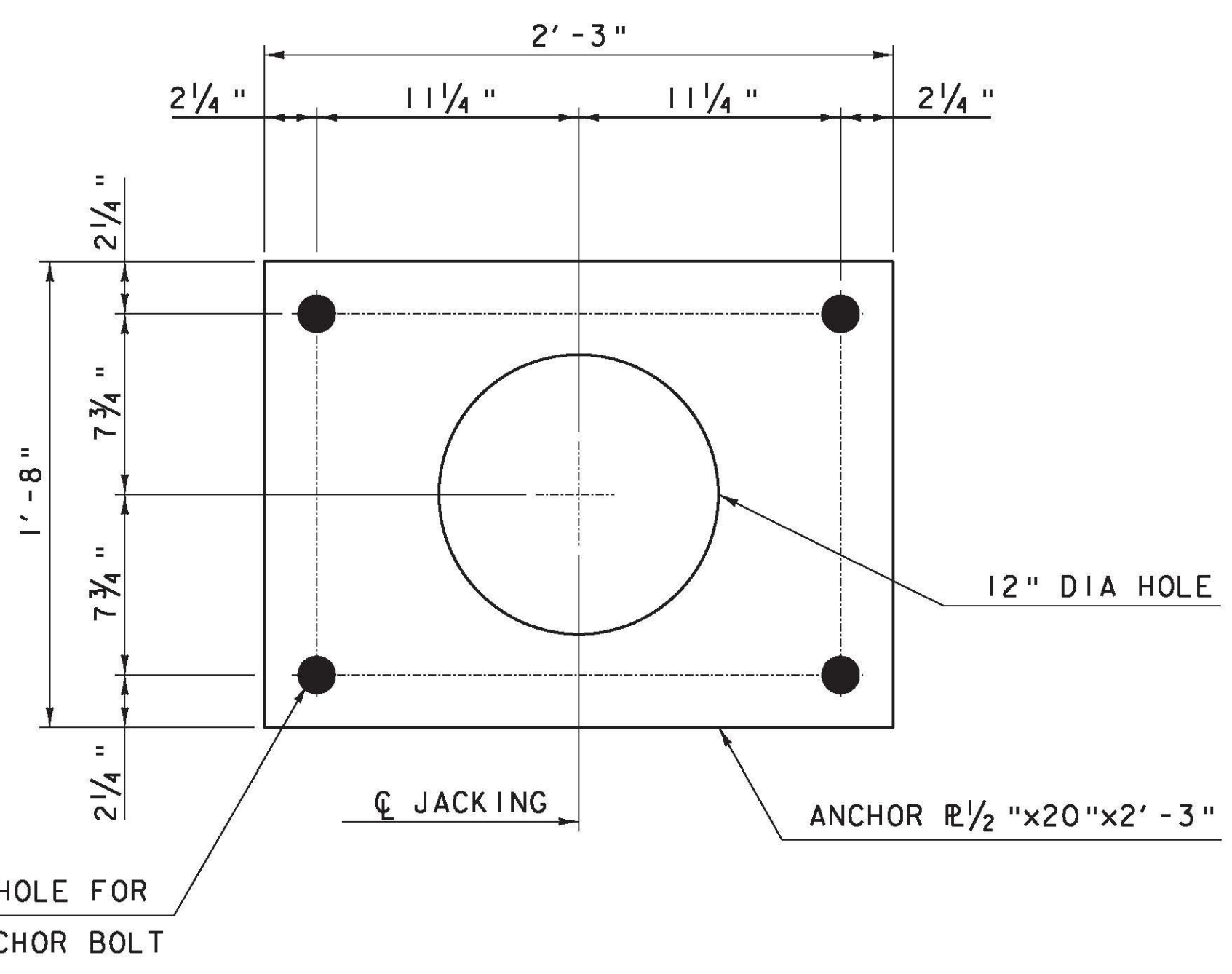
**JACKING BOX SECTION B-B**



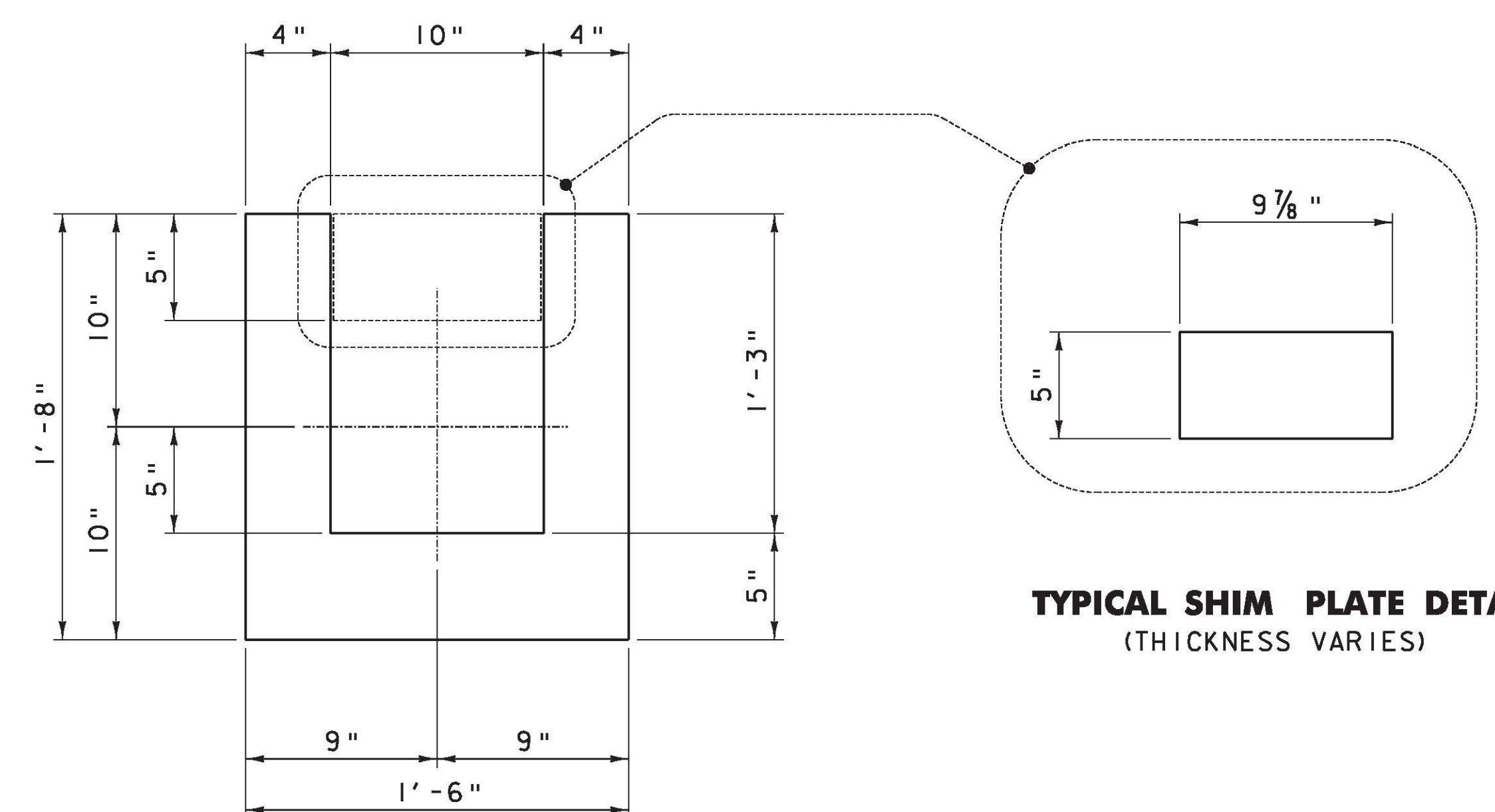
**PLATE WASHER DETAIL**



**LOAD PLATE DETAIL**



**ANCHOR PLATE DETAIL**



**TYPICAL SHIM PLATE DETAIL (THICKNESS VARIES)**

**TYPICAL SHIM PLATE DETAIL (THICKNESS VARIES)**

FILE NAME = v:\projects\enr\222076\cadd\mstr\bridge work\lvs (2-2) jacking\z90c092\_jacking.dtl.06.dgn  
 DATE/TIME = 8/3/2011  
 USER = JPK

**JACKING MEMBER DETAILS**

PROJECT NAME:	RICHMOND
PROJECT NUMBER:	STP-RS 0284(III)
FILE NAME:	z90c092 jacking dtl06.dgn
PROJECT LEADER:	DJV
DESIGNED BY:	DJV/CTA
DWG. NO.:	J8
PLOT DATE:	8/3/2011
DRAWN BY:	PKR
CHECKED BY:	VC/KM
SHEET	XX OF XX