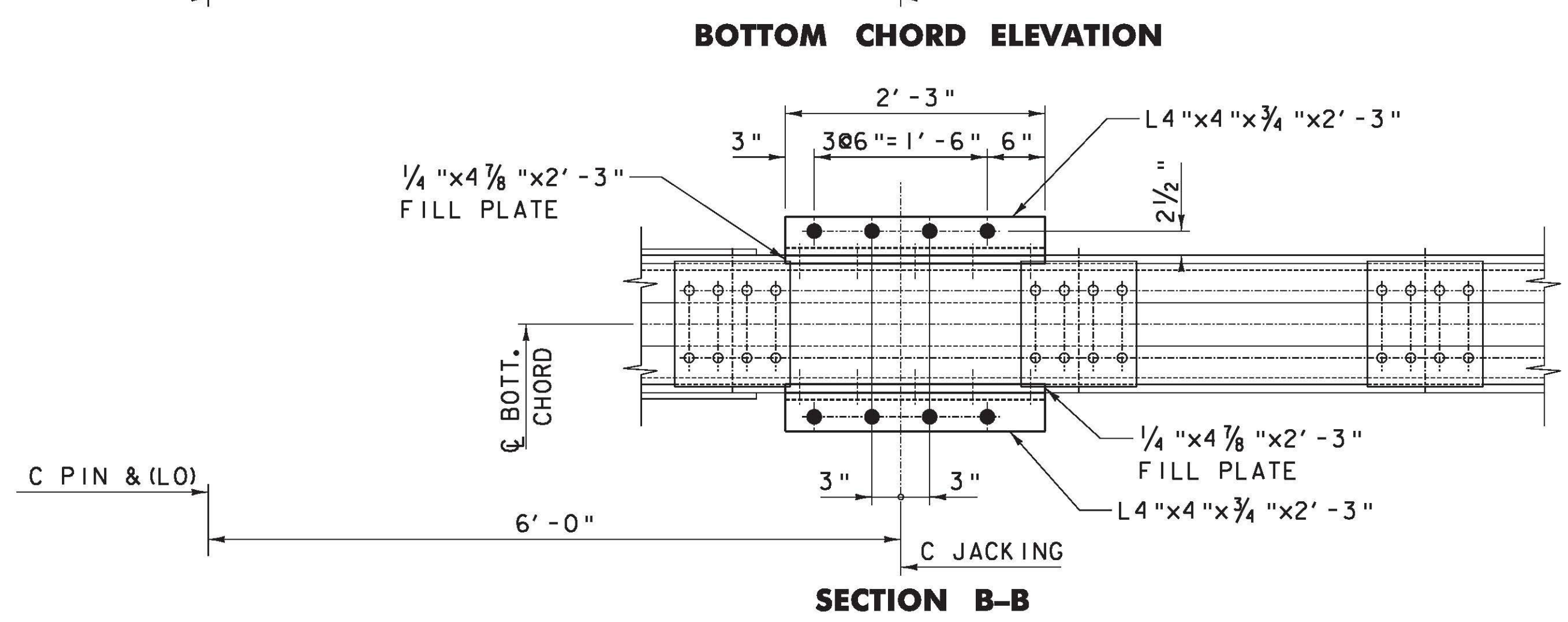
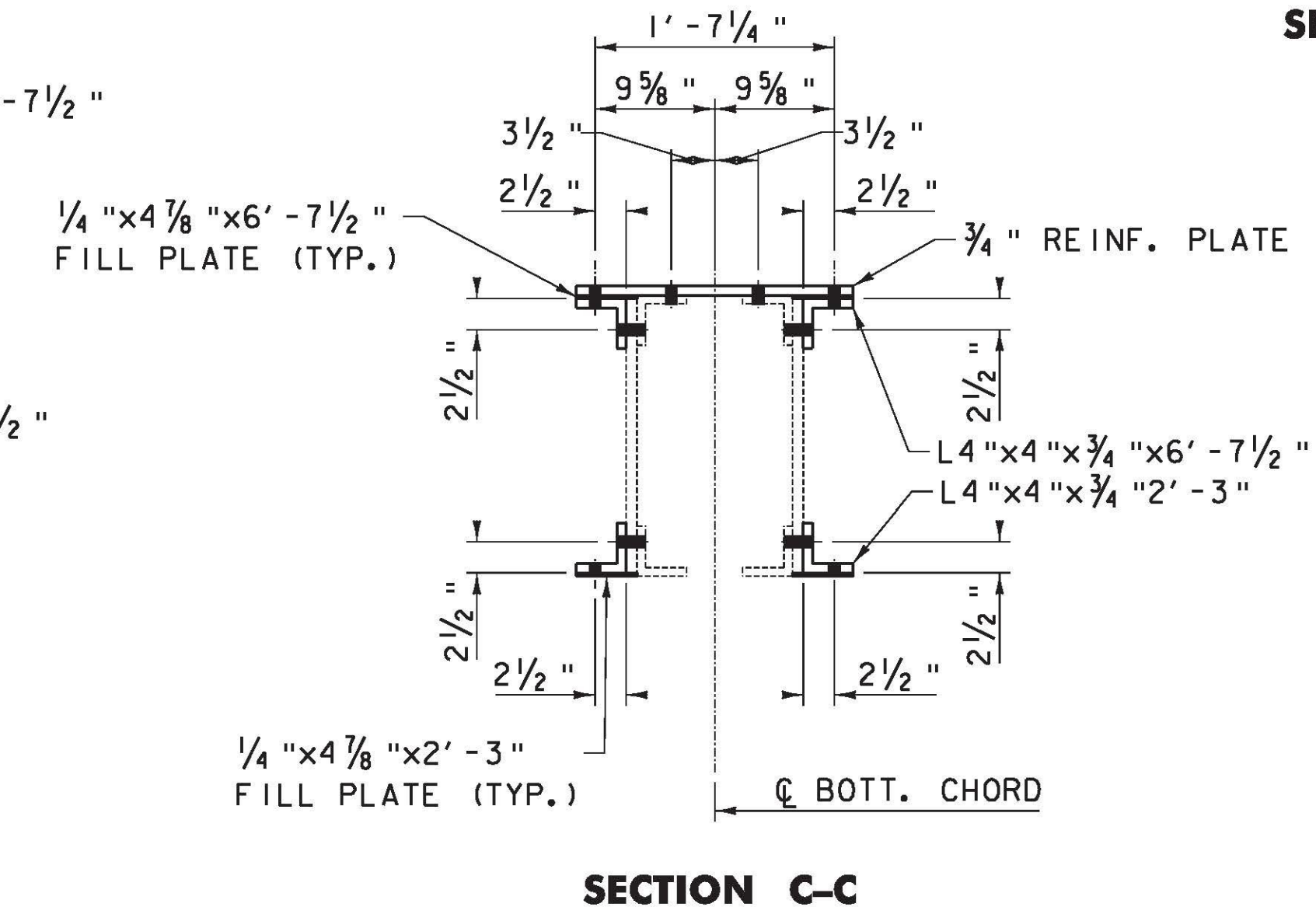
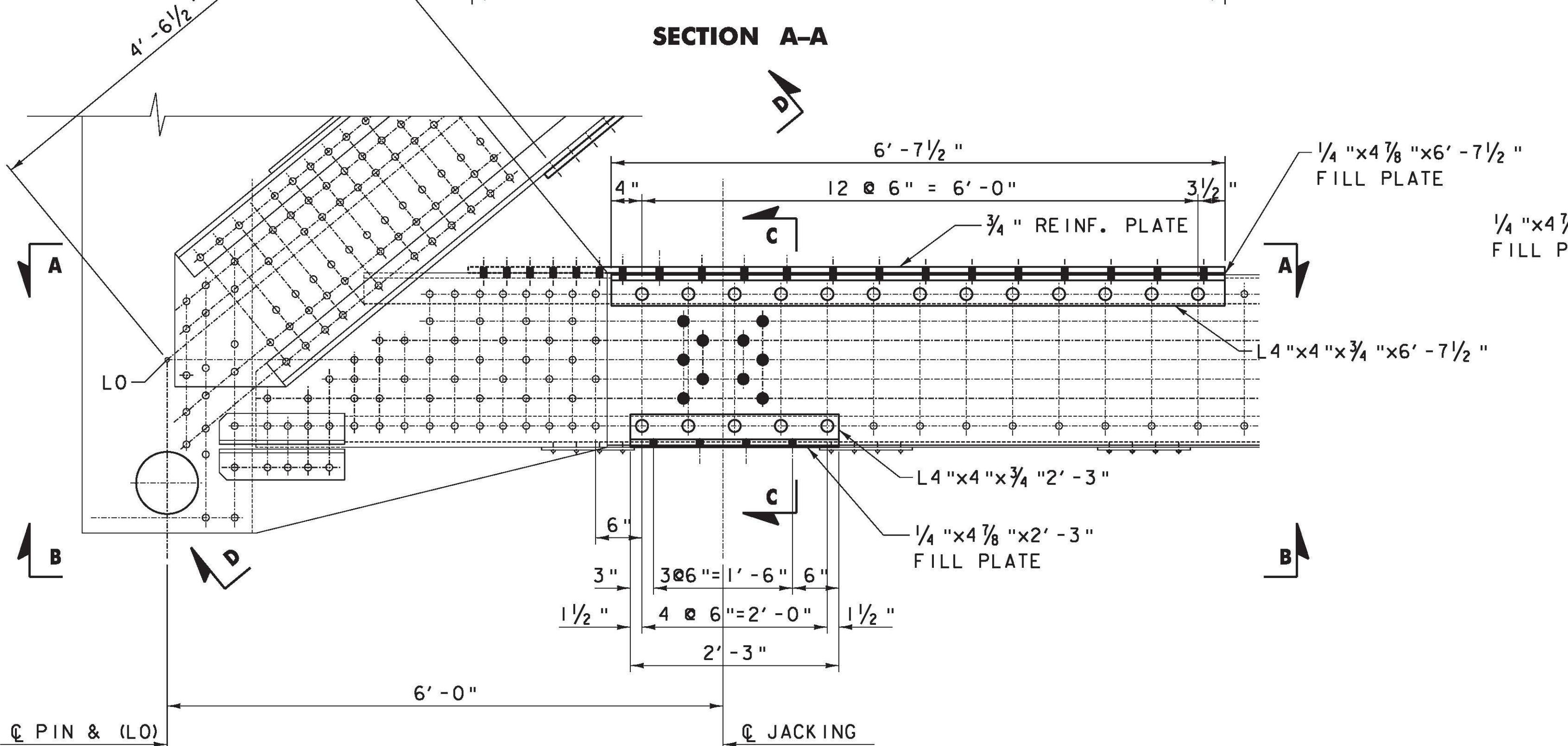
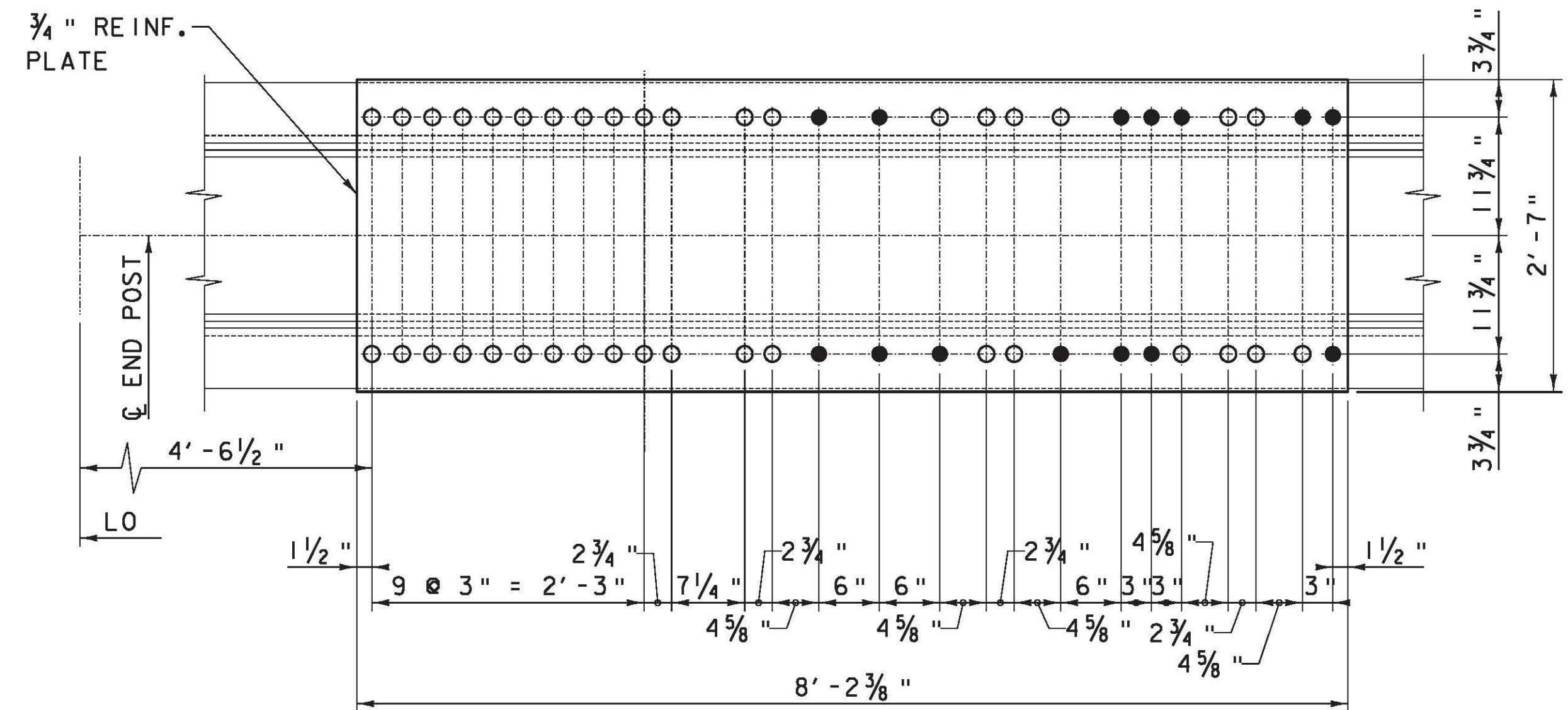
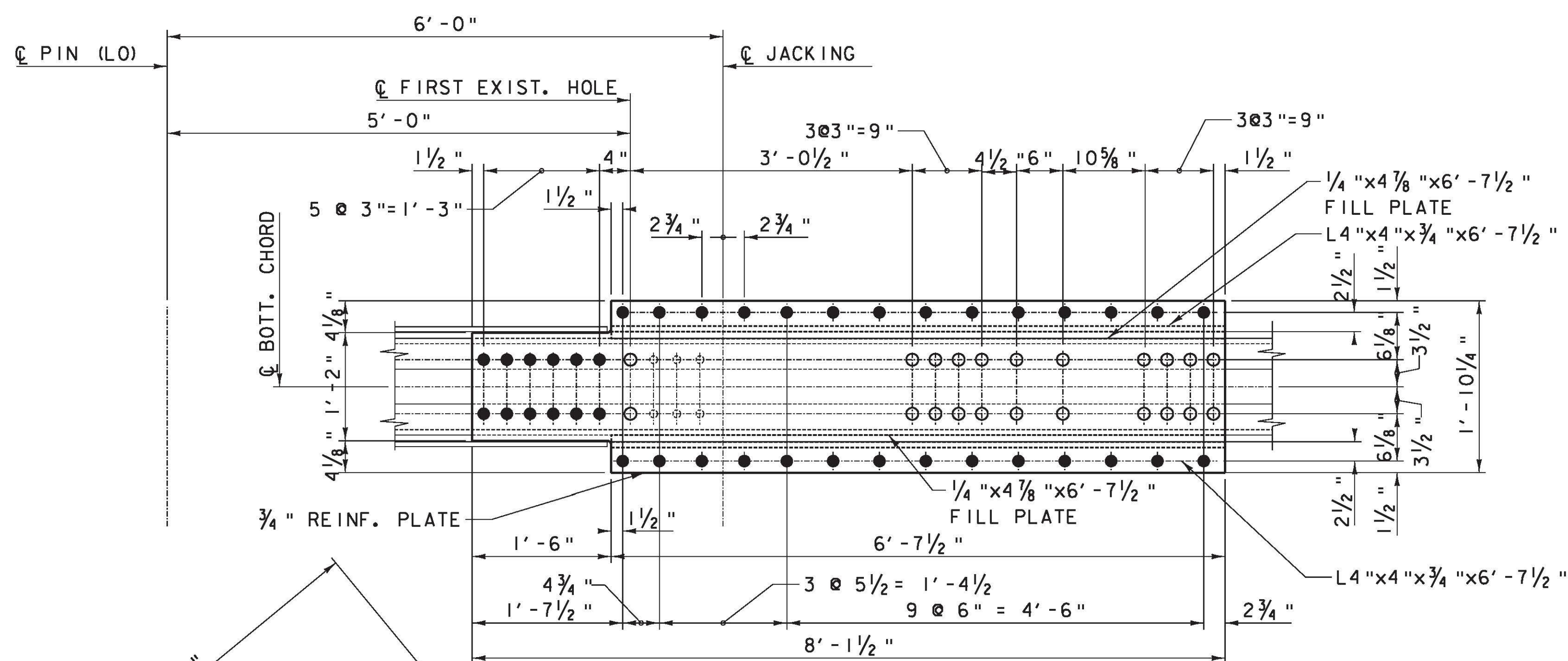


FILE NAME = v:\projects\enr\12-222076\cadd\mstr\brdge work\wbs (2-2) jacking\z90c092_jacking-dtl.04.dgn
 DATE/TIME = 8/3/2011
 USER = JCF



- NOTES:**
- ⊙ - MATCHING EXISTING HOLE
 - - MATCHING FIELD DRILLED HOLE

JACKING MEMBER DETAILS	PROJECT NAME: RICHMOND	PLOT DATE: 8/3/2011
	PROJECT NUMBER: STP-RS 0284(III)	DRAWN BY: PKR
	FILE NAME: z90c092 jacking dtl04.dgn	CHECKED BY: DJV
	PROJECT LEADER: DJV DESIGNED BY: CTA/PP DWG. NO.: J6	SHEET XX OF XX