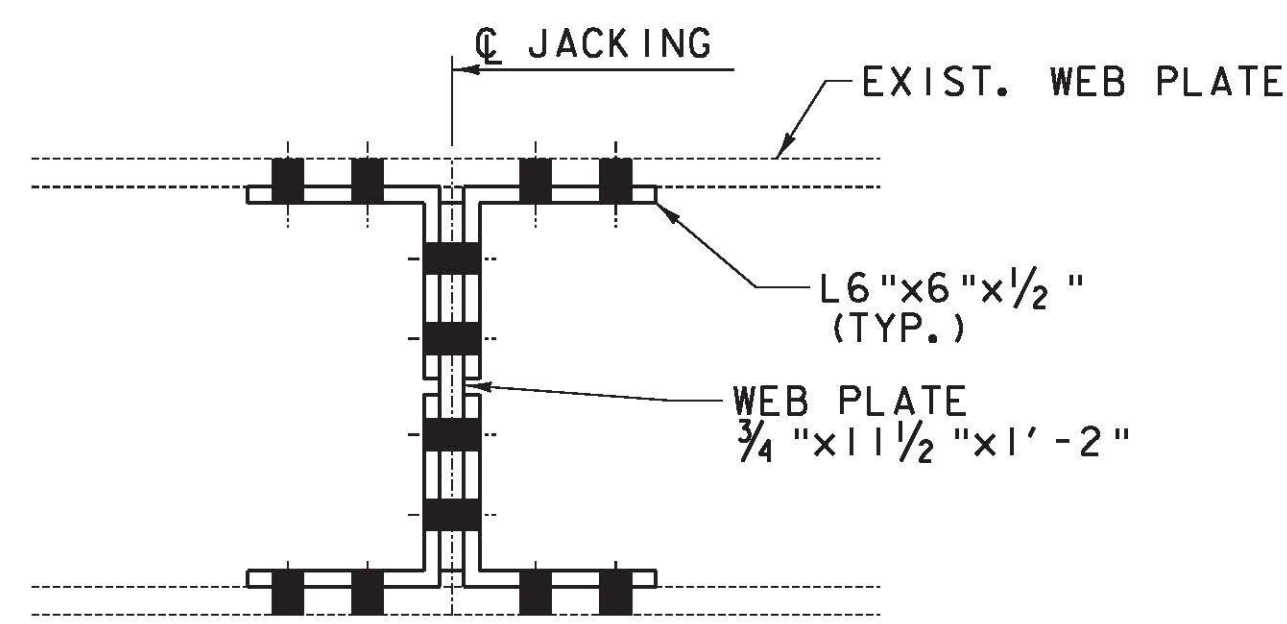
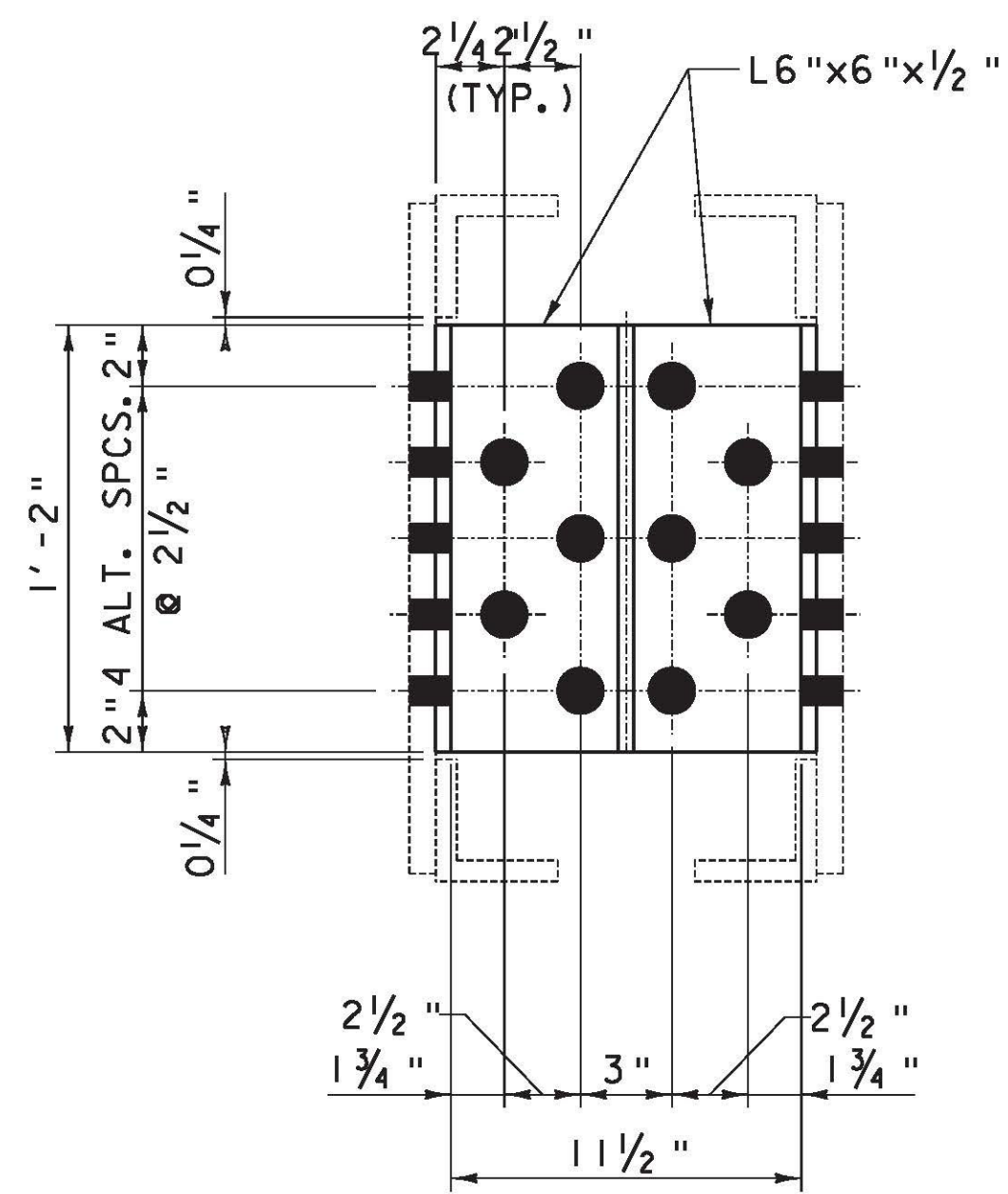


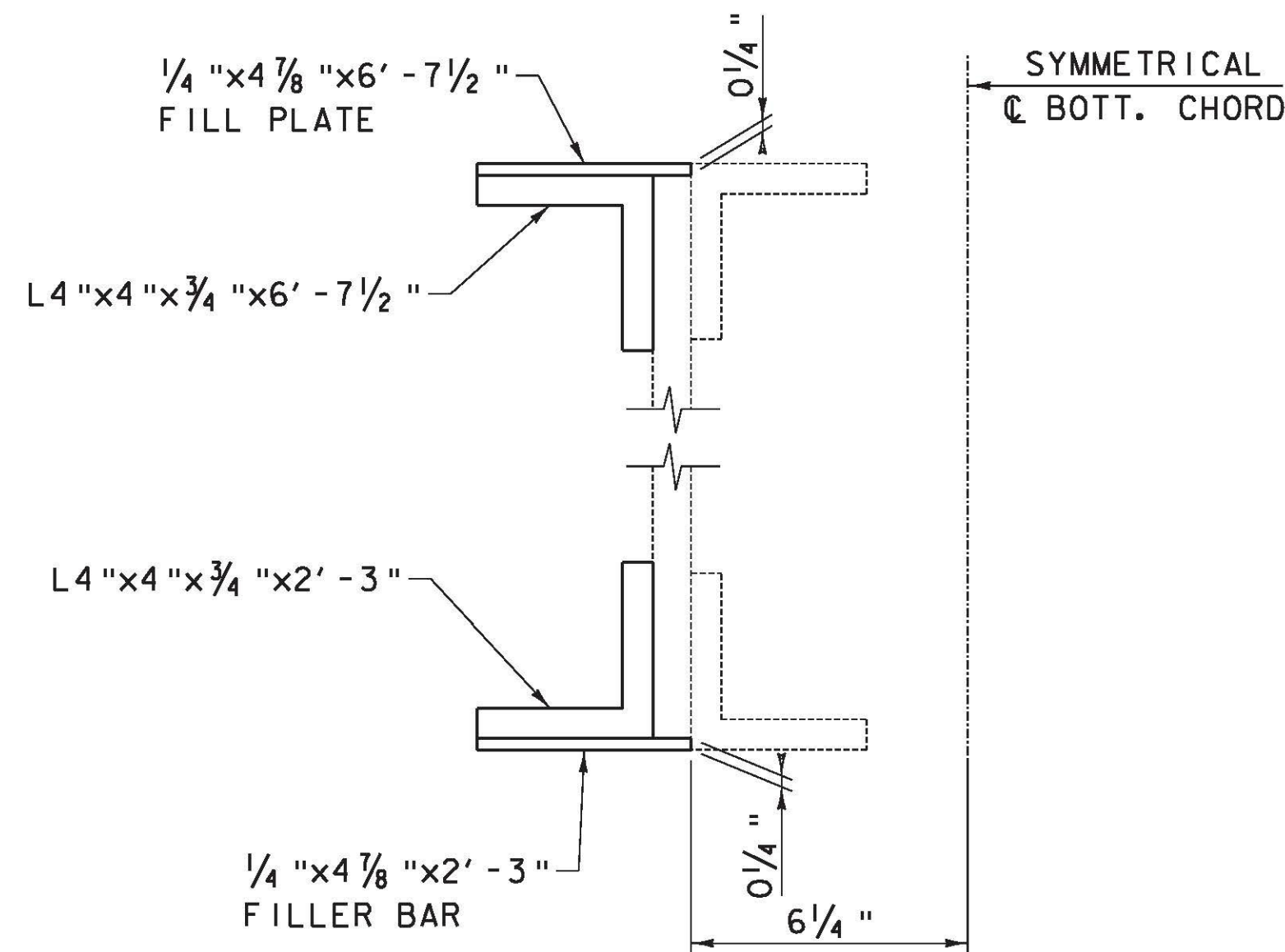
INTERNAL DIAPHRAGM ELEVATION



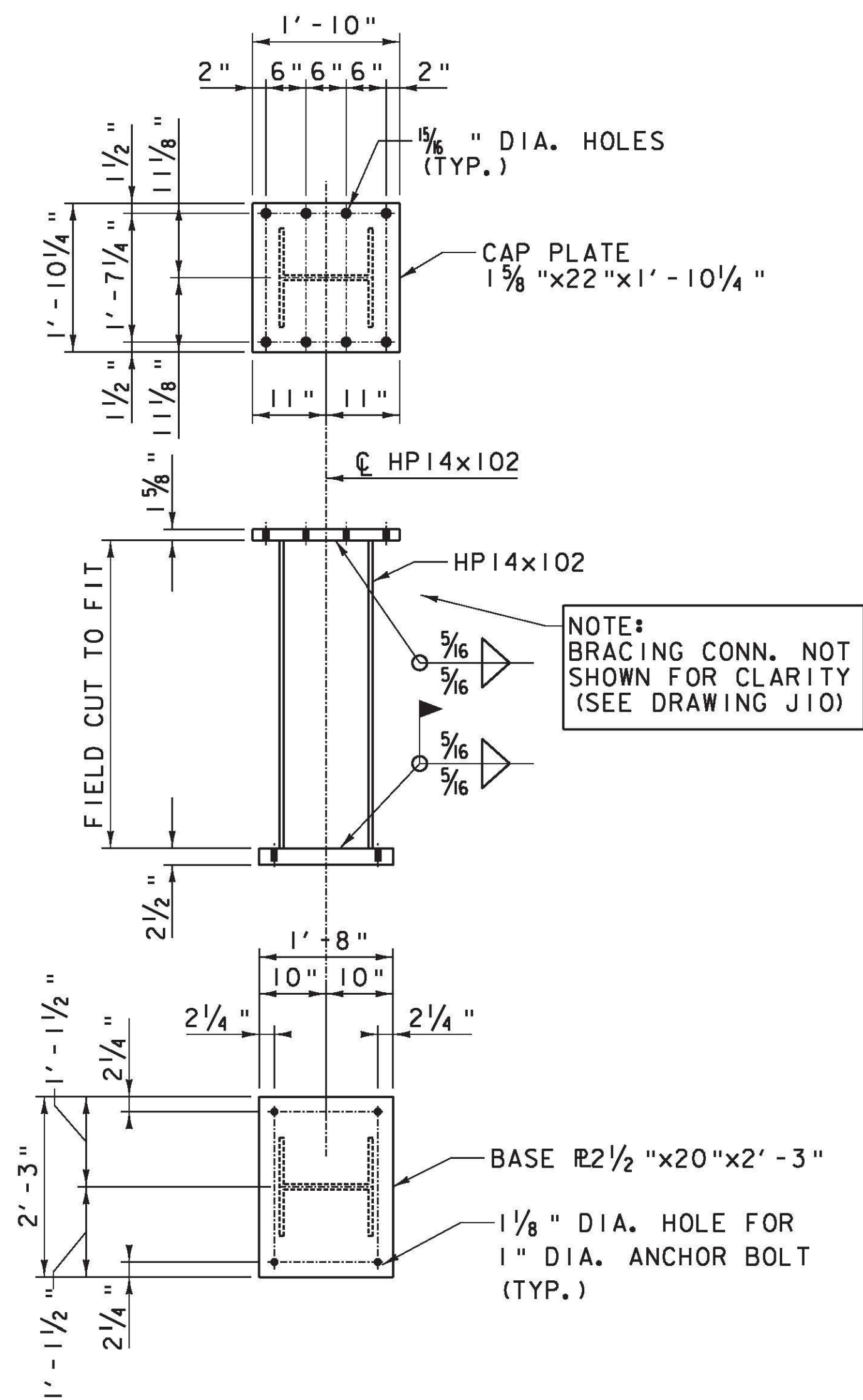
SECTION A-A



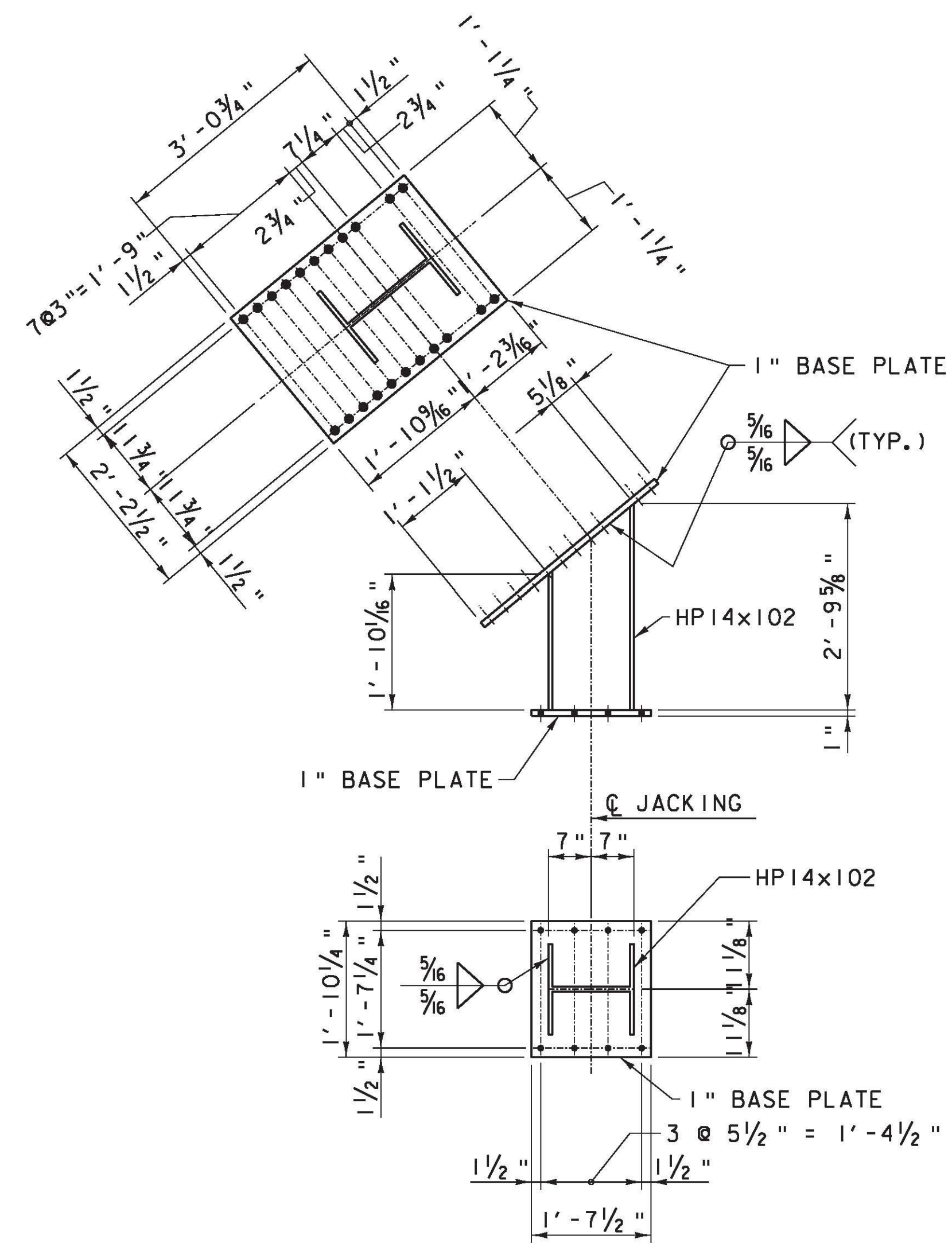
SECTION B-B



FILLER BAR DETAIL



JACKING COLUMN DETAIL



SUPPORT COLUMN DETAIL

FILE NAME = v:\projects\enr\222076\cadd\mstr\bridge work\brdgework\jacking\222076_jacking-dtl.03.dgn
 DATE/TIME = 8/3/2011
 USER = JPS

JACKING MEMBER DETAILS	PROJECT NAME: RICHMOND	PLOT DATE: 8/3/2011
	PROJECT NUMBER: STP-RS 0284(III)	DRAWN BY: PKR
	FILE NAME: z90c092 obt rnf 03.dgn	CHECKED BY: VC/KM
	PROJECT LEADER: DJV	SHEET XX OF XX
	DESIGNED BY: CTA/PP	
	DWG. NO.: J5	