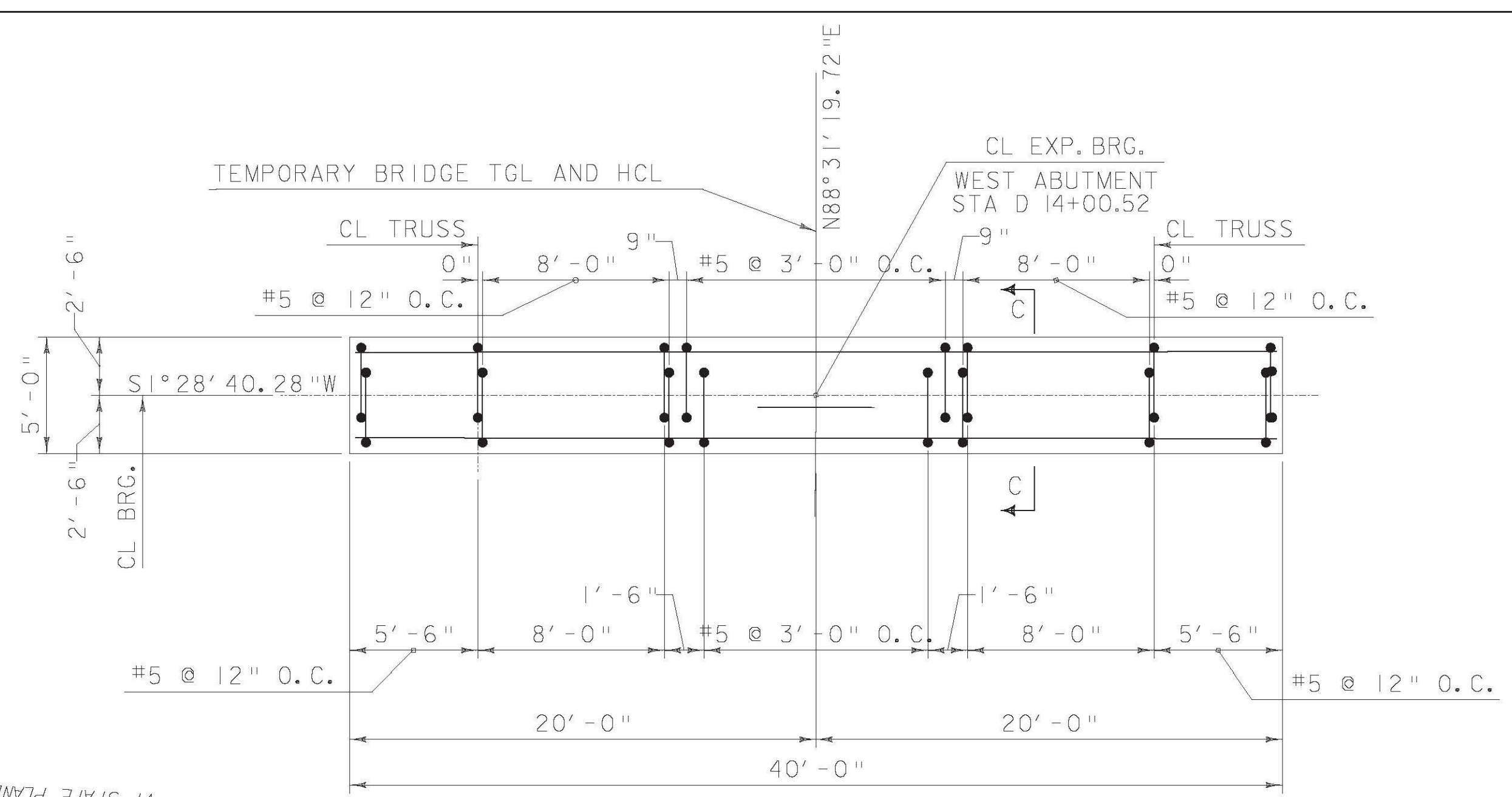
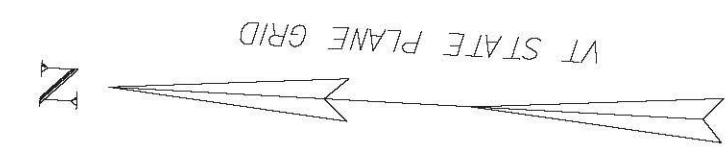
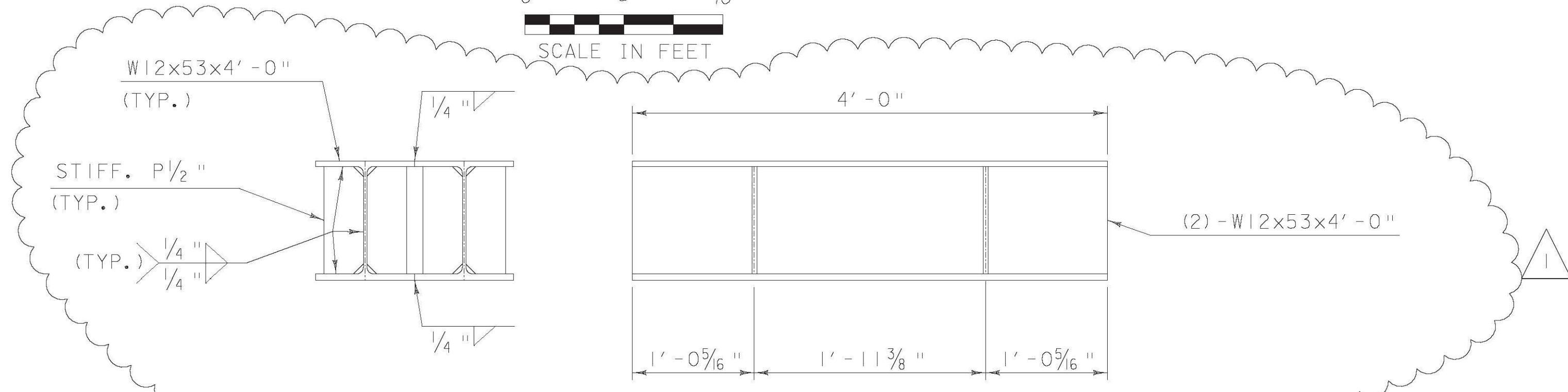
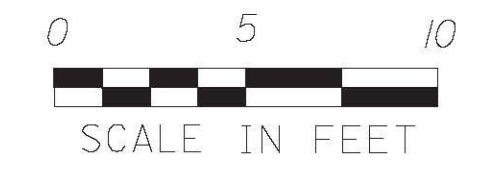


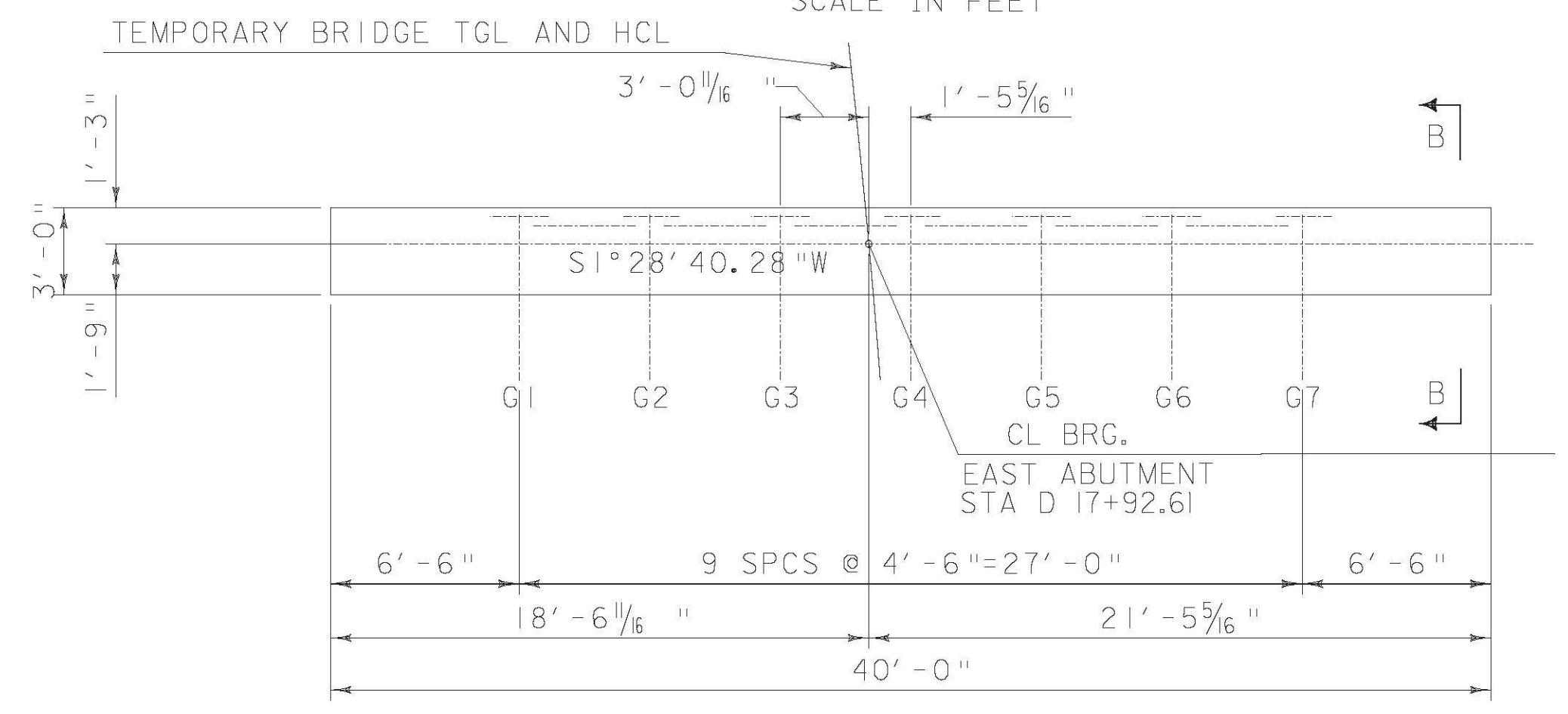
PIER 2 PLAN



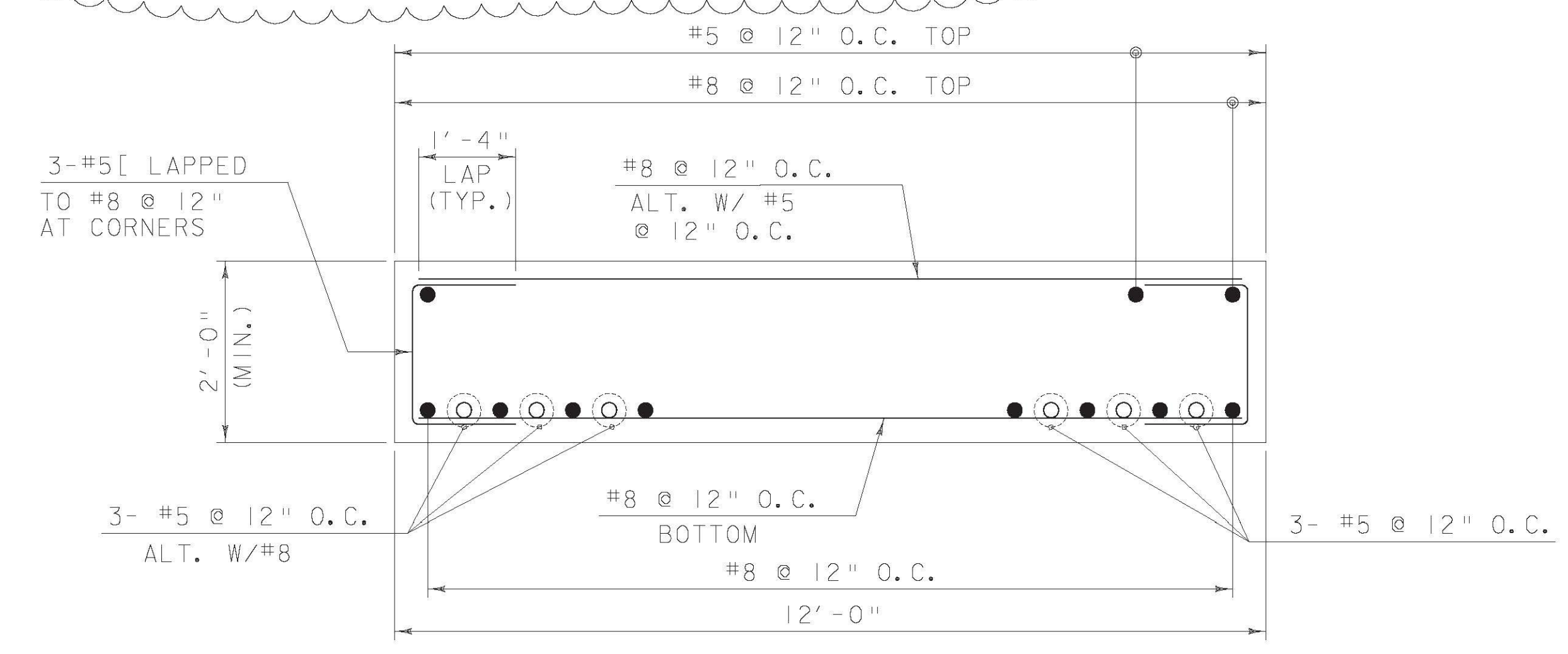
WEST ABUTMENT PLAN



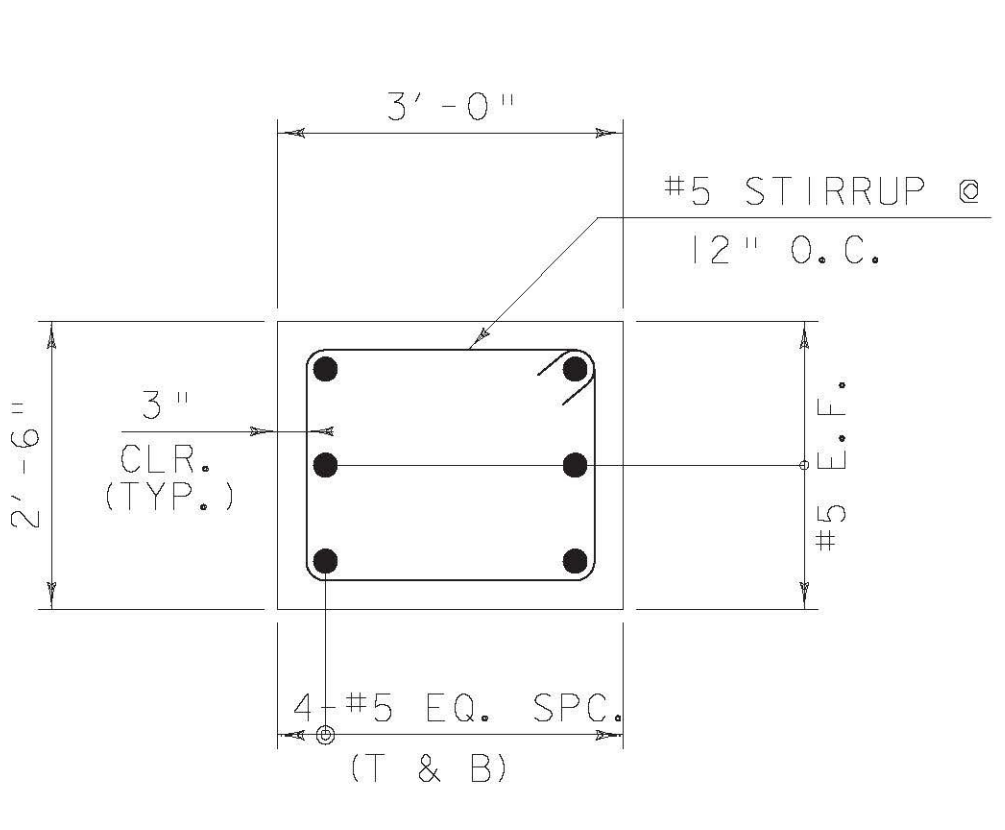
EAST ABUTMENT BOLSTER ASSEMBLY DETAIL



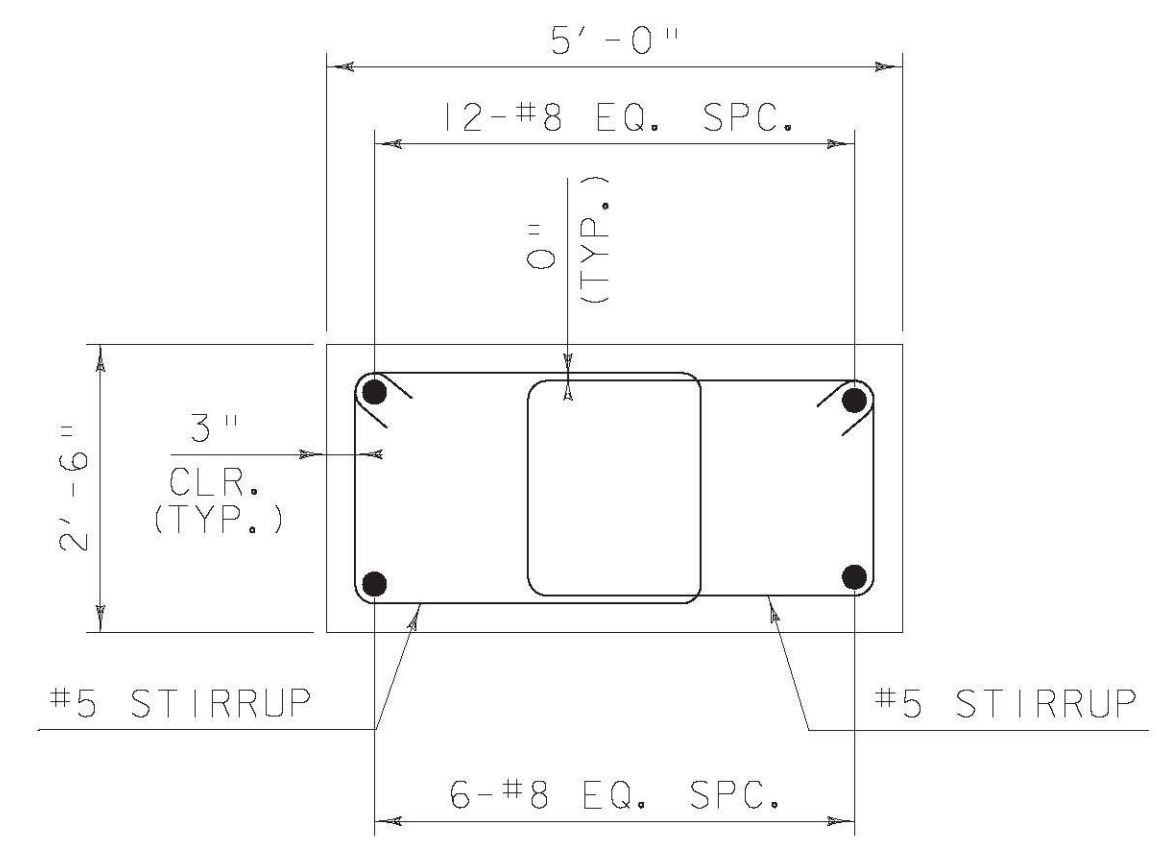
EAST ABUTMENT PLAN



SECTION A-A



SECTION B-B



SECTION C-C

SUBSTRUCTURE DETAILS

PROJECT NAME:	RICHMOND
PROJECT NUMBER:	STP-RS 0284(III)
FILE NAME:	z90c092 TMP SUBSTR.dgn
PROJECT LEADER:	DJV
DESIGNED BY:	DJV
DWG. NO.:	I7
PLOT DATE:	6/21/2011
DRAWN BY:	PKR
CHECKED BY:	VC/KM
SHEET	17 OF XX

FILE NAME = v:\projects\Richmond\2011\bridge\work\k\kbs (1-15) temporary_bridges\z90c092_TMP_SUBSTR.dgn
DATE/TIME = 6/21/2011 10:58:33 AM
USER = 3253