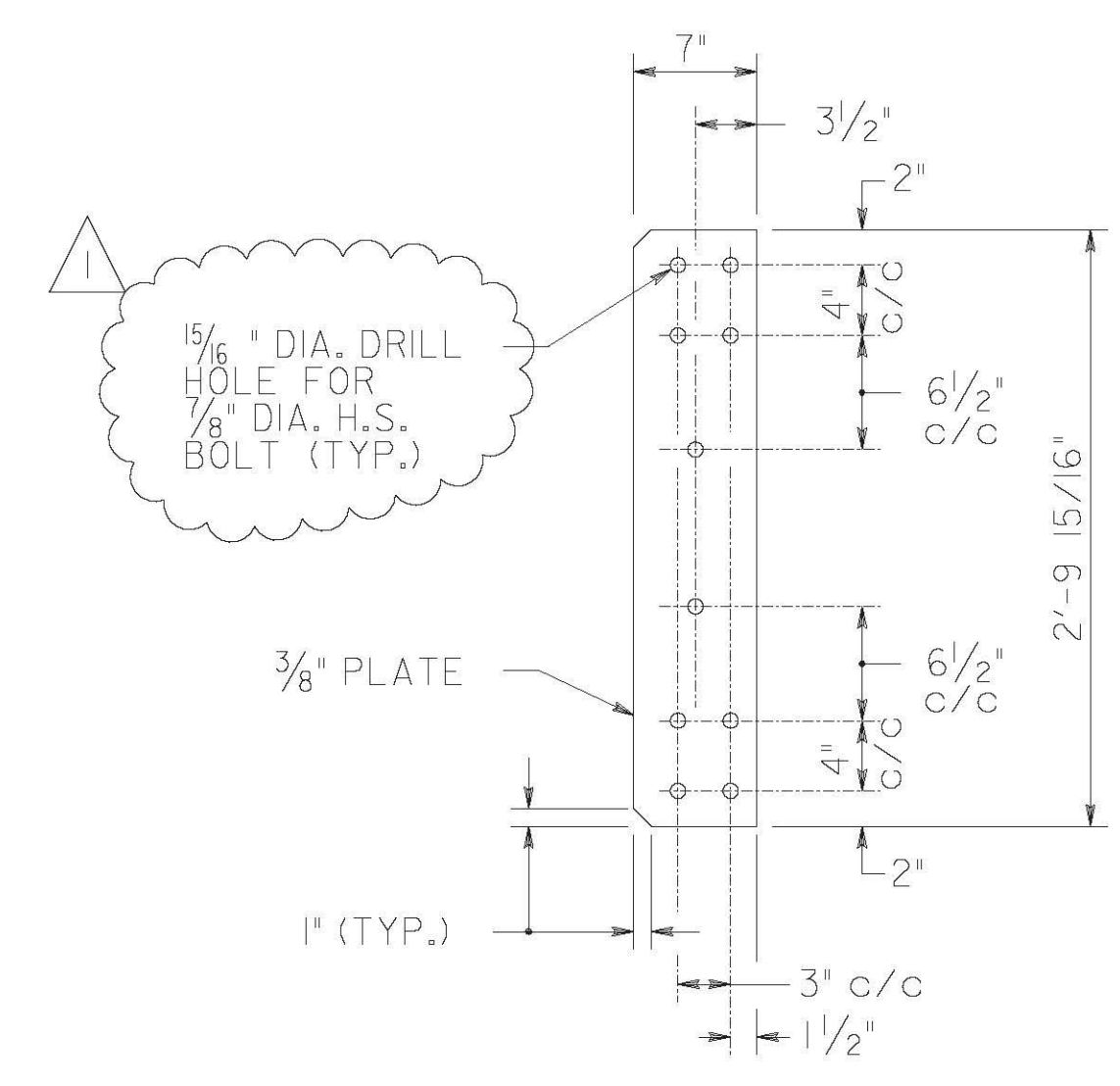


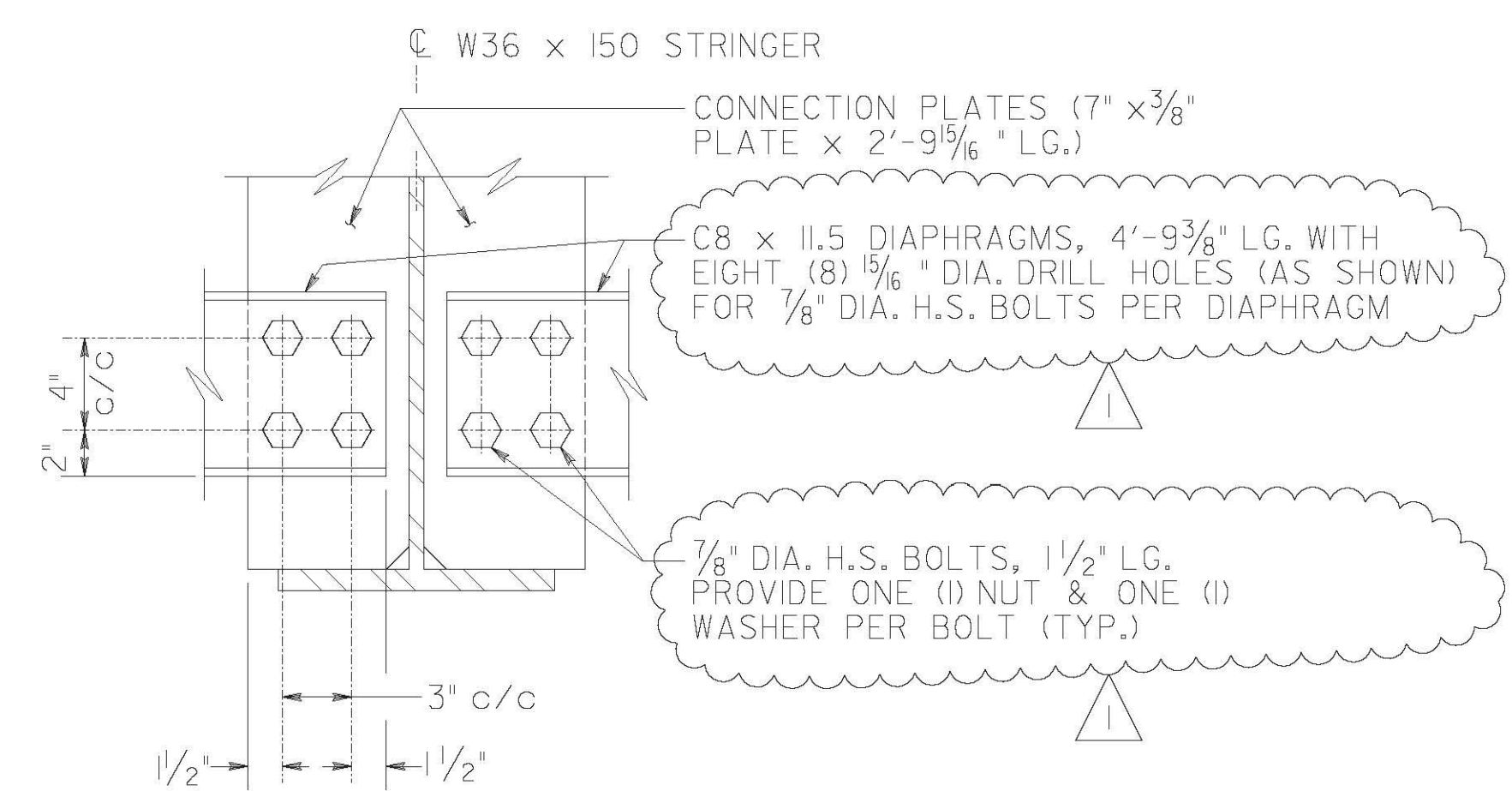
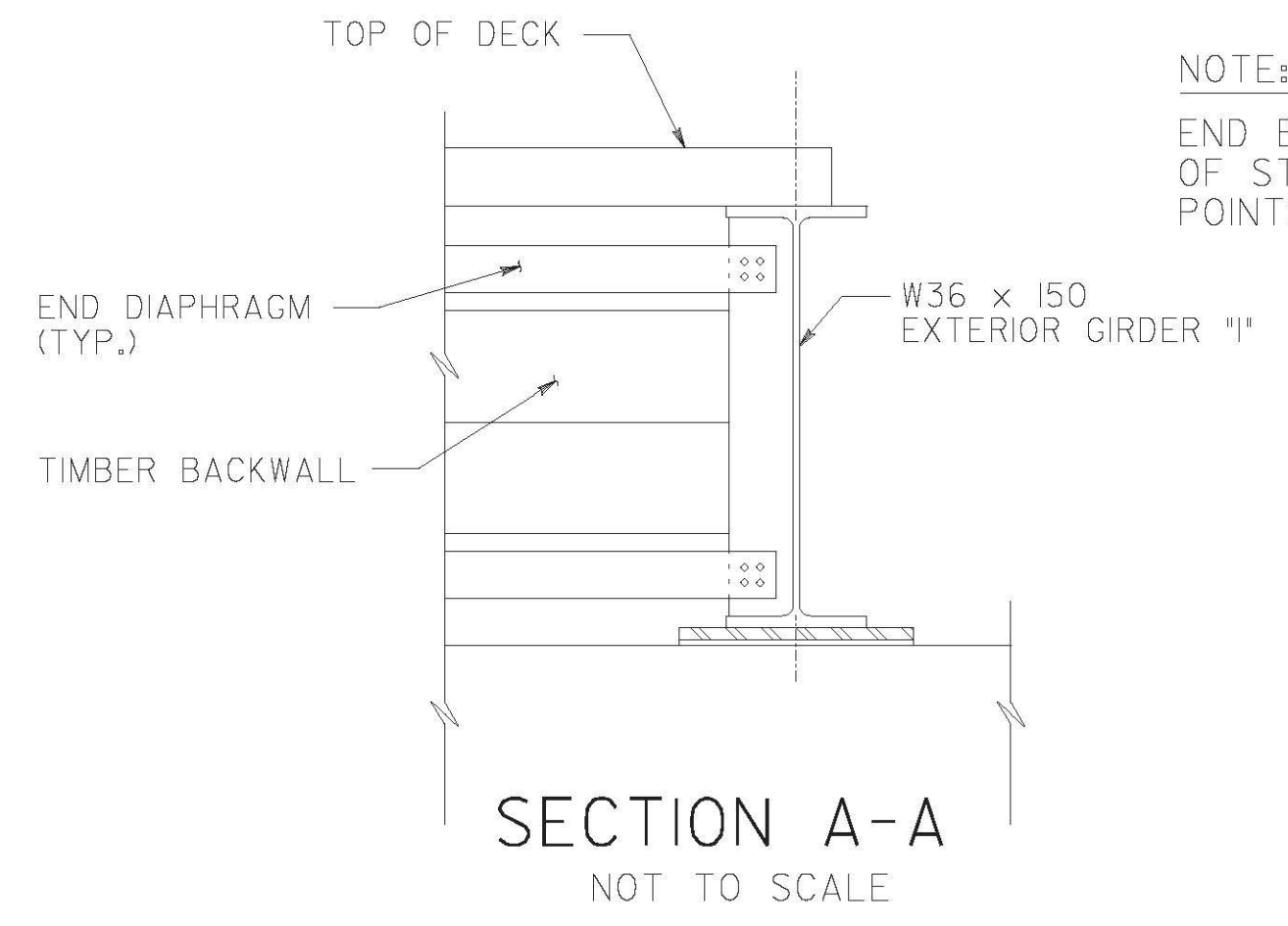
CONNECTION PLATE DETAIL (INTERMEDIATE DIAPHRAGM)
NOT TO SCALE



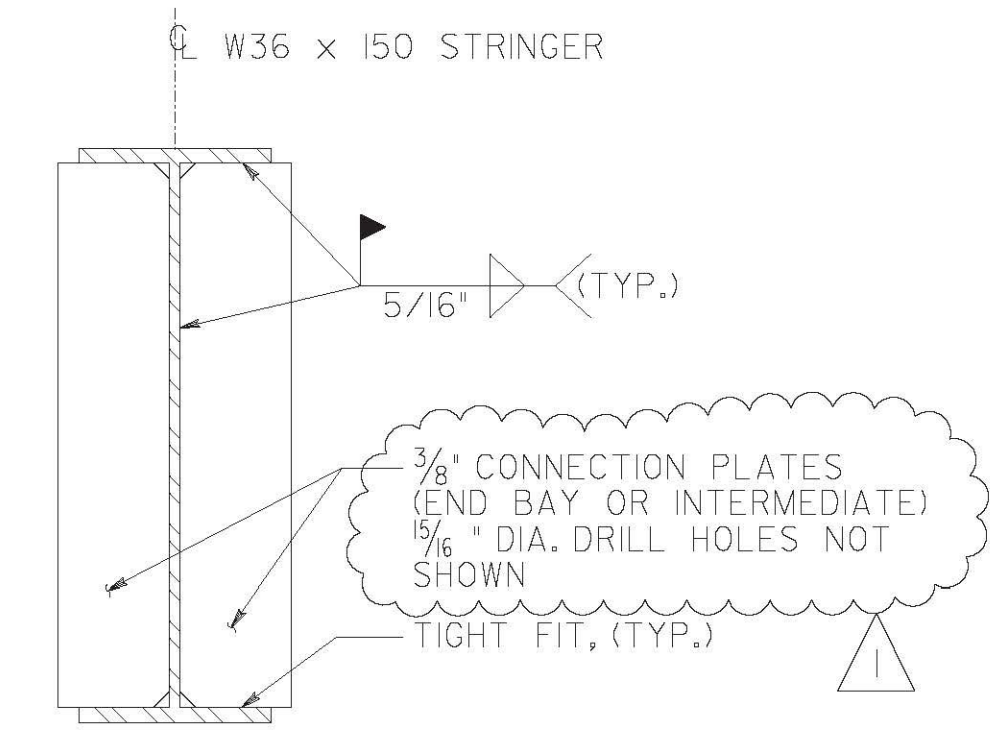
CONNECTION PLATE DETAIL (END BAY DIAPHRAGM)
NOT TO SCALE

TYPICAL SECTION SPAN 3 (LOOKING UPSTATION)
NOT TO SCALE

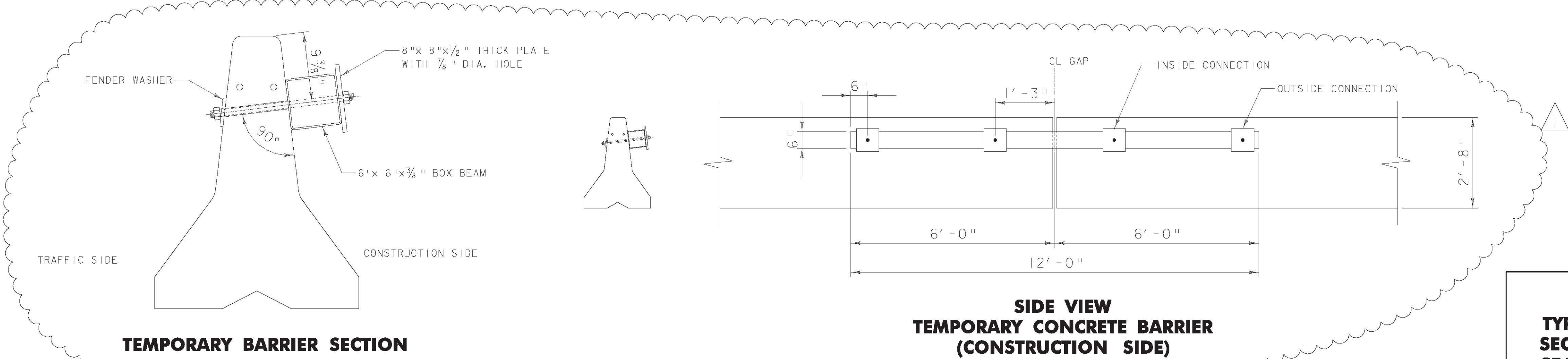
NOTE:
END BAY DIAPHRAGMS SHALL BE LOCATED AT BOTH ENDS OF STRUCTURE & INTERMEDIATE DIAPHRAGMS AT THIRD POINTS (2'-2" ± c/c).



DETAIL "A" (TYPICAL DIAPHRAGM CONNECTION)
NOT TO SCALE



TYPICAL CONNECTION PLATE WELDING DETAIL
NOT TO SCALE



NOTE:
1. ALL WELDING TO BE PERFORMED IN ACCORDANCE WITH THE NEW YORK STATE STEEL CONSTRUCTION MANUAL.

TYPICAL SECTION SPAN 3

PROJECT NAME:	RICHMOND
PROJECT NUMBER:	STP-RS 0284(III)
FILE NAME:	z90c092 TMP STL DET 1.dgn
PROJECT LEADER:	DJV
DESIGNED BY:	DJV
DWG. NO.:	6
PLOT DATE:	6/21/2011
DRAWN BY:	PKR
CHECKED BY:	VC/KM
SHEET	6 OF XX

FILE NAME = v:\projects\Richmond\2011\22076\cadd\mstr\bridge work\kvb (1-15) temporary bridge work\z90c092 TMP STL DET 1.dgn
DATE/TIME = 6/21/2011 10:58:53 AM
USER = 3253