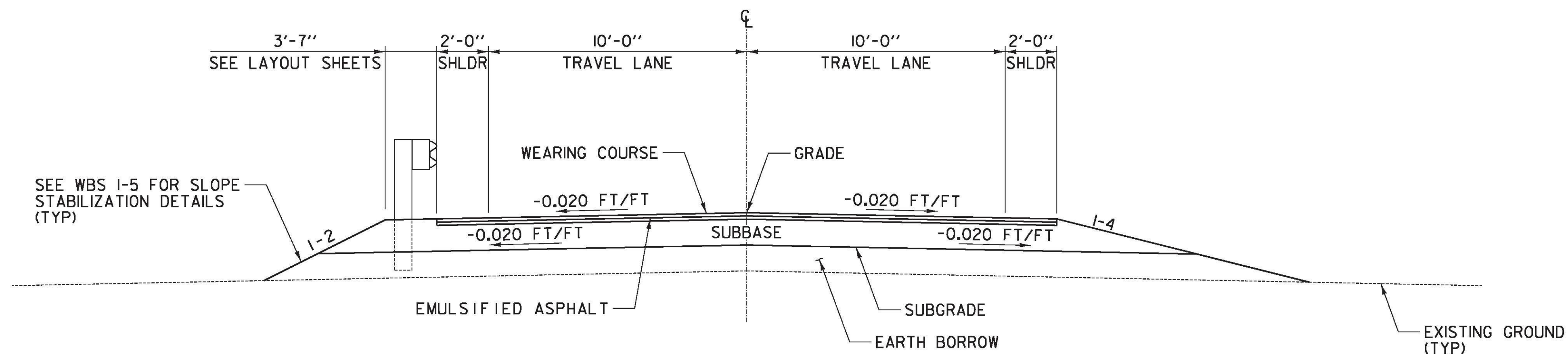


**TYPICAL SECTIONS**  
**JOHNNIE BROOK ROAD DETOUR & CAT LANE DETOUR**

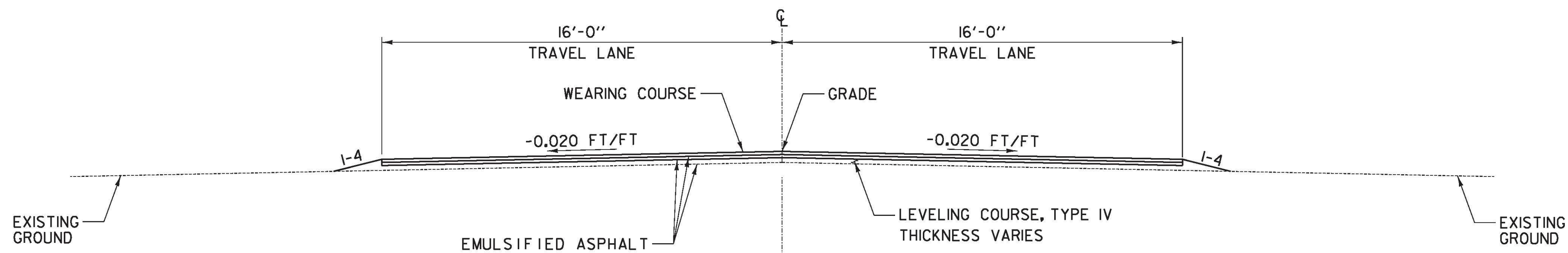
MATERIAL ITEM	THICKNESS TOLERANCE
PAVEMENT COURSES (TOTAL DEPTH)	± 1/2"
SUBBASE	± 1"
EARTH BORROW	± 1"

3" WEARING COURSE, BITUMINOUS CONCRETE PAVEMENT (PG 58-34), 1 1/2" TYPE III, 1 1/2" TYPE III  
 12" SUBBASE OF DENSE GRADED CRUSHED STONE

EMULSIFIED ASPHALT SHALL BE APPLIED ON ALL EXISTING PAVEMENT SURFACES, BETWEEN ALL COURSES OF PAVEMENT AND ON COLD PLANED SURFACES AT THE RATE OF 0.025 GAL/SY OR AS DIRECTED BY THE RESIDENT ENGINEER.



**JOHNNIE BROOK ROAD DETOUR TYPICAL**  
 STA DJ 5+11.00 TO STA DJ 7+25.00



**CAT LANE DETOUR TYPICAL**  
 STA DC 4+11.00 TO STA DC 5+05.00

NOT TO SCALE

**DETOUR TYPICAL SECTION SHEET #2**

PROJECT NAME: RICHMOND  
 PROJECT NUMBER: STP-RS 0284(III)  
 FILE NAME: z90c092\_typ\_13.dgn  
 PROJECT LEADER: D.E.G.  
 DESIGNED BY: B.T.H.  
 DWG. NO.: TS-2

PLOT DATE: 6/17/2011  
 DRAWN BY: C.A.K.  
 CHECKED BY: D.E.G.  
 SHEET 3 OF 29

FILE NAME = V:\P\Projects\2011\22076\CAOD\JSTN\WBS 01-131\DETOUR\z90c092\_typ\_13.dgn  
 DATE/TIME = 6/17/2011  
 USER = 3086