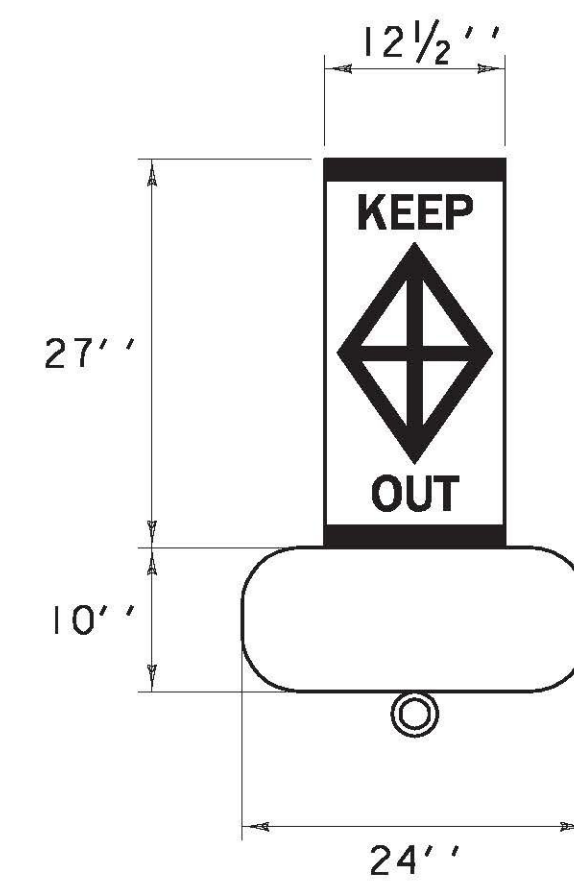


COLOR: BLACK BORDER & TEXT
WHITE BACKGROUND (REFLECTORIZED)

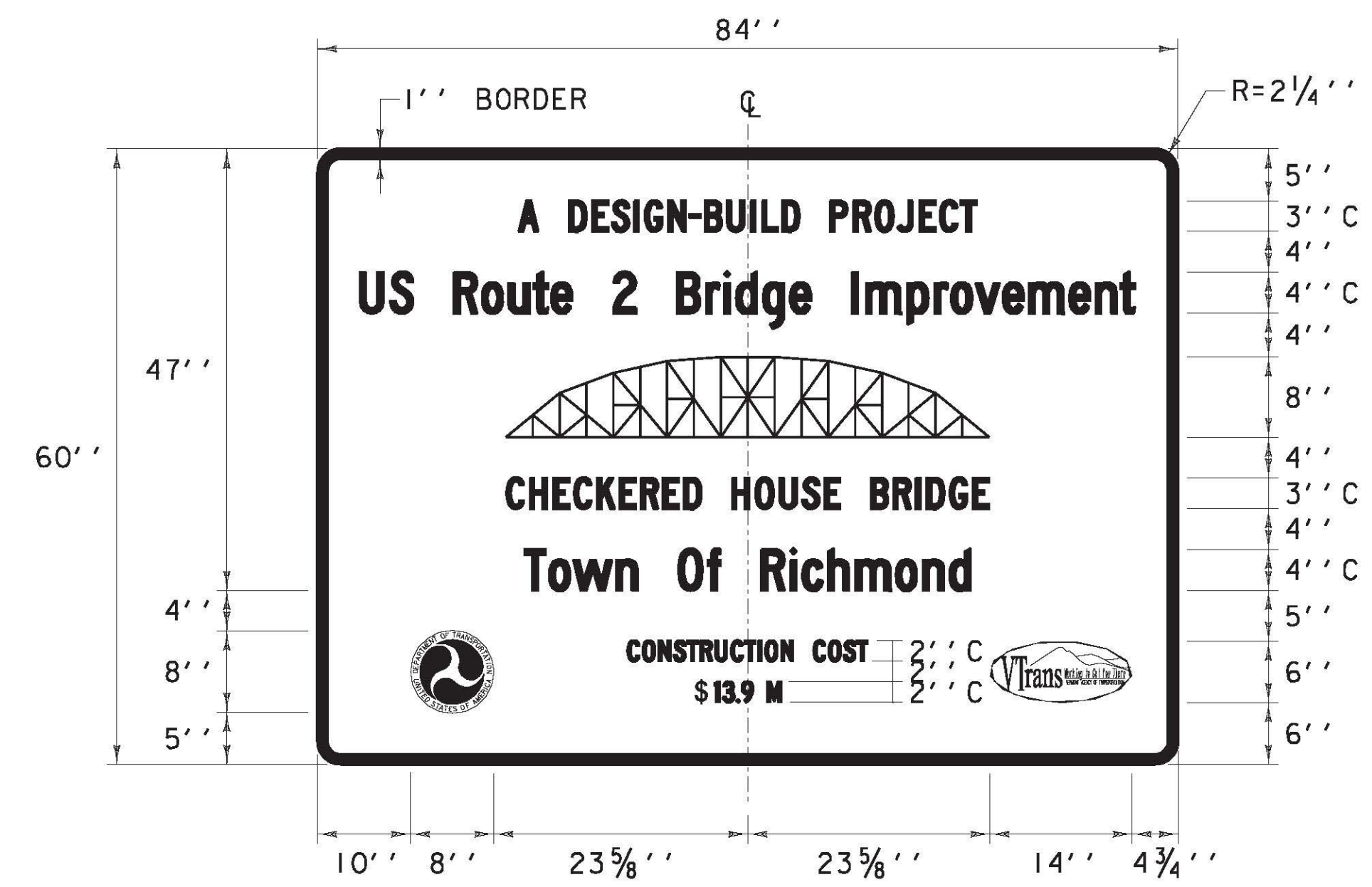
MATERIAL: PER VAOT STANDARD E-144

LOCATION: SEE GLOBAL APPROACH SIGNING



BUOY DETAIL

NOTE: BUOY SHALL BE "JIM BUOY MODEL #3000" OR APPROVED EQUAL. BUOY SHALL BE REFLECTORIZED.



COLOR: GREEN BORDER & TEXT (REFLECTORIZED)
WHITE BACKGROUND (REFLECTORIZED)

MATERIAL: PER VAOT STANDARD E-131

LOCATION: SEE GLOBAL APPROACH SIGNING

<input checked="" type="checkbox"/> Reviewed	<input type="checkbox"/> Furnish As Corrected
<input type="checkbox"/> Rejected	<input type="checkbox"/> Revise and Resubmit

This review is only for general conformance with the design concept and the information given in the Construction Documents. Corrections or comments made on the shop drawings during the review do not relieve the Contractor from compliance with the requirements of the Plans and Specifications. Review of a specific item shall not include review of an assembly of which an item is a component. The Contractor is responsible for dimensions to be confirmed and corrected at the job site; information that pertains solely to the fabrication process or to the means, methods, techniques, sequences and procedures of construction; coordination of the Work with that of other trades and performing all Work in a safe and satisfactory manner.

Date: April 14, 2011

By: J. Santacruce

TRAFFIC SIGN DETAILS SHEET	PROJECT NAME: RICHMOND
	PROJECT NUMBER: STP-RS 0284(III)
	FILE NAME: z90c092_TSD_17.dgn
	PROJECT LEADER: D.E.G.
DESIGNED BY: B.T.H.	PLOT DATE: 4/14/2011
DWG. NO.: TSD-1	DRAWN BY: C.A.K.
	CHECKED BY: D.E.G.
	SHEET 7 OF 7

FILE NAME = v:\projects\enr\222076\cadd\mstr\ubs (1-17)\trans management\z90c092_tsd_17.dgn
DATE/TIME = 4/14/2011
USER = 3086