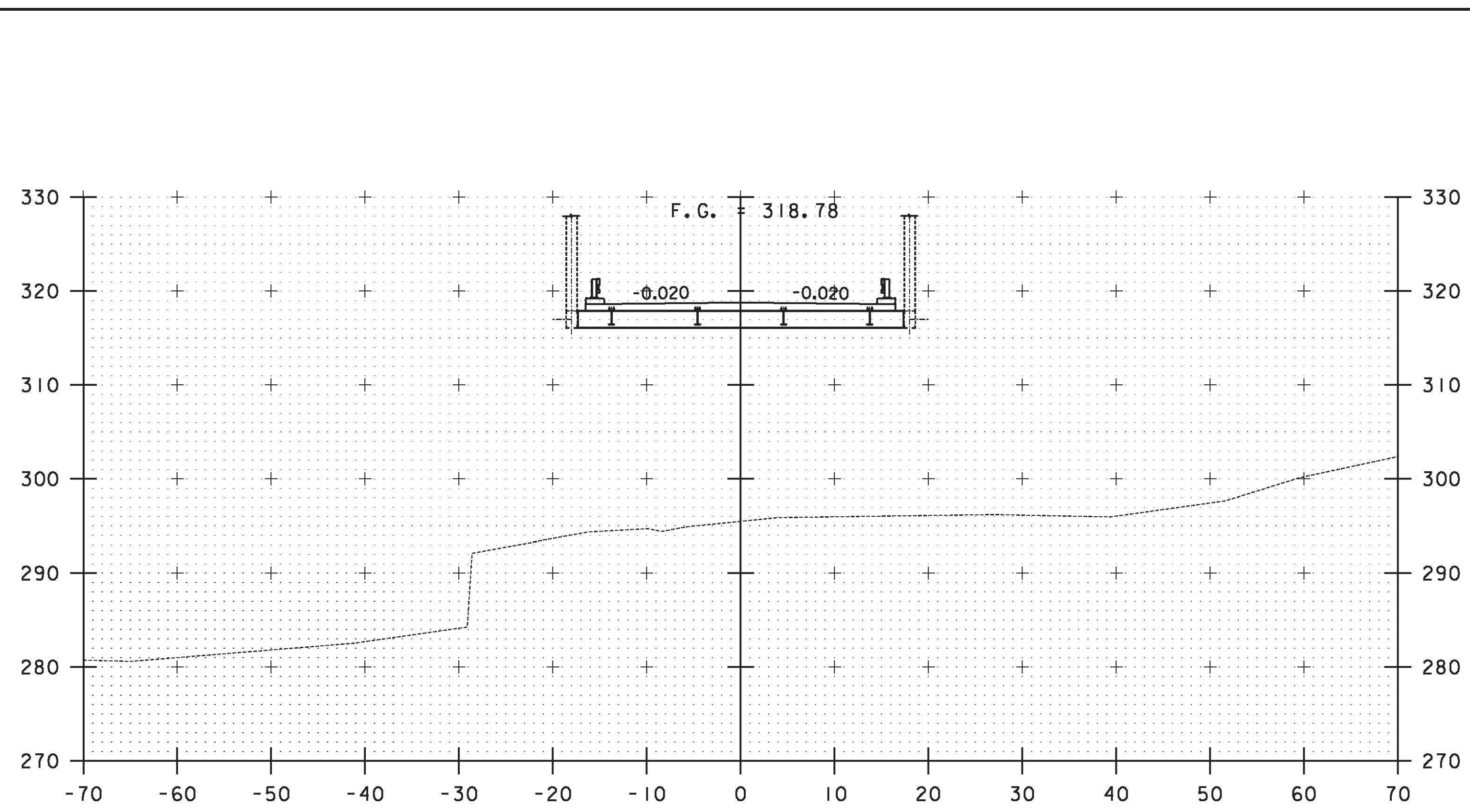
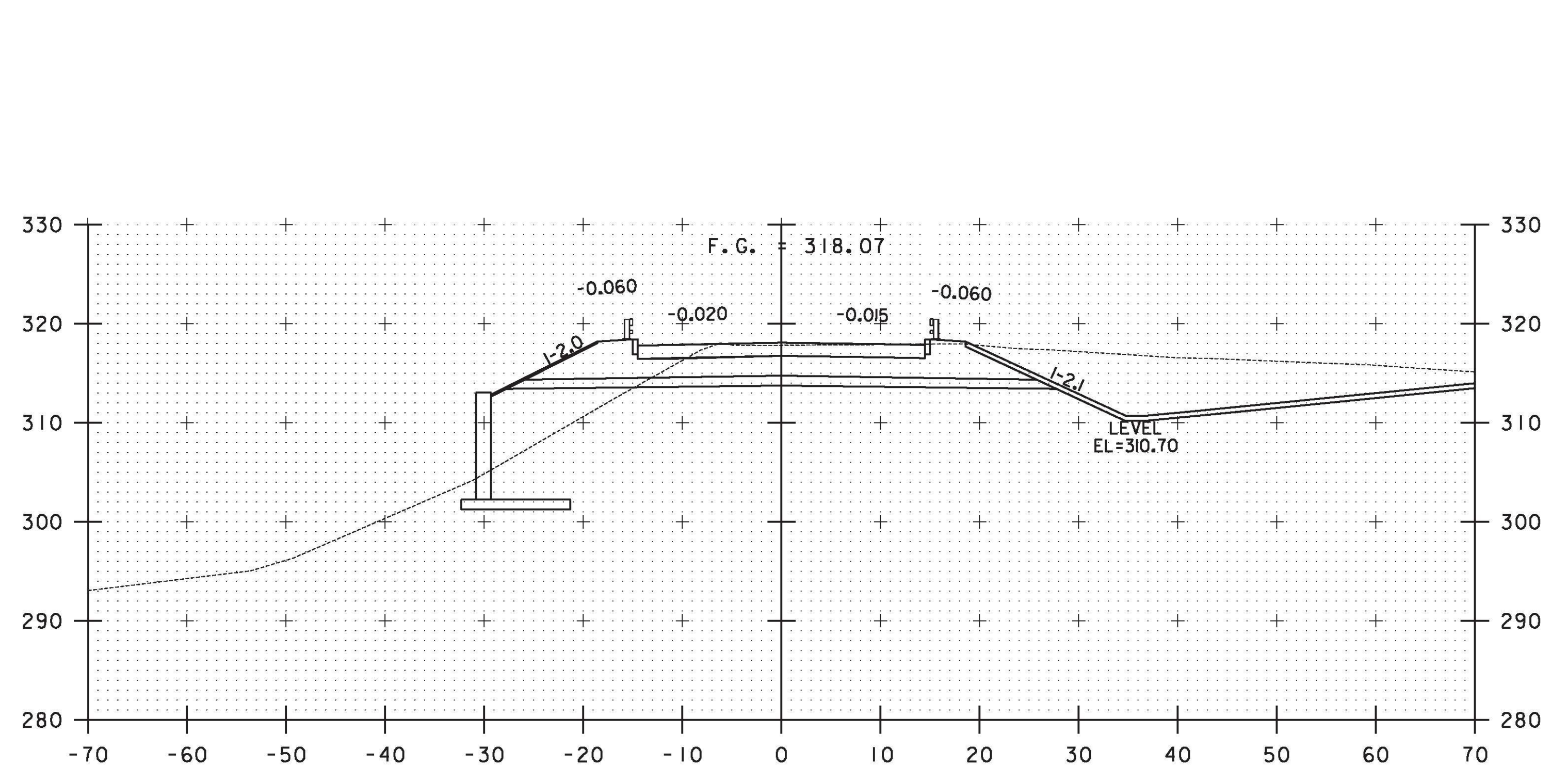


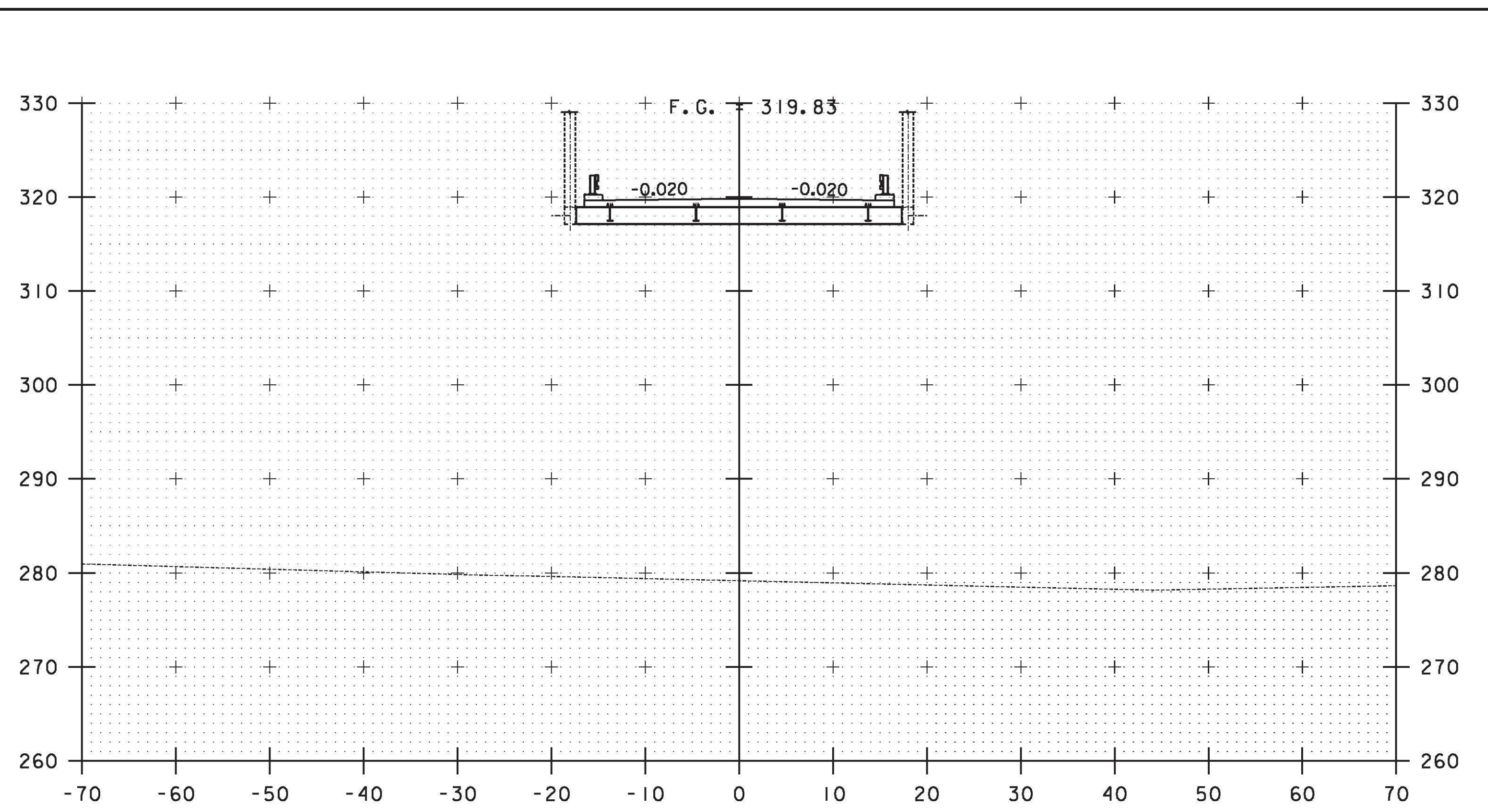
FILE NAME = V:\P\Projects\ANY\K2\22075\CADD\INST\WBS (1-14) ROADWAY DESIGN\90c092\_sections\couse2\_14.dgn  
 DATE/TIME = 8/25/2011  
 USER = 3086



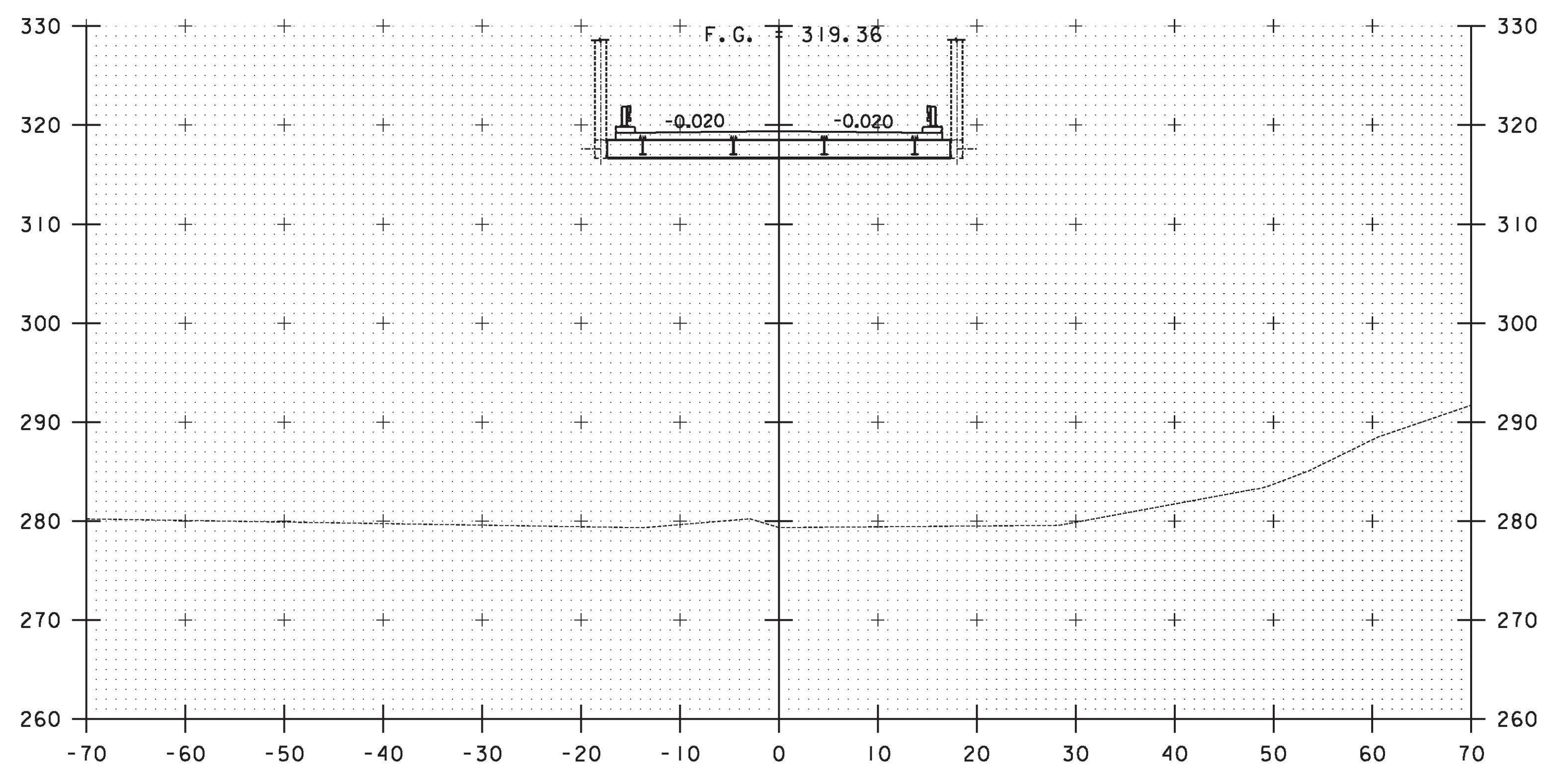
36+00



35+50



37+00

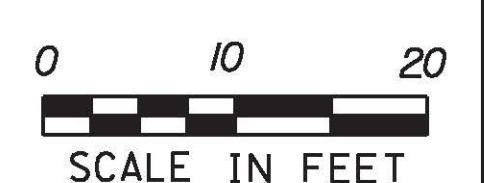


36+50

X	Reviewed	—	Furnish As Corrected
—	Rejected	—	Revise and Resubmit

This review is only for general conformance with the design concept and the information given in the Construction Documents. Corrections or omissions made on the shop drawings during the review do not relieve the Contractor from compliance with the requirements of the Plans and Specifications. Review of a specific item shall not include review of an assembly of which an item is a component. The Contractor is responsible for dimensions to be confirmed and corrected at the job site; information that pertains solely to the fabrication process or to the means, methods, techniques, sequences and procedures of construction; coordination of the Work with that of other trades and performing all Work in a safe and satisfactory manner.

Date: August 31, 2011  
 By: J. Santacruz



<b>CROSS SECTIONS SHEET #5</b>	PROJECT NAME: RICHMOND	PLOT DATE: 8/25/2011
	PROJECT NUMBER: STP-RS 0284(III)	DRAWN BY: C.A.K.
	FILE NAME: z90c092_XSL14.dgn	CHECKED BY: D.E.G.
	DESIGNED BY: B.T.H.	SHEET 27 OF 46
	DWG. NO.: XS-5	