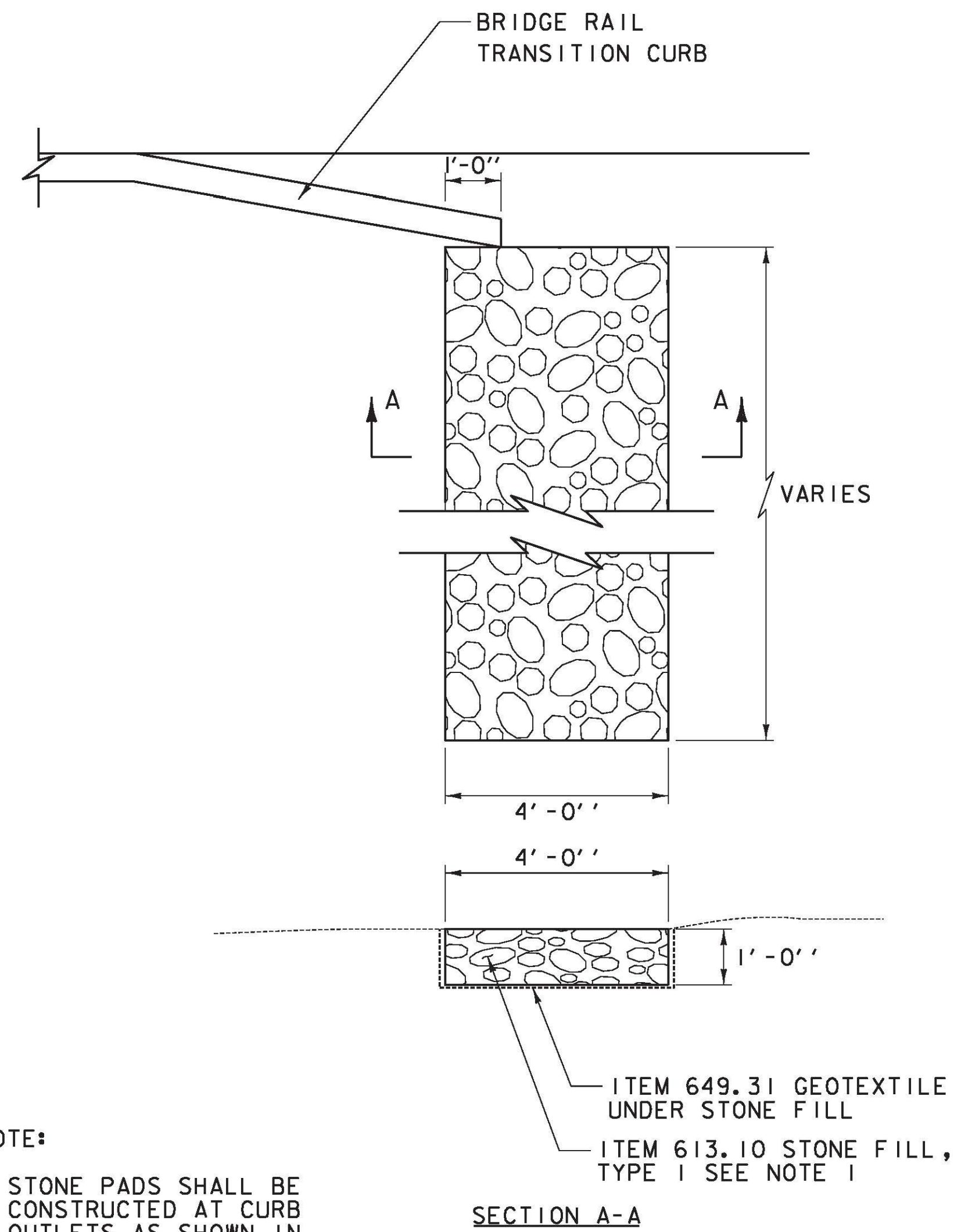


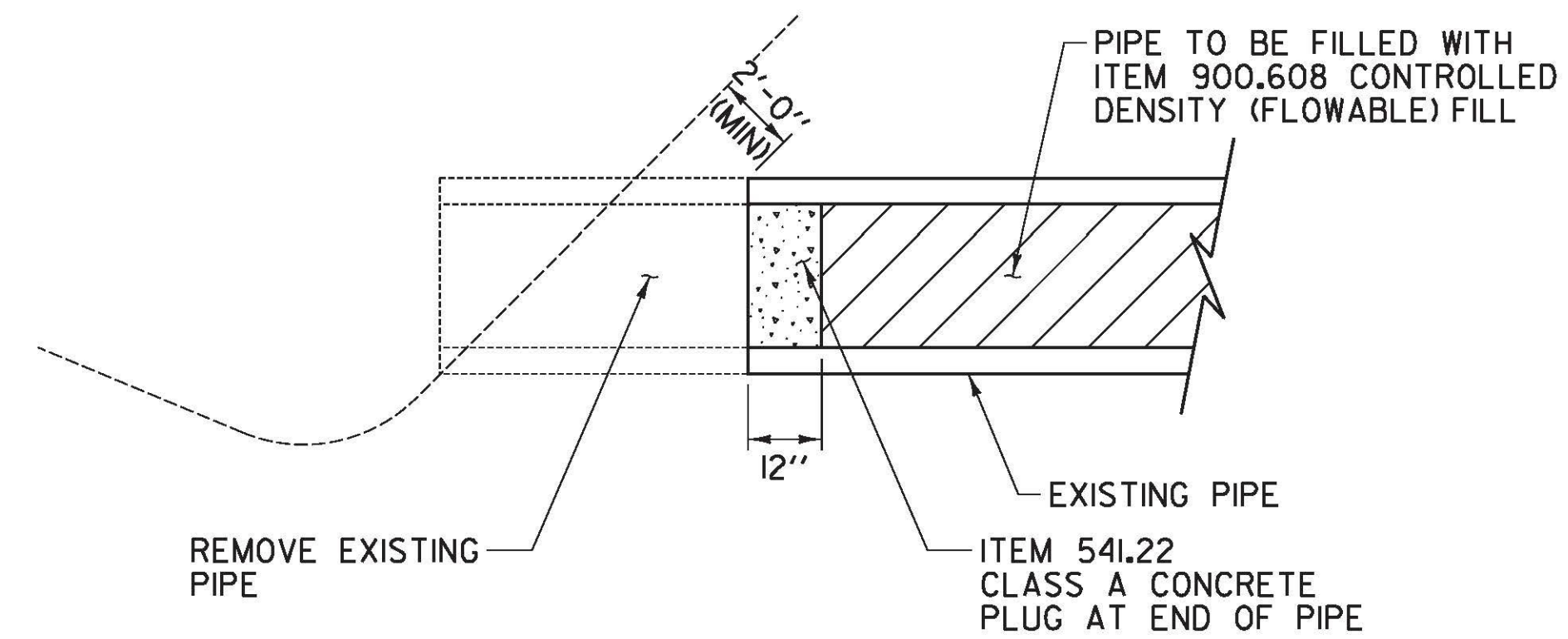
FILE NAME = v:\projects\enry\2\22076\cadd\mstr\subs (1-14)\roadway design\z90c092_dd.01.14.dgn
 DATE/TIME = 8/25/2011
 USER = 3086



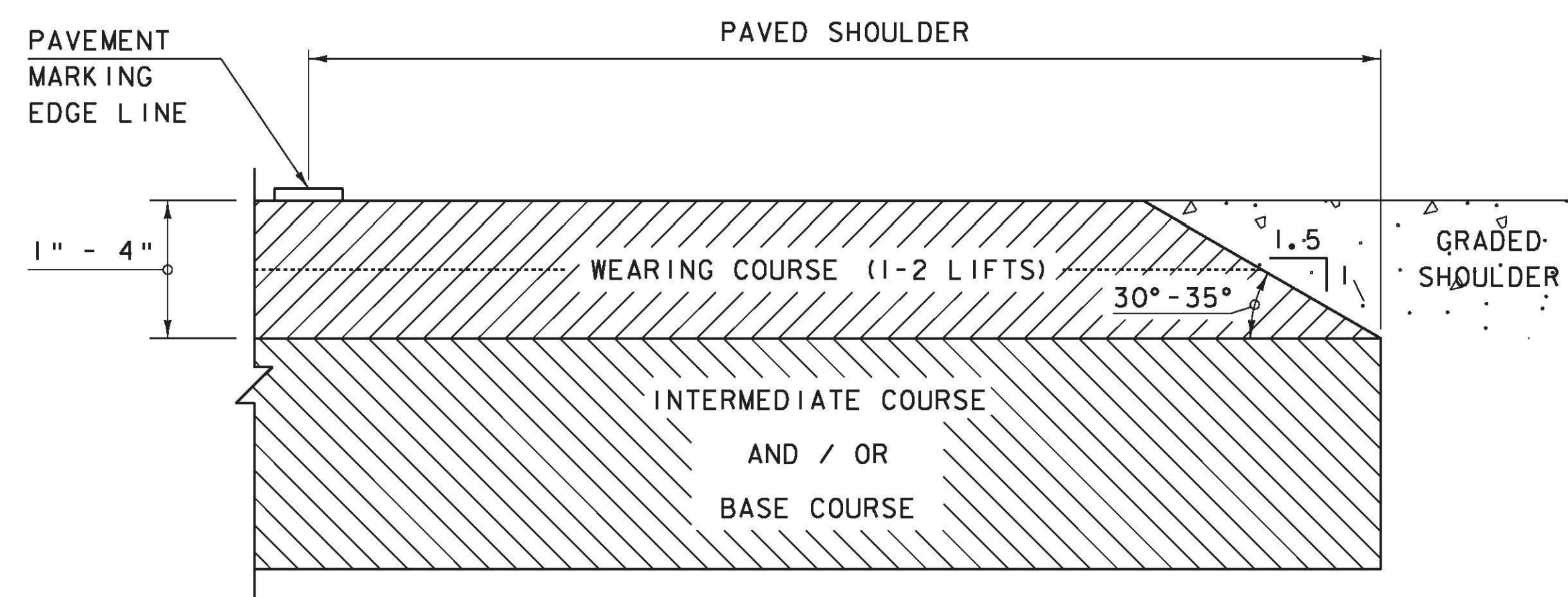
STONE PAD DETAIL

NOTE:

1. STONE PADS SHALL BE CONSTRUCTED AT CURB OUTLETS AS SHOWN IN THE PLANS OR AS DIRECTED BY THE RESIDENT ENGINEER.



ABANDONING PIPE DETAIL



SAFETY EDGE DETAIL

NTS

NOTE: LEVELING COURSE MAY INCLUDE THE "SAFETY EDGE" AT THE CONTRACTOR'S CHOICE.

X Reviewed	Furnish As Corrected
Rejected	Revise and Resubmit

This review is only for general conformance with the design concept and the information given in the Construction Documents. Corrections or comments made on the shop drawings during the review do not relieve the Contractor from compliance with the requirements of the Plans and Specifications. Review of a specific item shall not include review of an assembly of which an item is a component. The Contractor is responsible for dimensions to be confirmed and corrected at the job site, information that pertains solely to the fabrication process or to the means, methods, techniques, sequences and procedures of construction, coordination of the Work with that of other trades and performing all Work in a safe and satisfactory manner.

Date: August 31, 2011
 By: J. Santacruz

MISCELLANEOUS DETAIL SHEET #3	NOT TO SCALE		
	PROJECT NAME:	RICHMOND	
	PROJECT NUMBER:	STP-RS 0284(III)	
	FILE NAME:	z90c092_DD.01.14.dgn	
PROJECT LEADER:	D.E.G.	PLOT DATE:	8/25/2011
DESIGNED BY:	B.T.H.	DRAWN BY:	C.A.K.
DWG. NO.:	MD-3	CHECKED BY:	D.E.G.
		SHEET	22 OF 46