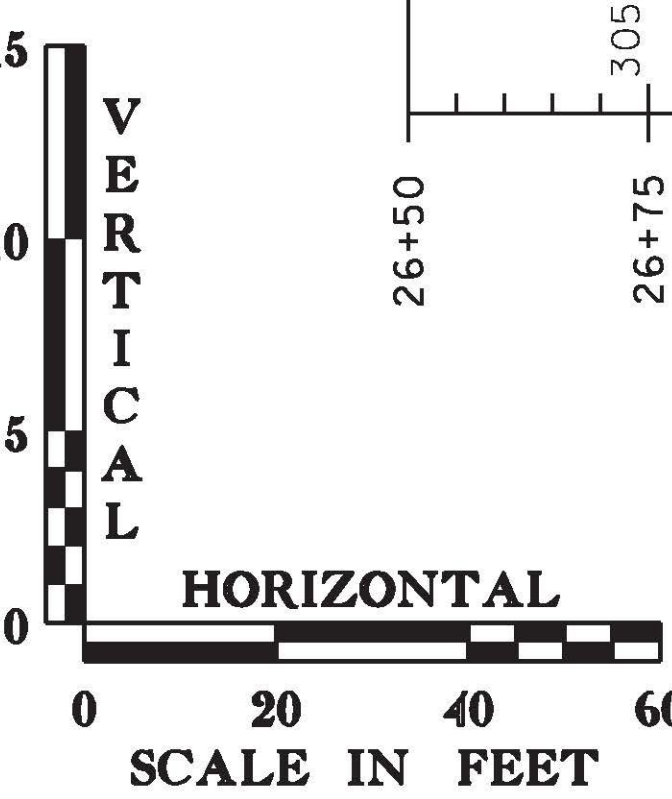
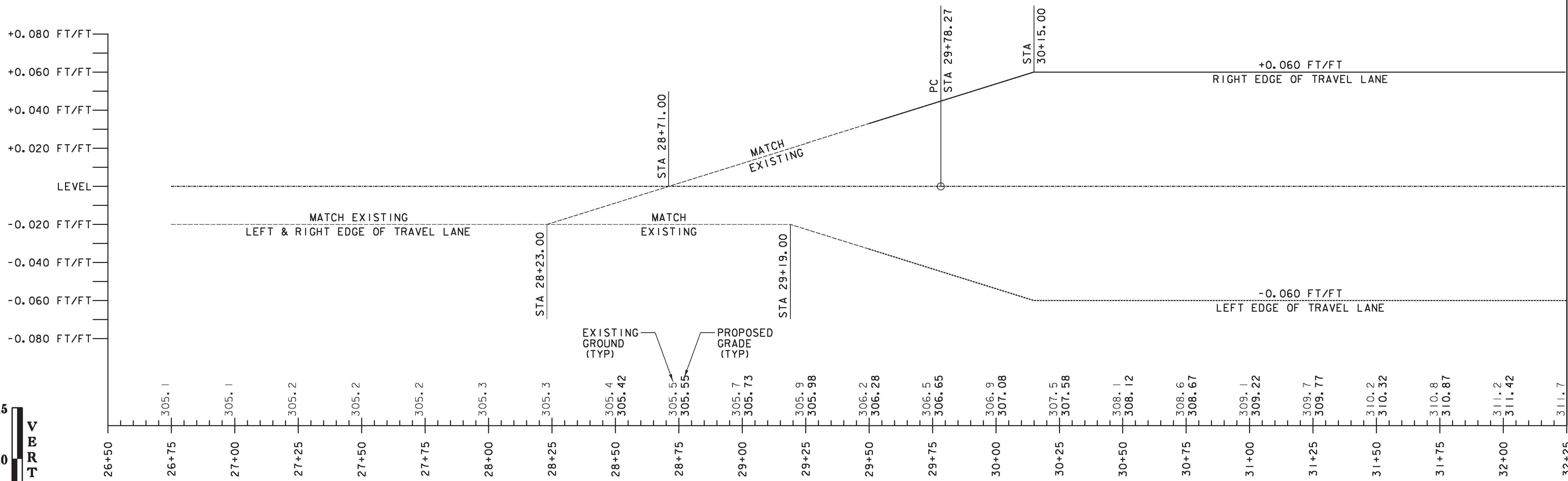
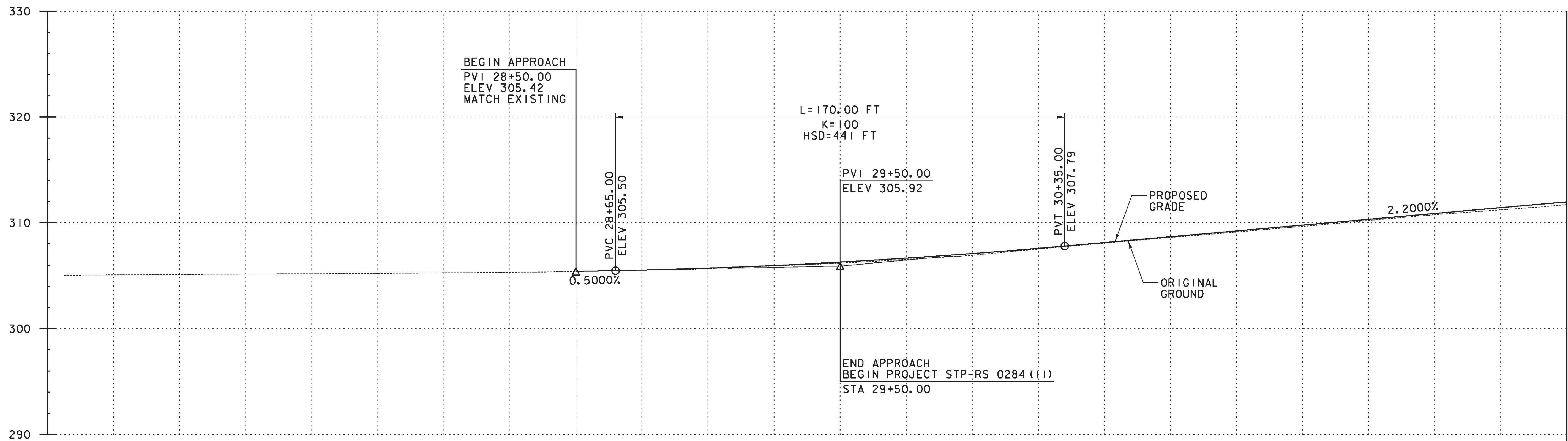


FILE NAME = v:\projects\envy\222076\cadd\mstr\subs (1-14)\roadway design\28+50.00\prc.01.14.dgn
 DATE/TIME = 8/25/2011
 USER = 3086



Reviewed
 Rejected
 Furnish As Corrected
 Revise and Rebuild
 This review is only for general conformance with the design concept and the information given in the Construction Documents. Corrections or comments made on the shop drawings during the review do not relieve the Contractor from compliance with the requirements of the Plans and Specifications. Review of a specific item shall not include review of an assembly of which it is a component. The Contractor is responsible for dimensions to be confirmed and corrected at the job site; information that pertains solely to the fabrication process or to the means, methods, techniques, sequences and procedures of construction, coordination of the Work with that of other trades and performing all Work in a safe and satisfactory manner.
 Date: August 31, 2011
 By: J. Santanice



U.S. ROUTE 2

U.S. ROUTE 2 PROFILE

PROJECT NAME: RICHMOND	PLOT DATE: 8/25/2011
PROJECT NUMBER: STP-RS 0284(III)	DRAWN BY: C.A.K.
FILE NAME:	CHECKED BY: D.E.G.
PROJECT LEADER: D.E.G.	SHEET 12 OF 46
DESIGNED BY: B.T.H.	
DWG. NO.: PR-1	

MATCH LINE STA 32+25, SEE DWG PR-2