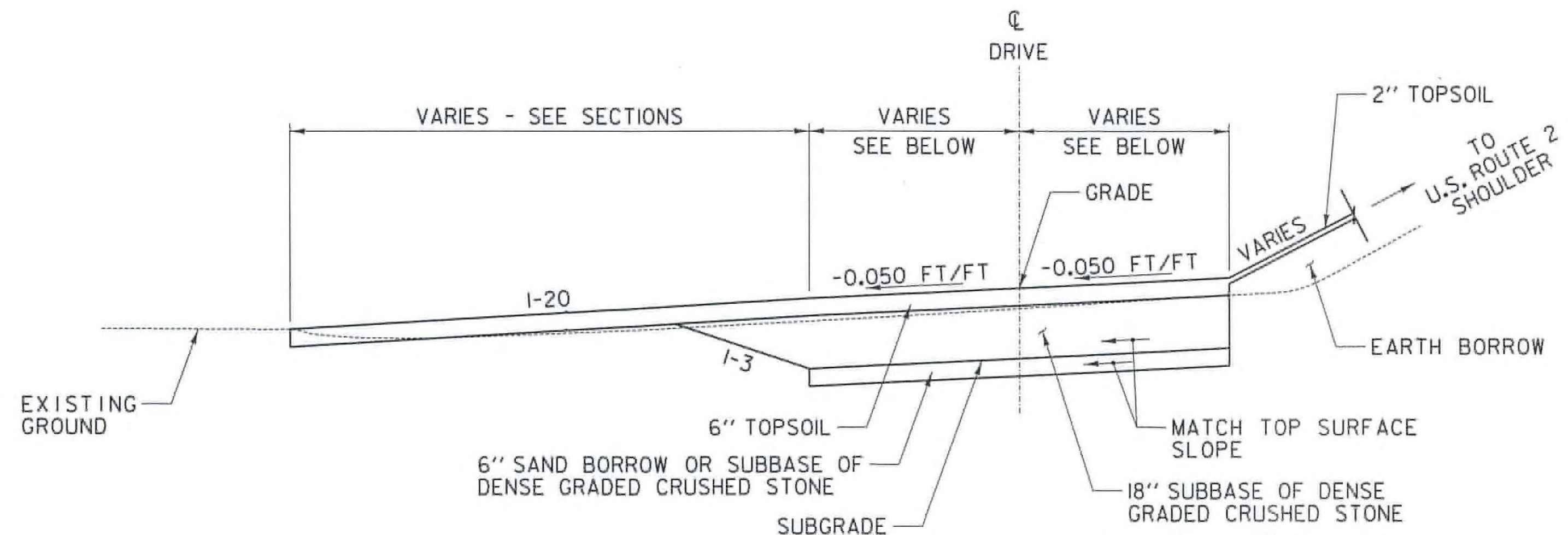


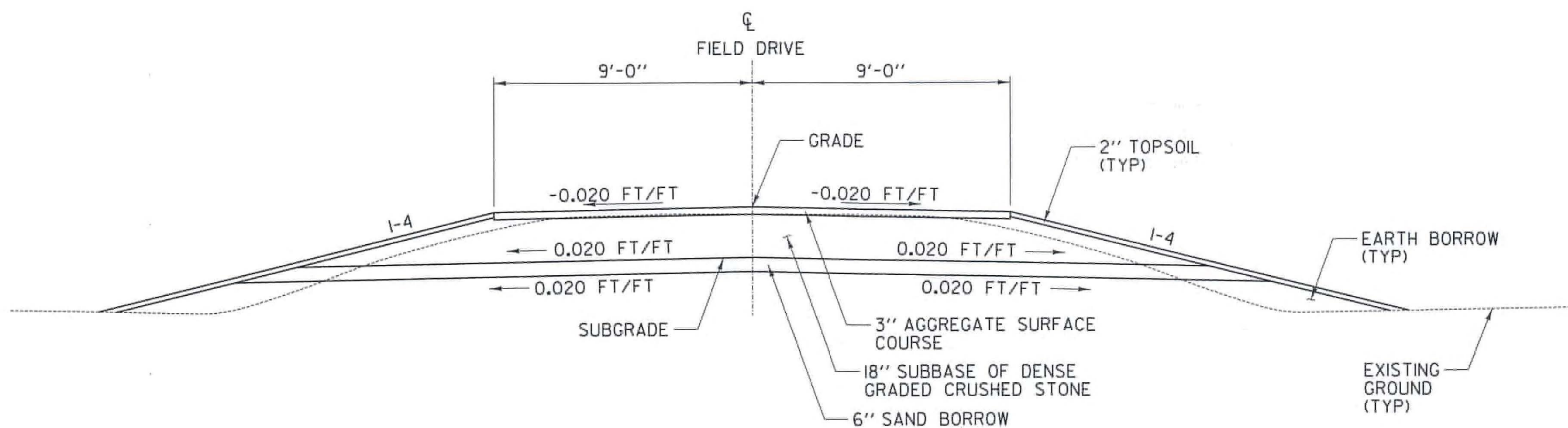
DRIVE NO 1, NO 2 & NO 4 TYPICAL

STA D 80+09.00 TO STA D 80+30.74
 STA D 60+09.00 TO STA D 61+12.00
 STA D 5+10.00 TO STA D 6+25.00



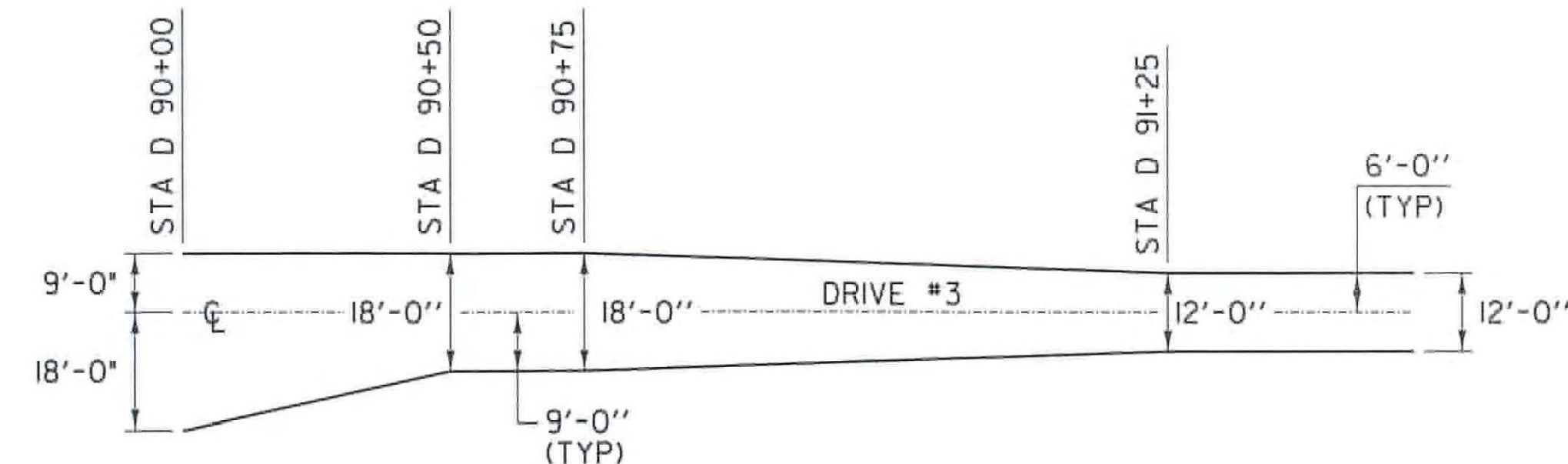
DRIVE NO 3 TYPICAL SECTION

STA D 90+09.00 TO STA D 94+72.08

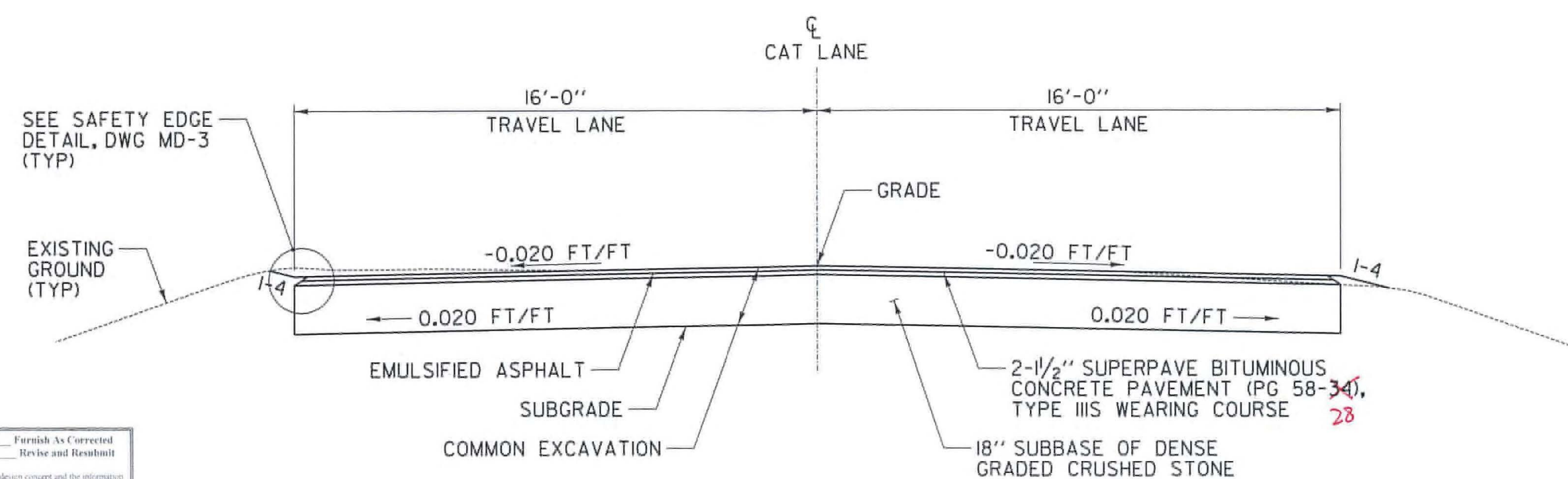


FIELD DRIVE

STA F 70+20.00 TO STA F 70+65.80

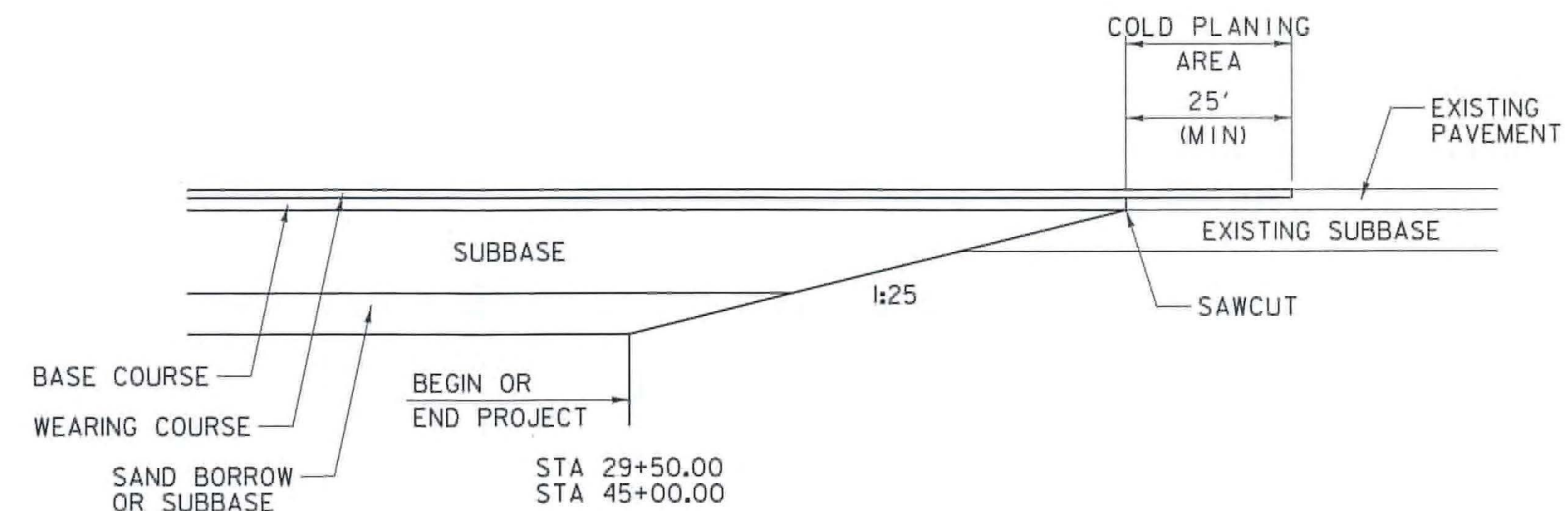


DRIVE NO 3 WIDTH TRANSITION



CAT LANE TYPICAL

STA C 7+15.00 TO STA C 8+40.00



TRANSITION AT PROJECT TERMINI

NOT TO SCALE

TYPICAL SECTION SHEET #4

PROJECT NAME: RICHMOND	PLOT DATE: 8/25/2011
PROJECT NUMBER: STP-RS 0284(III)	DRAWN BY: C.A.K.
FILE NAME: z90c092_TYP_I4.dgn	CHECKED BY: D.E.G.
PROJECT LEADER: D.E.G.	SHEET 5 OF 46
DESIGNED BY: B.T.H.	
DWG. NO.: TS-4	

X Reviewed	Furnish As Corrected
Rejected	Revise and Resubmit

This review is only for general conformance with the design concept and the information given in the Construction Documents. Corrections or comments made on the site drawings during the review do not relieve the Contractor from compliance with the requirements of the Plans and Specifications. Review of a specific item shall not include review of its assembly or other items as components. The Contractor is responsible for dimensions to be confirmed and corrected at the job site, information that pertains solely to the fabrication process or to the means, methods, techniques, sequences and procedures of construction, coordination of the Work with that of other trades and performing all Work in a safe and satisfactory manner.

Drawn: August 31, 2011
 J. Santacruz

McFarland Johnson

FILE NAME: z90c092_TYP_I4.dgn
 DATE: 8/25/2011
 USER: J. Santacruz