

**CONSPAN**  
 BRIDGE SYSTEMS  
 3100 Research Blvd.  
 P.O. Box 20266  
 Dayton, Ohio 45420-0266  
 (800) 826-3939

**Offices**  
 Dayton, OH (537) 254-2233  
 fax (537) 254-8385  
 Charlotte NC (704) 548-8420  
 Sacramento, CA (916) 787-8701  
 Albany, NY (518) 371-2871

CON/SPAN® is a patented system and the furnishing of this drawing does not constitute an express or implied license.

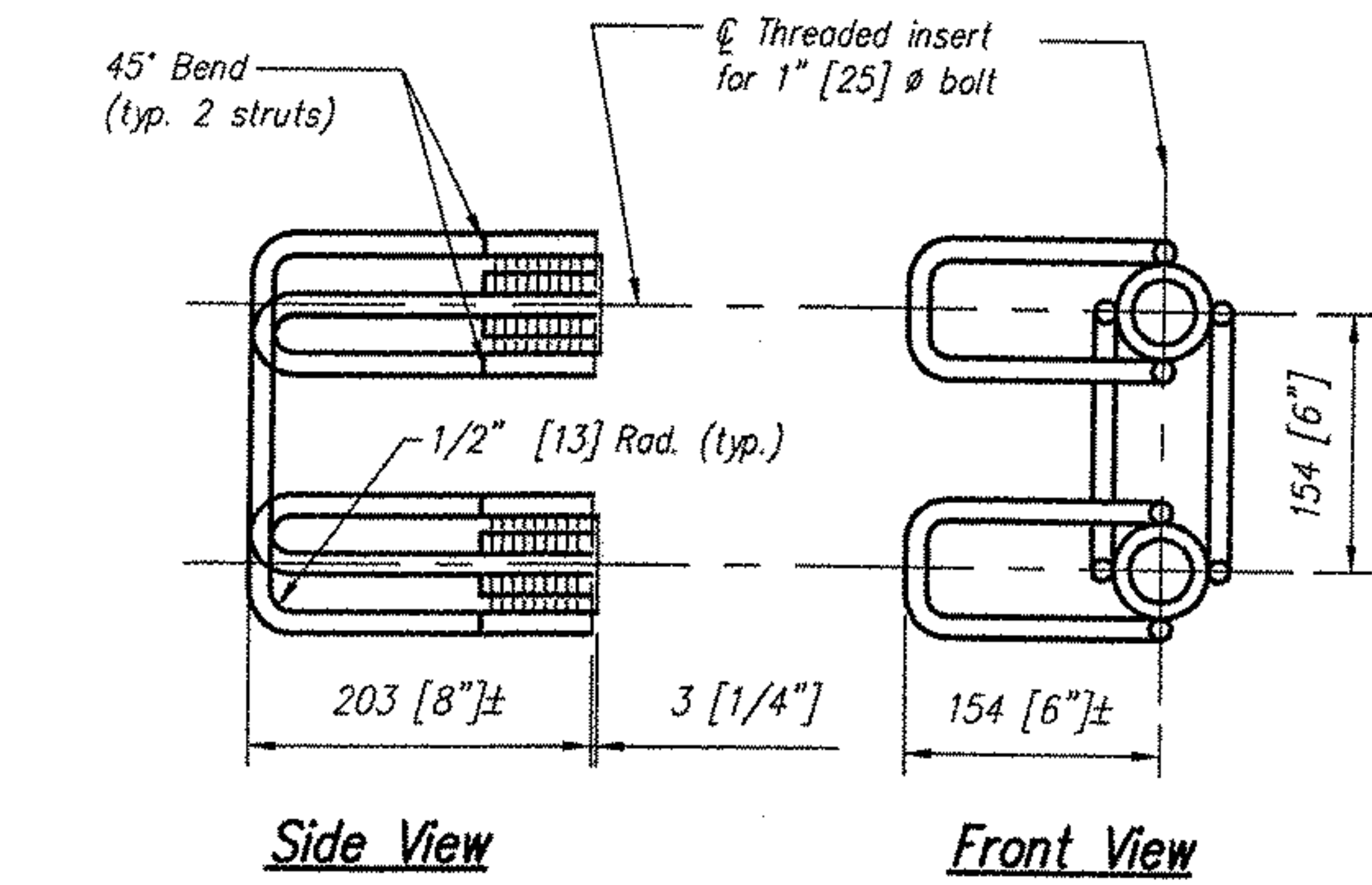
Revisions:	
No.	Date
1	
2	
3	
4	

Sheet Title:  
 WINGWALL CONNECTION PLATE SHOP DRAWING

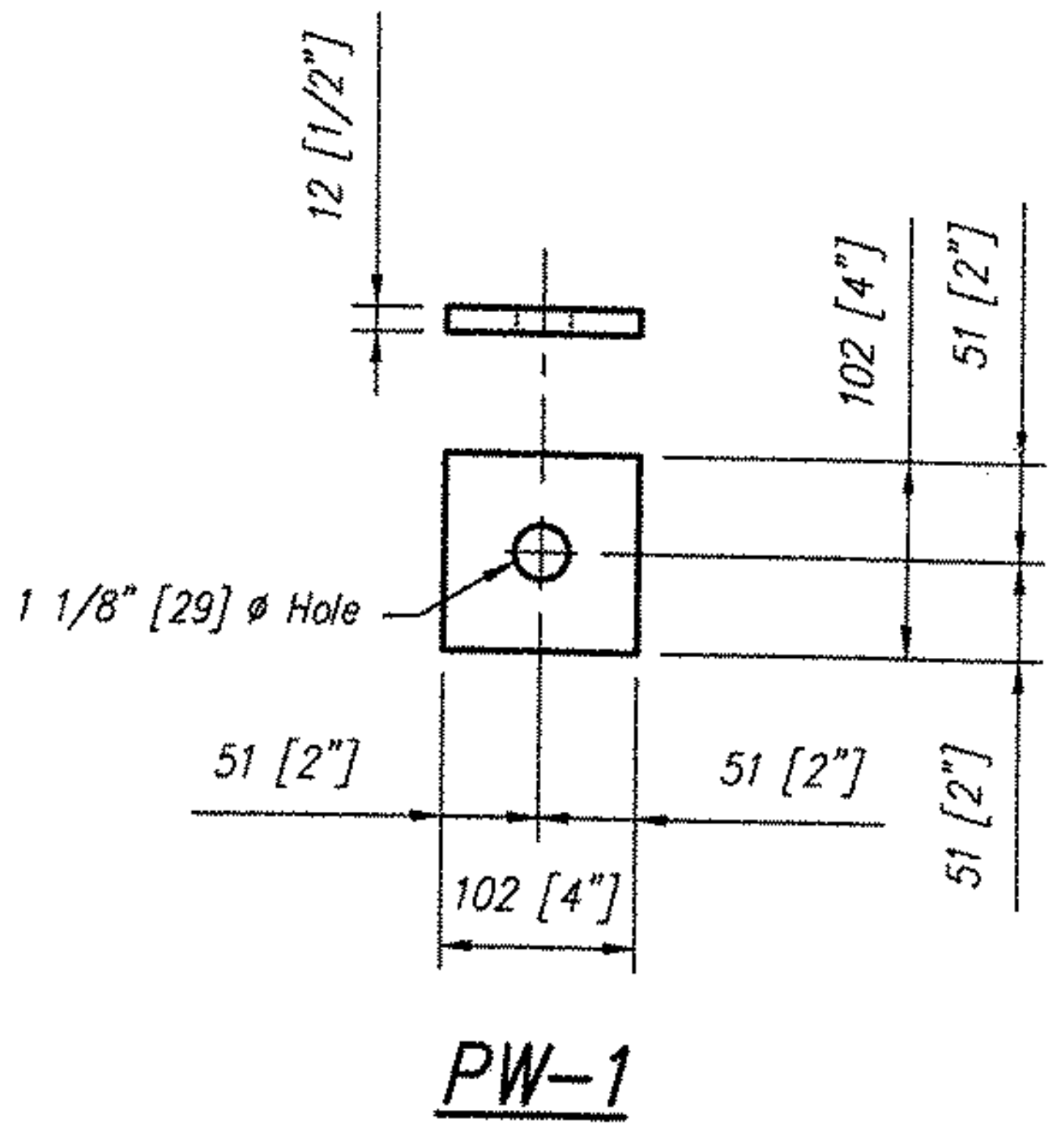
Producer:  
 CONCRETE SYSTEMS, INC.  
 NEW ENGLAND  
 800-342-3374

VERMONT  
 ROCKINGHAM  
 VT. RTE. 121  
 BRIDGE NO: 7

Des. By: KJG Job No. 11415  
 Drawn By: JLL Sheet No.  
 Chk'd By: JVP  
 Date: 6/22/04



**Dayton/Richmond Two Bolt Preset Anchor**



(R washer, 1/2" [13] x 4" [102] x 4" [102])  
 (Galvanized as per ASTM A153)

**PLATE P-4**  
 Total Required = 4  
 (4) PW-1 Req'd. per Plate

**S31**  
 087