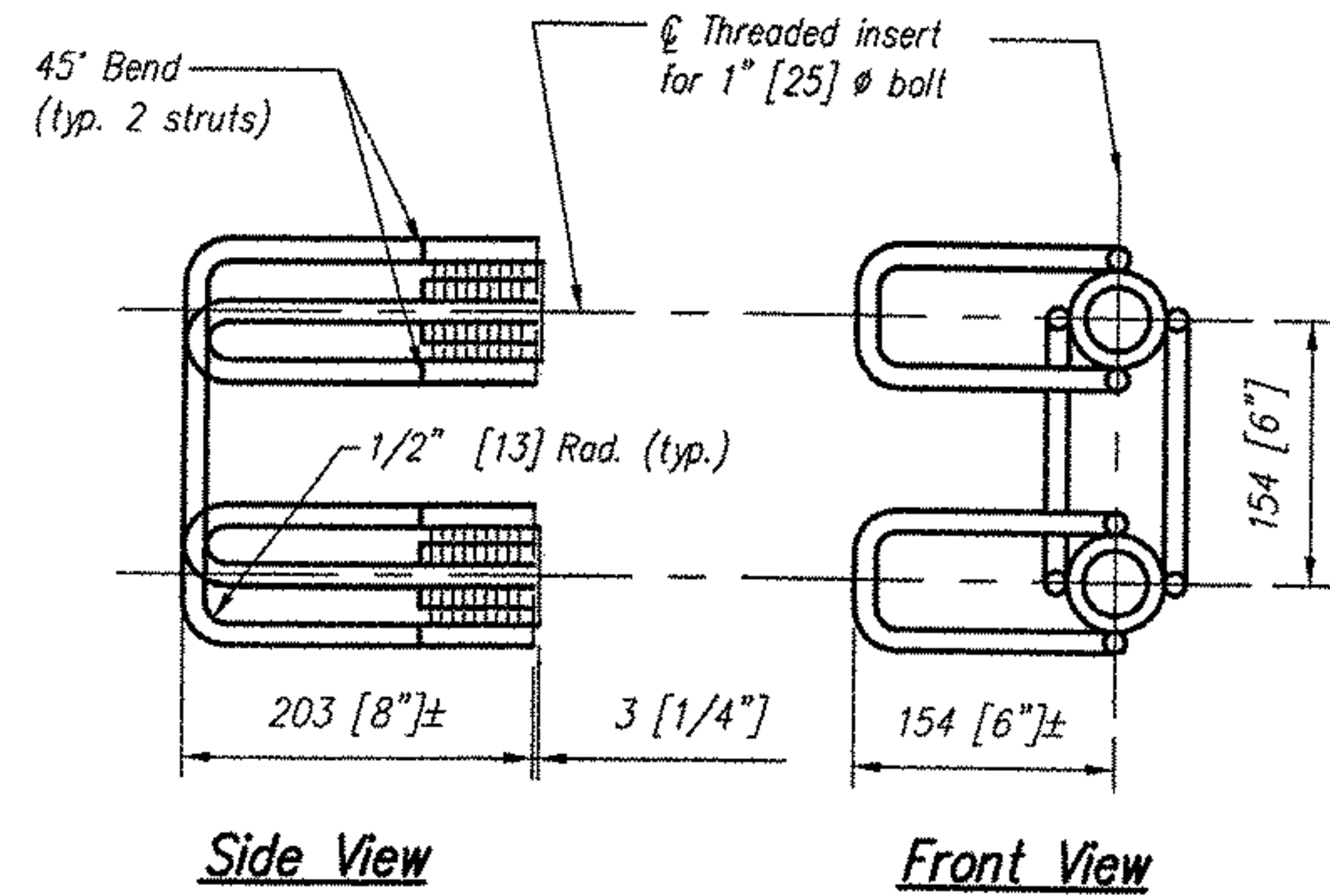
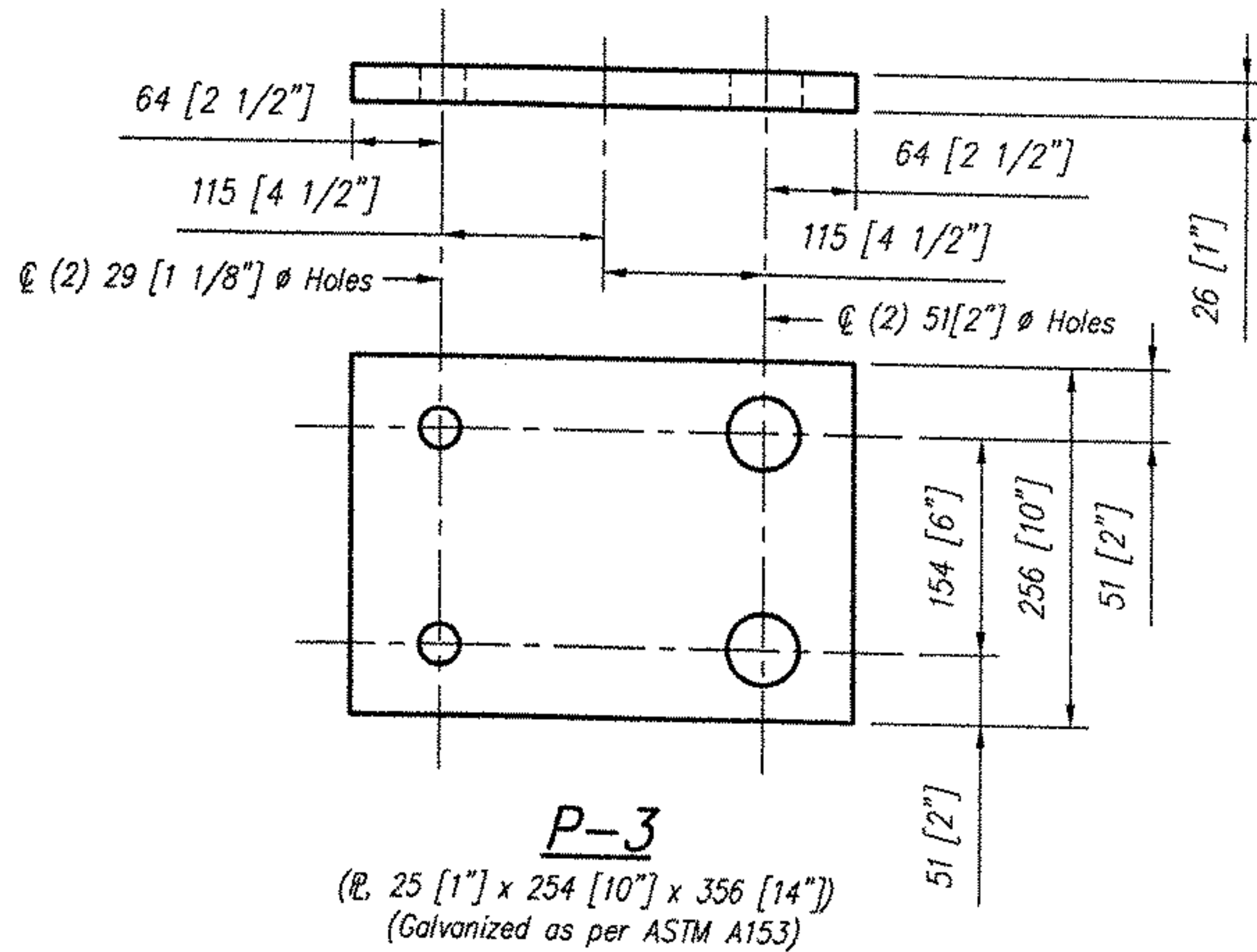
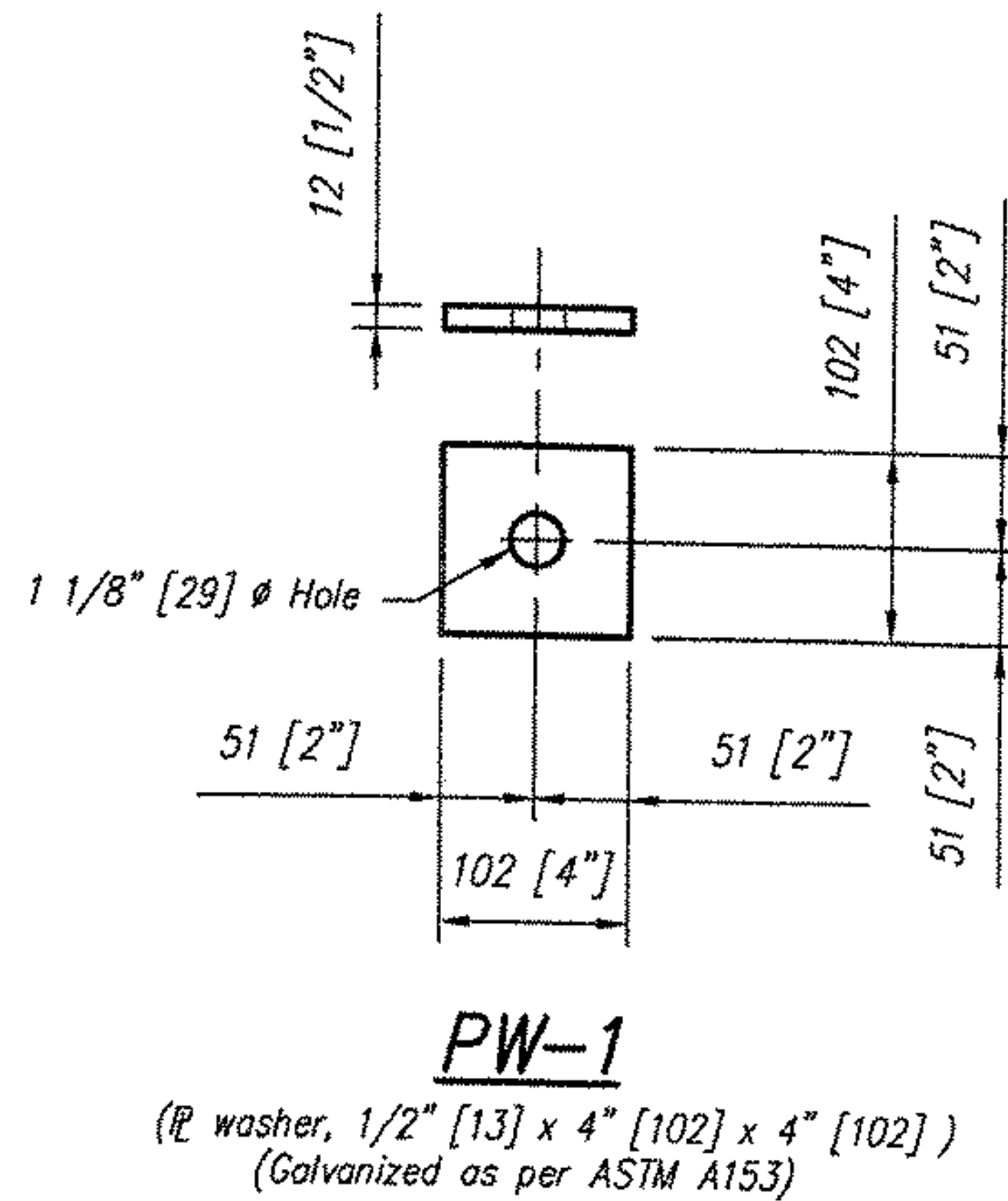


Plan View
Typical Connection Detail



Dayton/Richmond Two Bolt Preset Anchor



CONSPAN
BRIDGE SYSTEMS
3100 Research Blvd. P.O. Box 20266
Dayton, Ohio 45420-0266
(601) 526-3989

Offices
Dayton, OH (937) 254-2233
fax (937) 254-8365
Charlotte NC (704) 549-8420
Sacramento, CA (916) 787-8701
Albany, NY (518) 371-2871

CONSPAN® is a patented system and the furnishing of this drawing does not constitute an express or implied license.

Revisions:	
No.	Date
1	
2	
3	
4	

Sheet Title:
WINGWALL CONNECTION PLATE
SHOP DRAWING

Producer:
CONCRETE SYSTEMS, INC.
NEW ENGLAND
800-342-3374

VERMONT
ROCKINGHAM
VT. RTE. 121
BRIDGE NO: 7

Des. By: KJG	Job No. 11415
Drawn By: JLL	Sheet No.
Chk'd By: JVP	S30
Date: 6/22/04	086

PLATE P-3
Total Required = 6
(4) PW-1 Req'd. per Plate