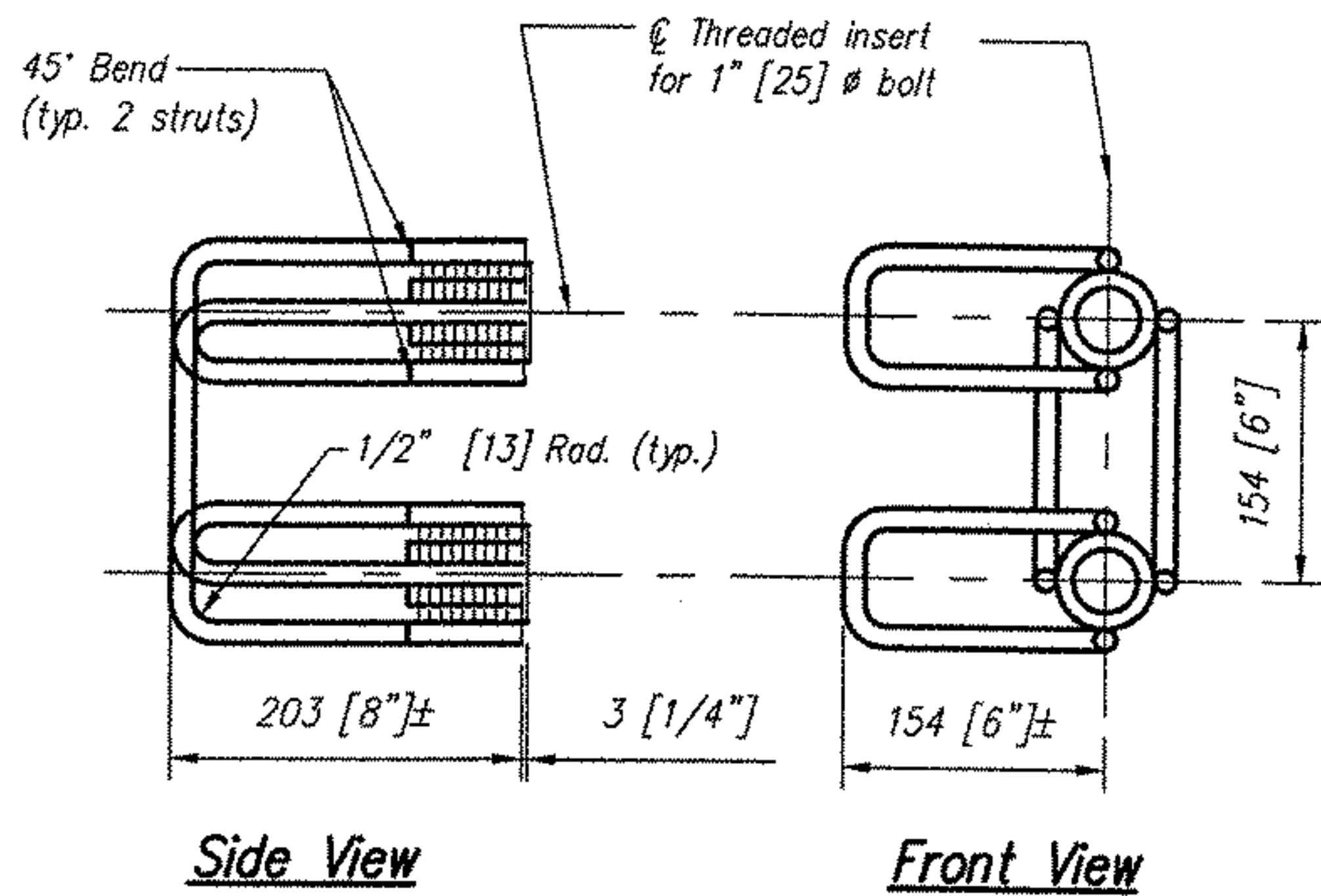
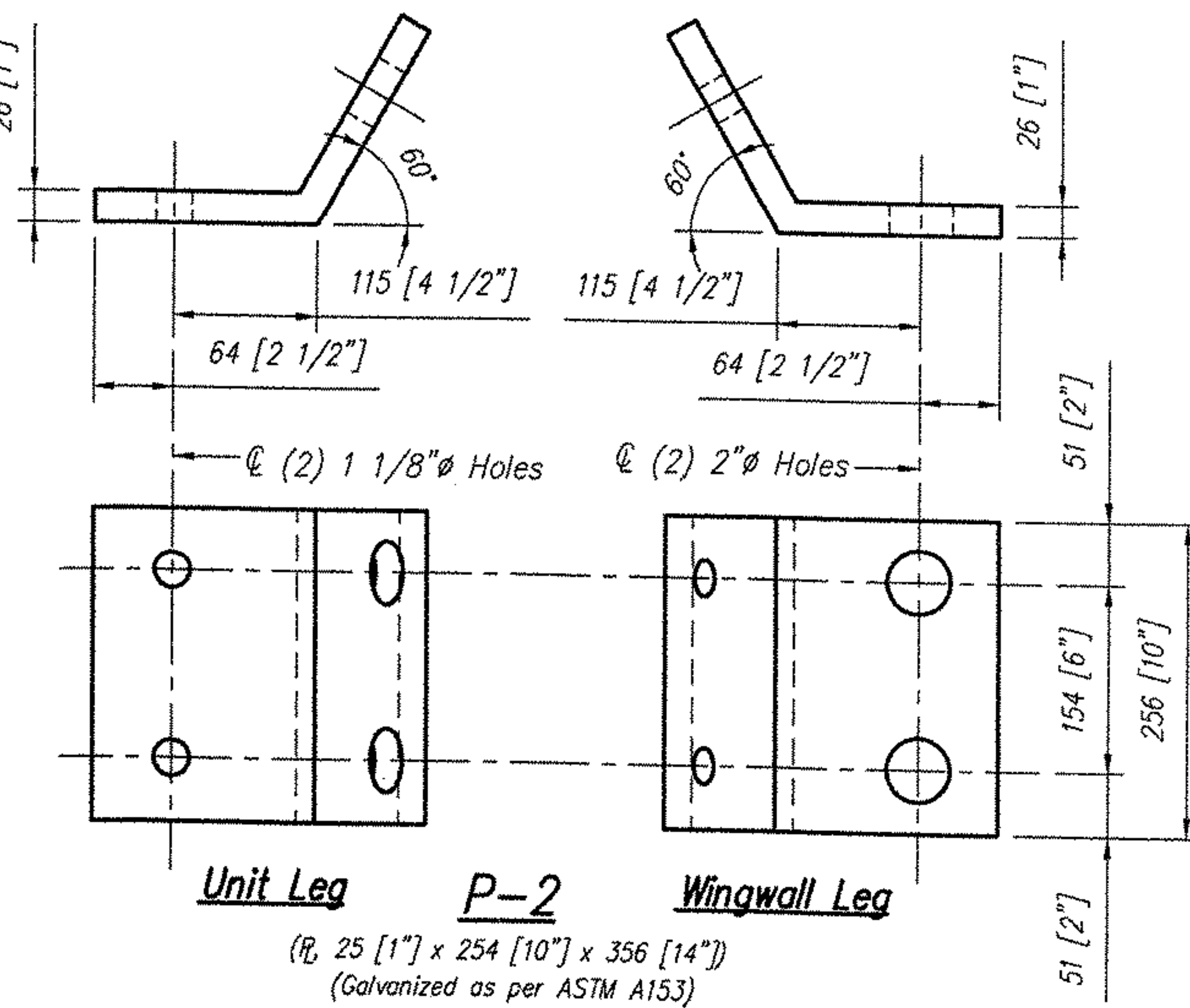
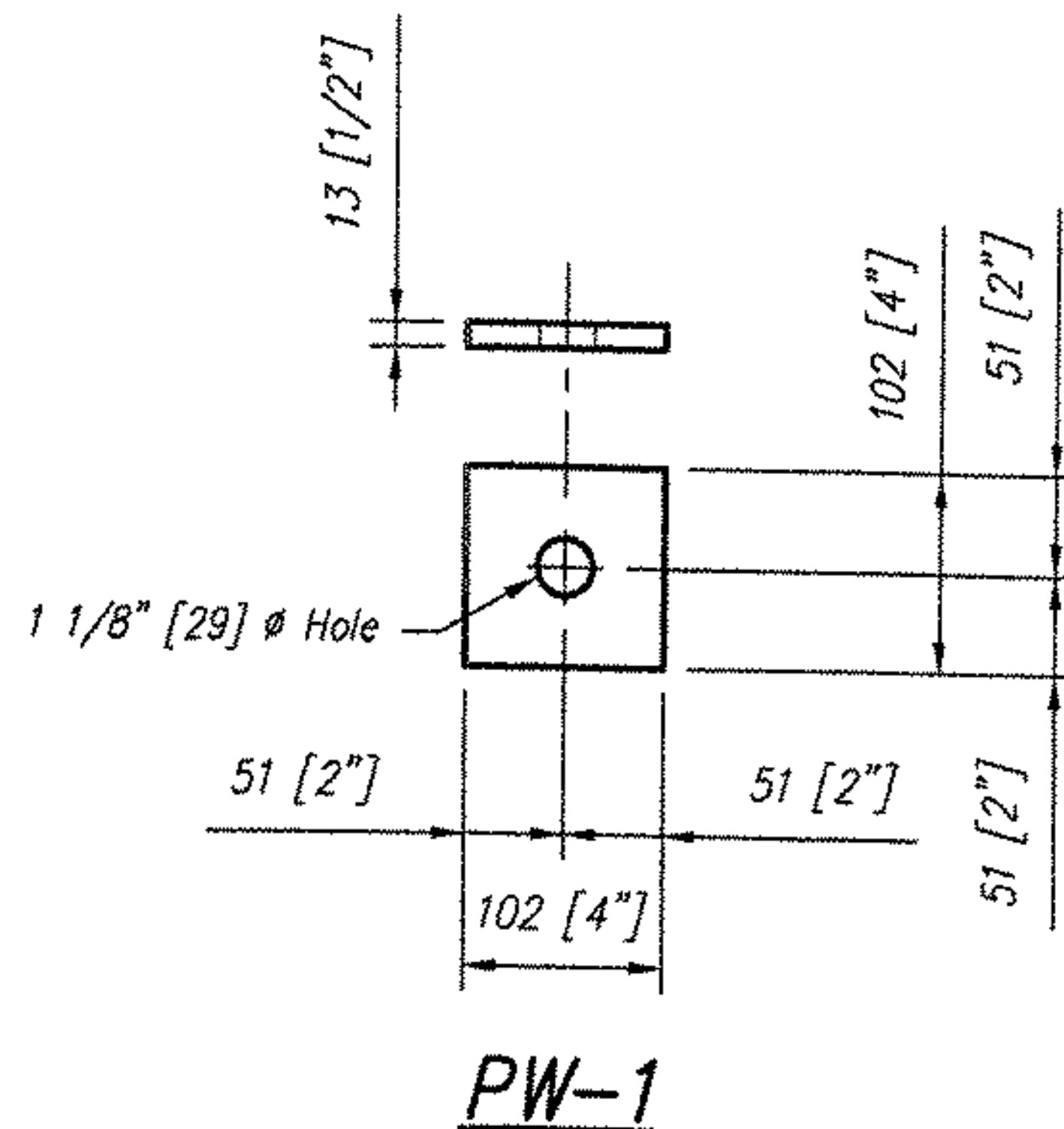


Plan View
Typical Connection Detail



Dayton/Richmond Two Bolt Preset Anchor



(Ø washer, 1/2" [13] x 4" [102] x 4" [102])
(Galvanized as per ASTM A153)

PLATE P-2
Total Required = 2
(4) PW-1 Req'd. per Plate

CONSPAN
BRIDGE SYSTEMS
3100 Research Blvd.
P.O. Box 26288
Dayton, Ohio 45420-0288
(601) 526-5989

© 1991

Offices
Dayton, OH (937) 264-2233
fax (937) 254-8365
Charlotte, NC (704) 548-8420
Sacramento, CA (916) 787-8701
Albany, NY (518) 371-2871

CONSPAN® is a patented system and the furnishing of this drawing does not constitute an express or implied license.

Revisions:	
No.	Date
1	
2	
3	
4	

Sheet Title:
**WINGWALL CONNECTION PLATE
SHOP DRAWING**

Producer:
**CONCRETE SYSTEMS, INC.
NEW ENGLAND
800-342-3374**

VERMONT
**VT. RTE. 121
BRIDGE NO: 7**

ROCKINGHAM

Des. By: KJG	Job No. 11415
Drawn By: JLL	Sheet No.
Chk'd By: JVP	S29
Date: 6/22/04	085