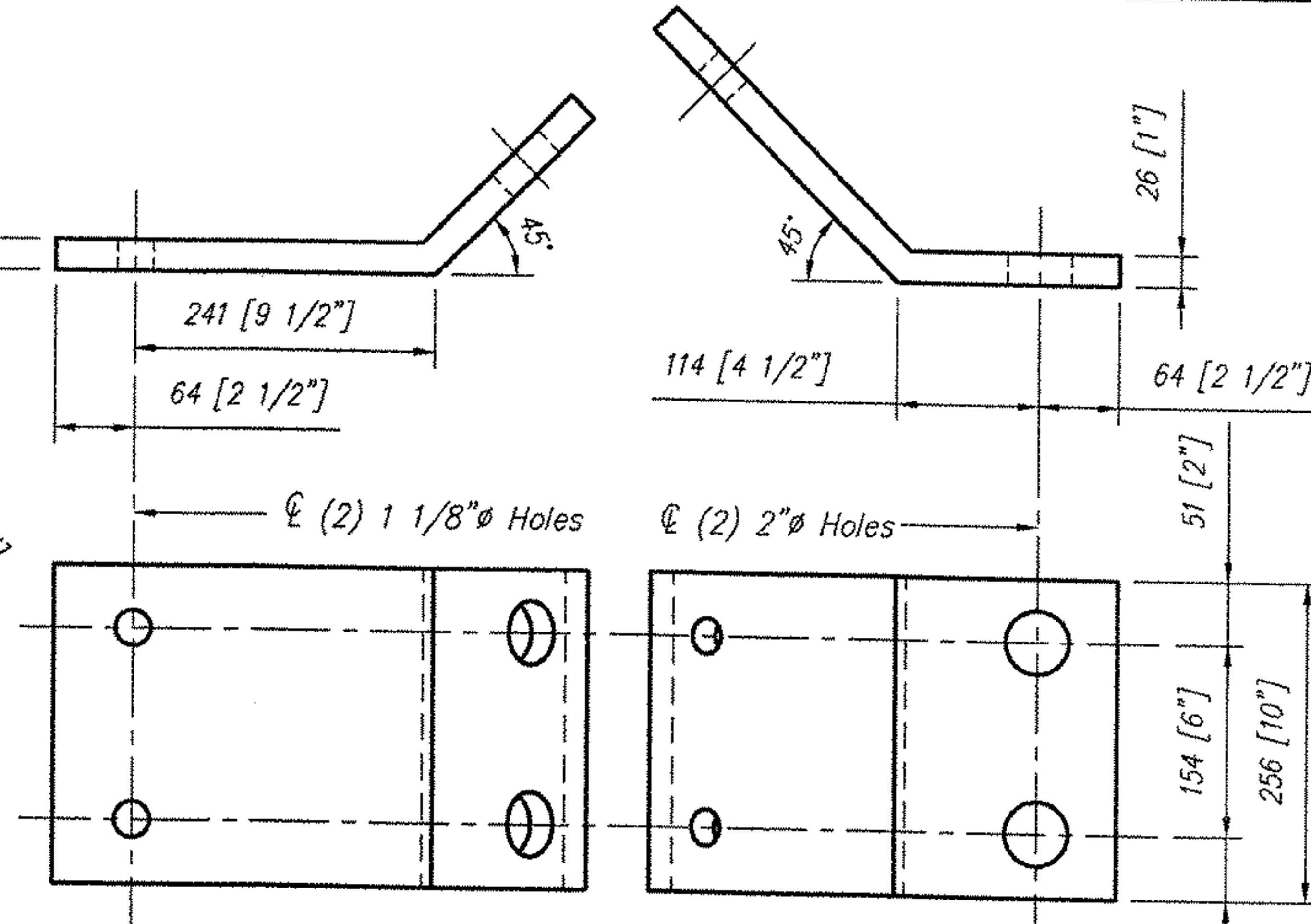


Plan View

Typical Connection Detail

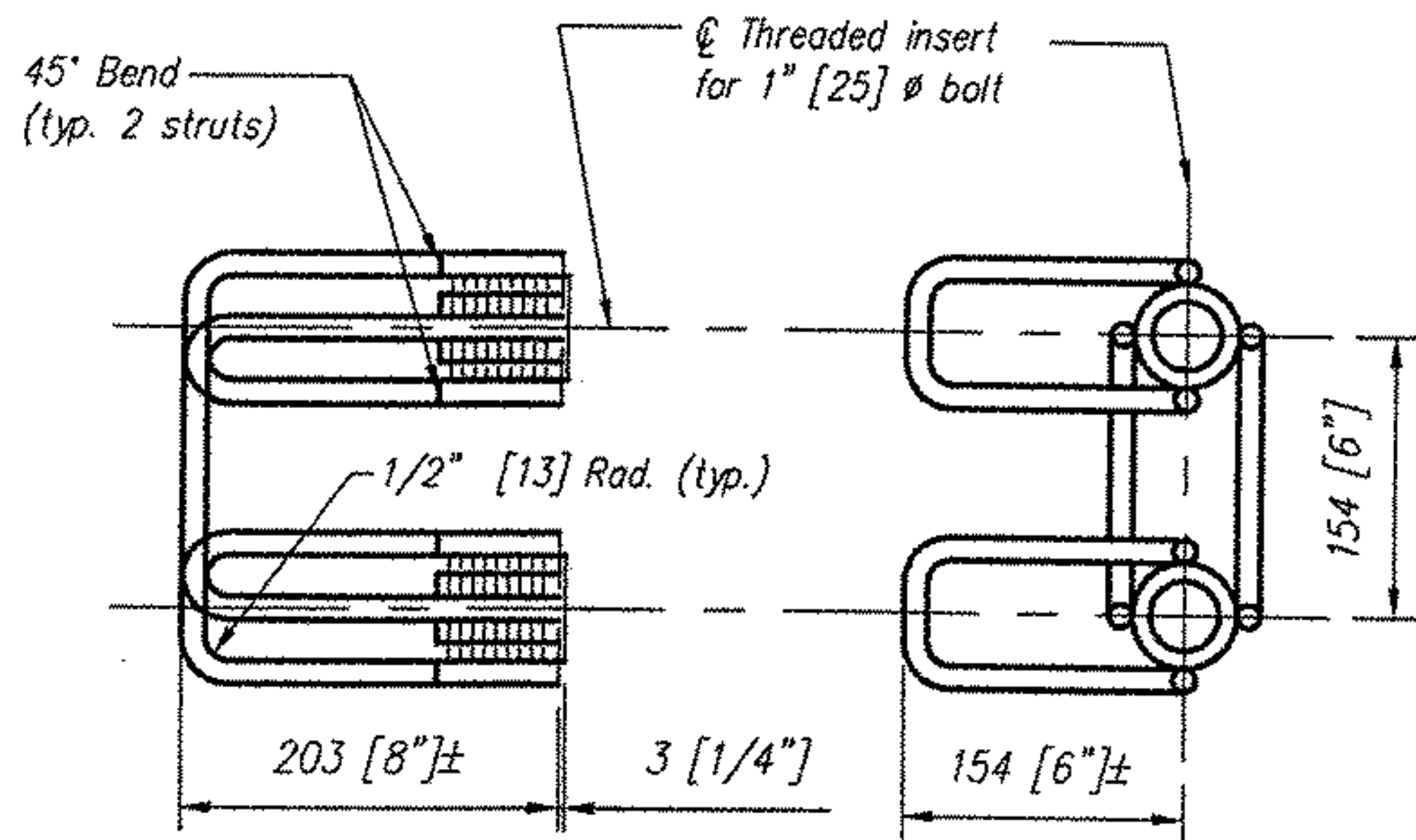


Unit Leg

P-1

Wingwall Leg

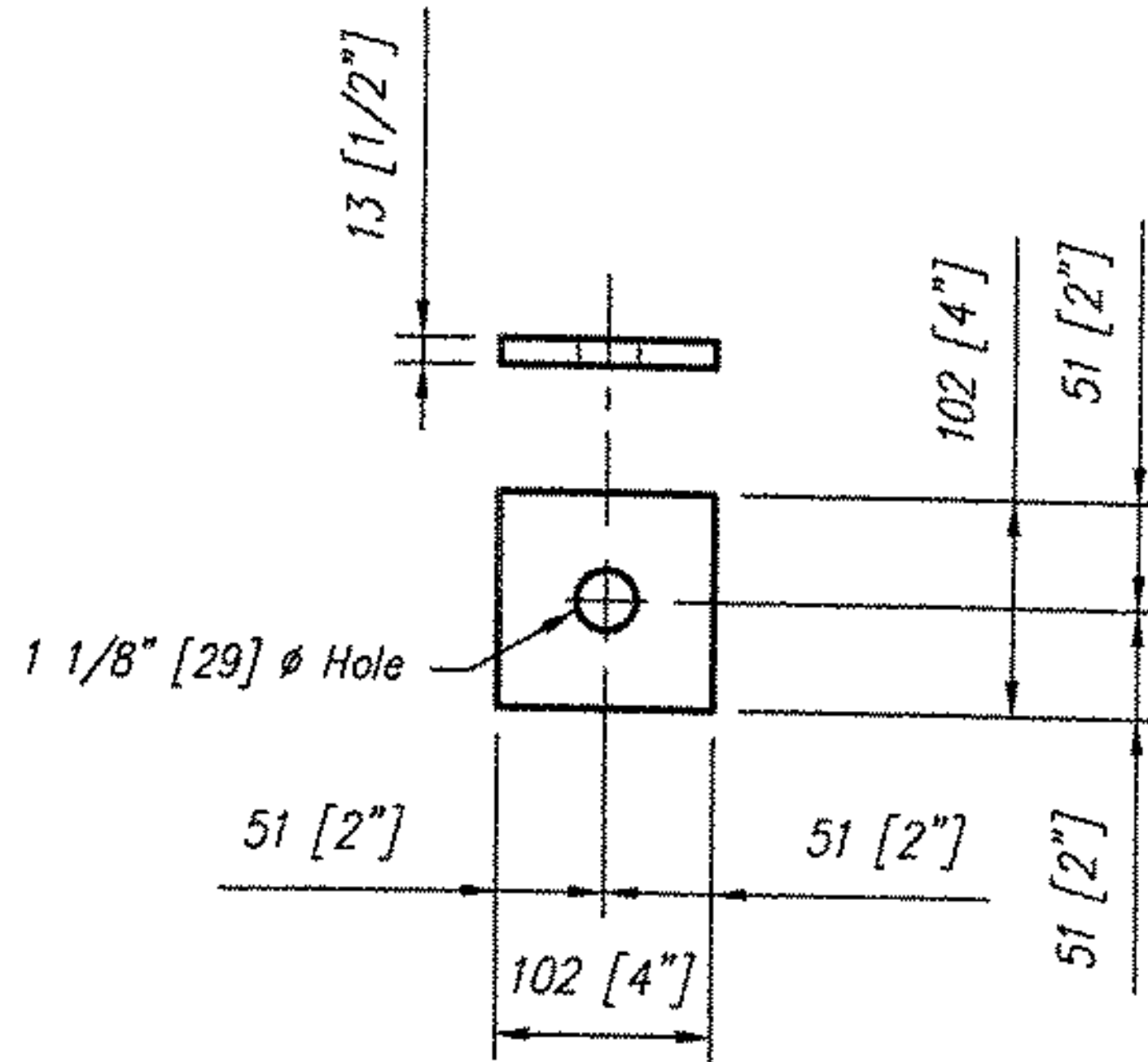
(⌀ 25 [1"] x 254 [10"] x 483 [19"])  
(Galvanized as per ASTM A153)



Side View

Front View

Dayton/Richmond Two Bolt Preset Anchor



PW-1

(⌀ washer, 1/2" [13] x 4" [102] x 4" [102])  
(Galvanized as per ASTM A153)

<b>PLATE P-1</b>	
Total Required = 2	
(4) PW-1 Req'd. per Plate	

**CONSPAN**  
BRIDGE SYSTEMS  
© 1991  
3100 Research Blvd.  
P.O. Box 20266  
Dayton, Ohio 45420-0266  
(903) 526-3989

Offices  
Dayton, OH (937) 254-2233  
fax (937) 254-8365  
Charlotte, NC (704) 548-8420  
Sacramento, CA (916) 787-8701  
Albany, NY (518) 571-2871

CONSPAN® is a patented system and the furnishing of this drawing does not constitute an express or implied license.

Revisions:	
No.	Date
1	
2	
3	
4	

Sheet Title:  
WINGWALL CONNECTION PLATE  
SHOP DRAWING

Producer:  
CONCRETE SYSTEMS, INC.  
NEW ENGLAND  
800-342-3374

VERMONT  
ROCKINGHAM  
VT. RTE. 121  
BRIDGE NO: 7

Des. By: KJG	Job No. 11415
Drawn By: JLL	Sheet No.
Chk'd By: JVP	<b>S28</b>
Date: 6/22/04	084