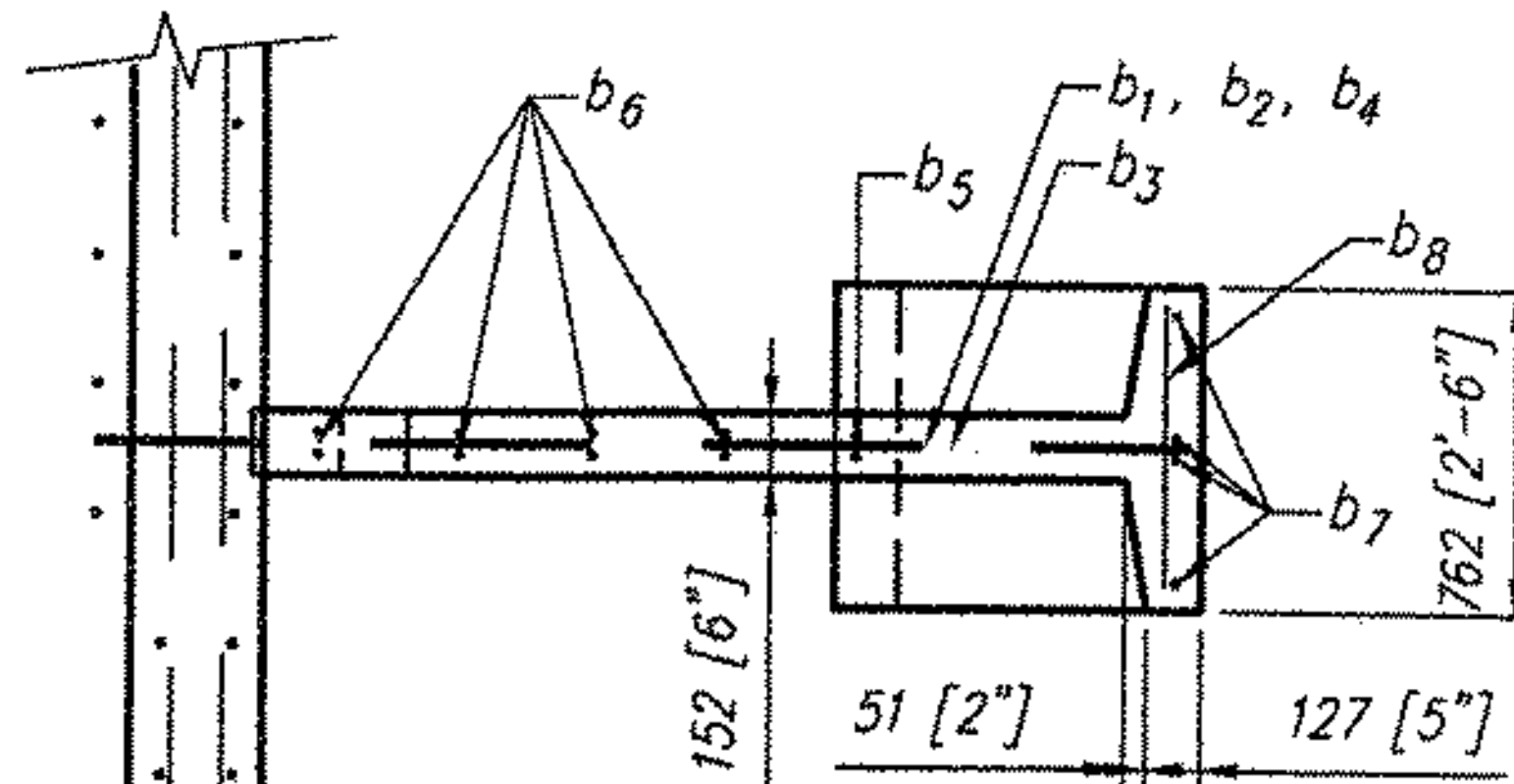


BAR LIST					
MARK	QTY.	SIZE	L	Type	LENGTH
b ₁	1	#5	6'-0"	1	---
b ₂	1	#5	6'-8"	3	---
b ₃	1	#5	7'-0"	4	---
b ₄	1	#5	7'-4"	1	---
b ₅	2	#5	3'-8"	2	---
b ₆	8	#5	---	Str.	3'-2"
b ₇	4	#5	---	Str.	4'-2"
b ₈	7	#5	---	Str.	2'-2"

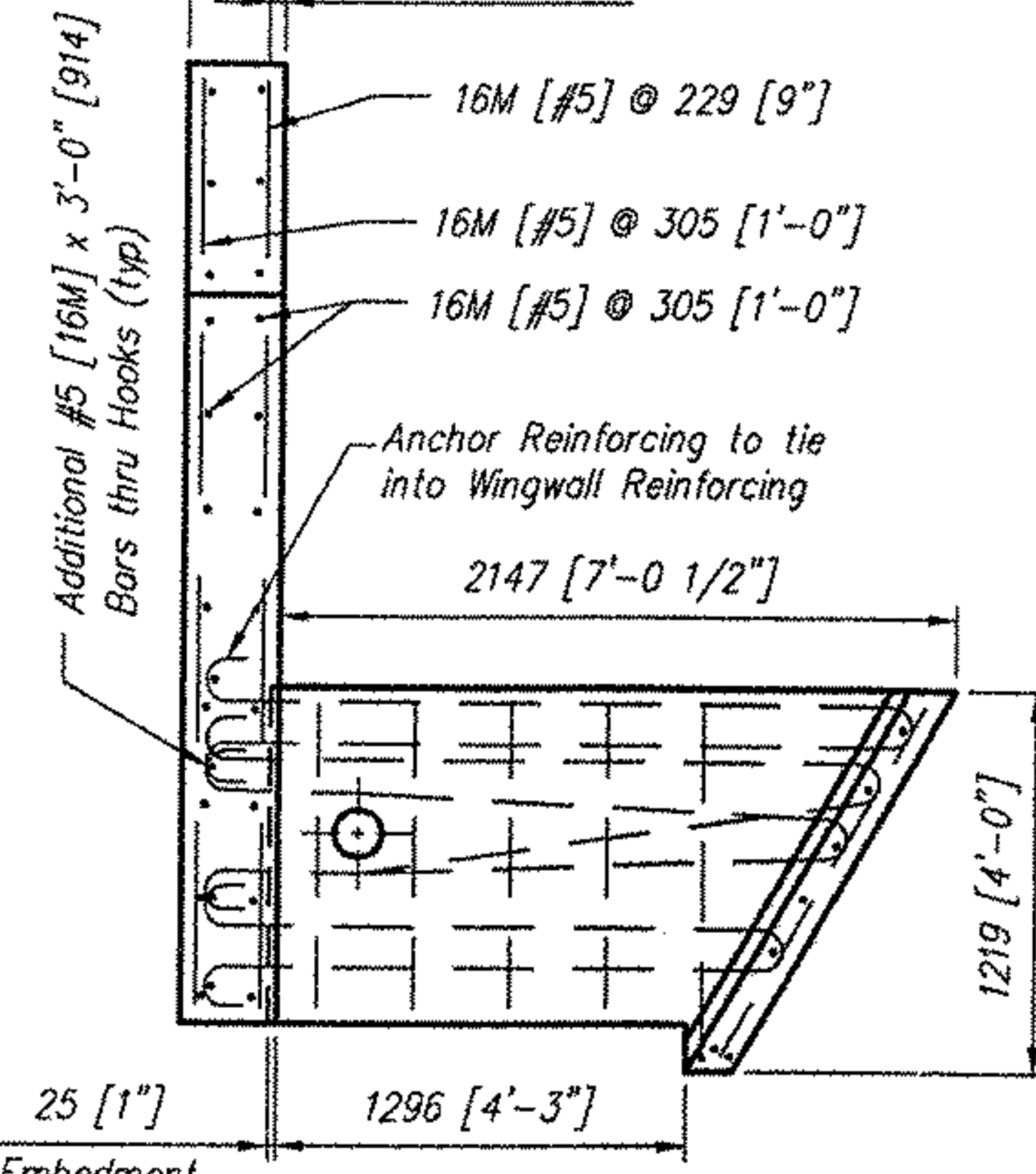
Note: "Str." denotes straight bar. Standard Clearance = 2"

BAR LIST					
MARK	QTY.	SIZE	L	Type	LENGTH
b ₁	1	16M	1829	1	---
b ₂	1	16M	2032	3	---
b ₃	1	16M	2134	4	---
b ₄	1	16M	2235	1	---
b ₅	2	16M	1118	2	---
b ₆	8	16M	---	Str.	965
b ₇	4	16M	---	Str.	1270
b ₈	7	16M	---	Str.	660

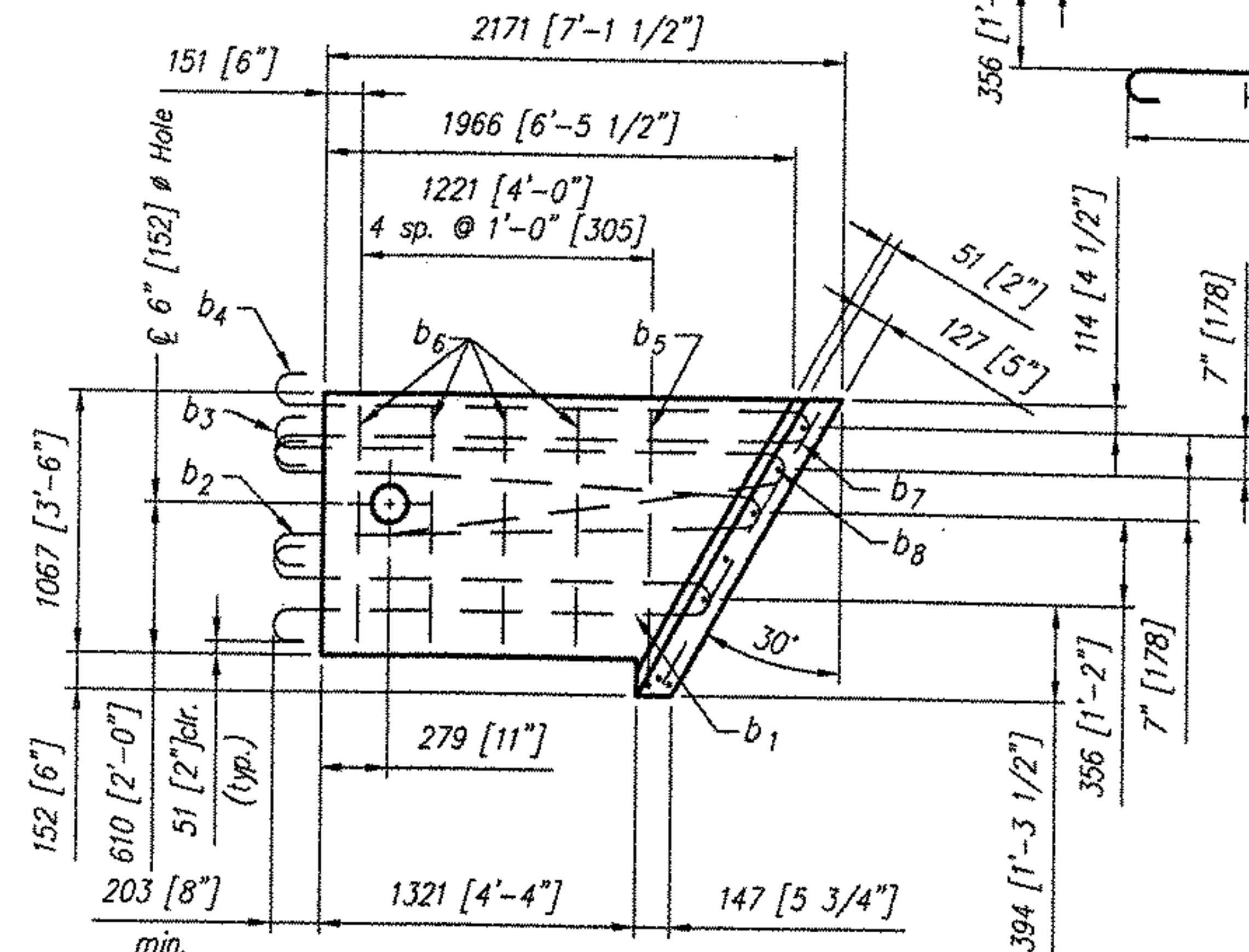
Note: "Str." denotes straight bar. Standard Clearance = 51



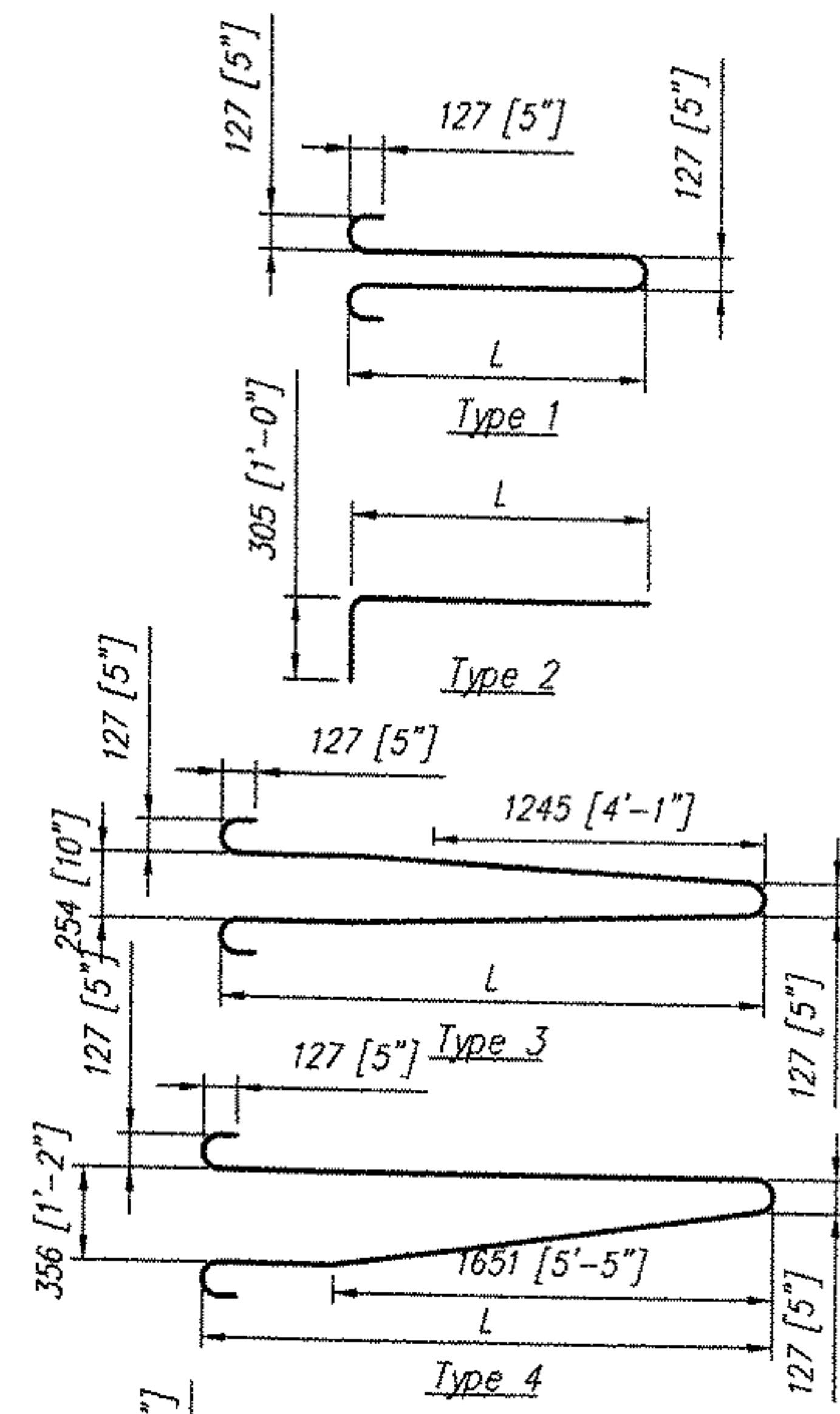
PLAN



SECTION



PRECAST ANCHOR TYPE E



CONSPAN
BRIDGE SYSTEMS
3100 Research Blvd.
P.O. Box 20266
Dayton, Ohio 45420-0266
(800) 526-3999

Offices:
Dayton, OH (937) 254-2233
fax (937) 254-8365
Charlotte, NC (704) 548-8420
Sacramento, CA (916) 787-8701
Albany, NY (518) 371-2871

CONSPAN® is a patented system and the furnishing of this drawing does not constitute an express or implied license.

Revisions:		Date
No.		
1		
2		
3		
4		

Sheet Title: WINGWALL ANCHOR E SHOP DRAWING
Producer: CONCRETE SYSTEMS, INC. NEW ENGLAND 800-342-3374

VERMONT
ROCKINGHAM
VT. RTE. 121
BRIDGE NO: 7

Des. By: KJG	Job No. 11415
Drawn By: JLL	Sheet No. S27
Chk'd By: JVP	
Date: 6/22/04	083