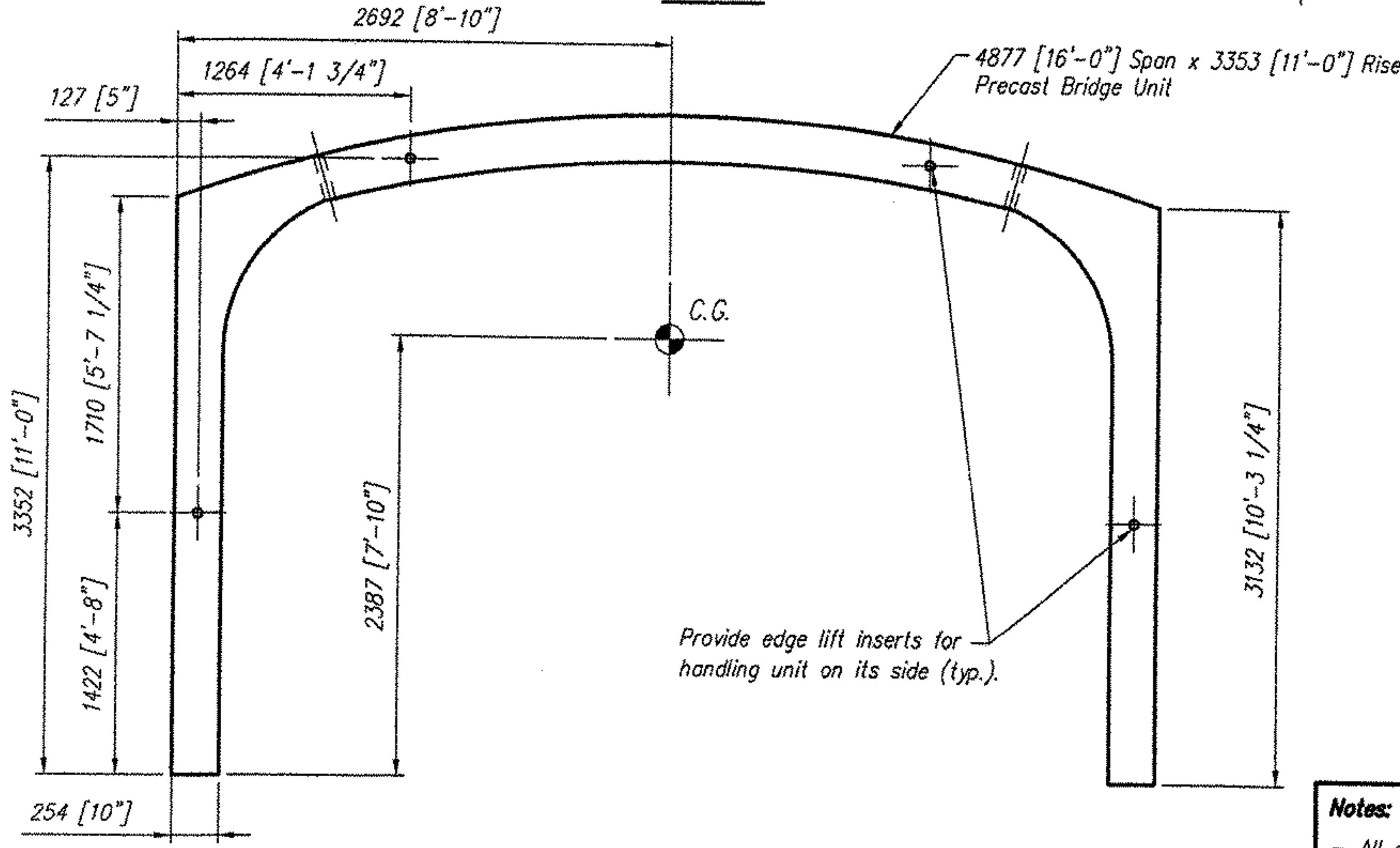


PLAN



ELEVATION



- Notes:**
- All edges of Precast to have a 19 [3/4"] chamfer
 - All reinforcing to be epoxy coated

Total Weight = 14.7 Metric Tons [16.2 Tons]

CONSPAN
BRIDGE SYSTEMS
3100 Research Blvd.
P.O. Box 20266
Dayton, Ohio 45420-0266
(800) 526-3889

Offices
Dayton, OH (937) 254-2233
fax (937) 254-6365
Charlotte NC (704) 548-8420
Sacramento, CA (916) 787-8701
Albany, NY (518) 371-2871

CON/SPAN® is a patented system and the furnishing of this drawing does not constitute an express or implied license.

Revisions:	
No.	Date
1	
2	
3	
4	

Sheet Title:
INTERIOR UNIT - C4
SHOP DRAWING

Producer:
CONCRETE SYSTEMS, INC.
NEW ENGLAND
800-342-3374

VERMONT

**VT. RTE. 121
BRIDGE NO. 7**

ROCKINGHAM

Des. By KJG	Job No. 11415
Drawn By JLL	Sheet No.
Chk'd By JVP	S13
Date: 6/22/04	068