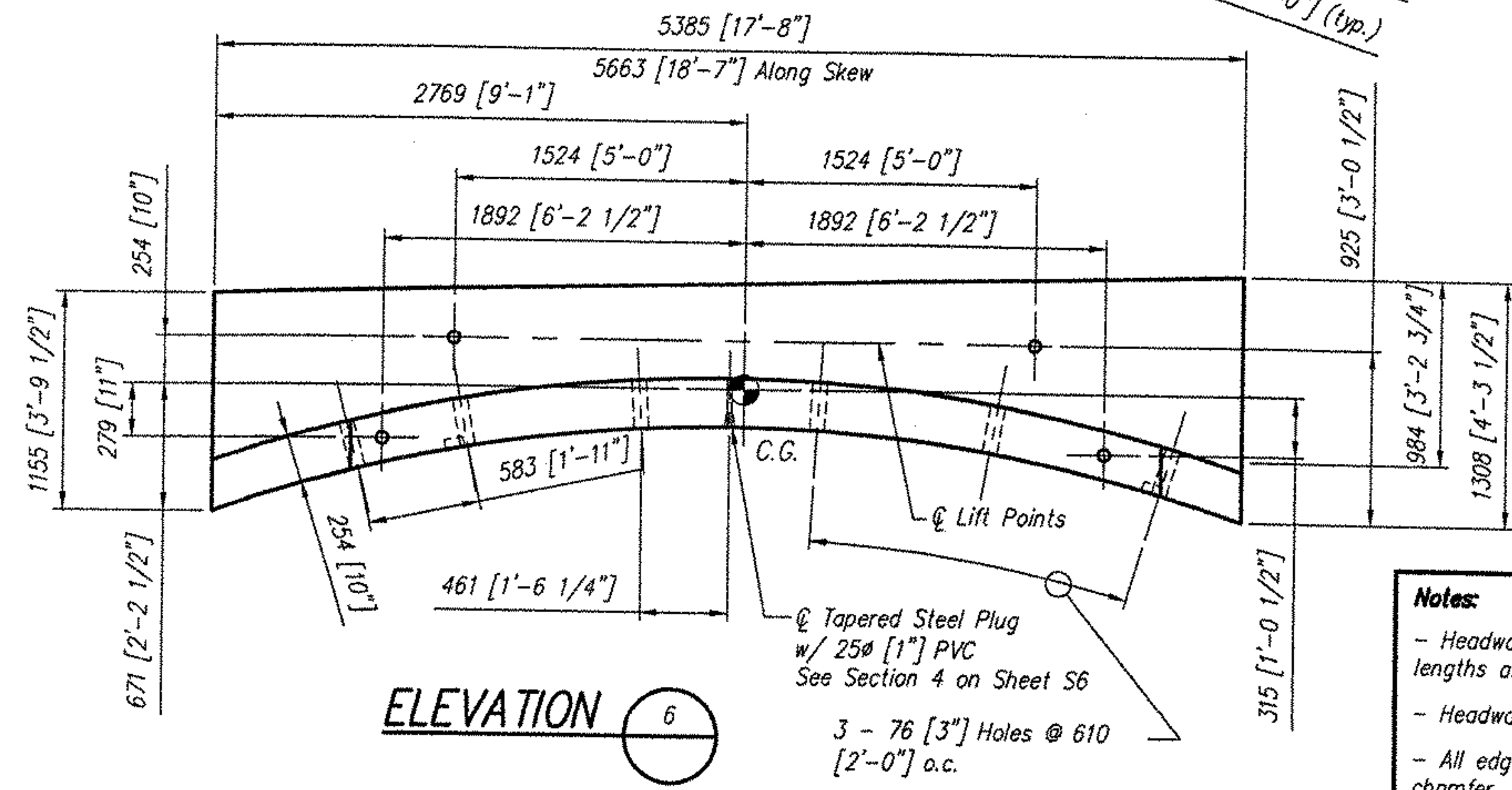


PLAN - HW1
 Total Weight = 4.2 Metric Tons [4.6 tons]

6
 Ⓞ 6 - 76 [3"] Holes
 @ 610 [2'-0"] o.c. (u.n.o.)
 Ⓞ 102 [4"] x 102 [4"]
 x 51 [2"]
 Blockout (typ.)



ELEVATION 6

3 - 76 [3"] Holes @ 610 [2'-0"] o.c.

Ⓞ Tapered Steel Plug
 w/ 25 [1"] PVC
 See Section 4 on Sheet S6

Notes:
 - Headwall will not hang level. Adjust cable lengths as required
 - Headwall to be cast against bridge unit
 - All edges of Precast to have a 19 [3/4"] chamfer

CONSPAN
 BRIDGE SYSTEMS
 3100 Research Blvd.
 P.O. Box 20286
 Dayton, Ohio 45420-0286
 (900) 526-3999
 © 1991

Offices:
 Dayton, OH (937) 254-2233
 fax (937) 254-8285
 Charlotte NC (704) 548-8420
 Sacramento, CA (916) 787-8701
 Albany, NY (518) 371-2871

CONSPAN® is a patented system and the furnishing of this drawing does not constitute an express or implied license.

Revisions:	
No.	Date
1	
2	
3	
4	

Sheet Title:
 C.G. & LIFT POINTS - HW1
 SHOP DRAWING

Producer:
 CONCRETE SYSTEMS, INC.
 NEW ENGLAND
 800-342-3374

VERMONT
 ROCKINGHAM
 VT. RTE. 121
 BRIDGE NO: 7

Des. By: KJG	Job No. 11415
Drawn By: JLL	Sheet No. S8
Chk'd By: JVP	
Date: 6/22/04	063