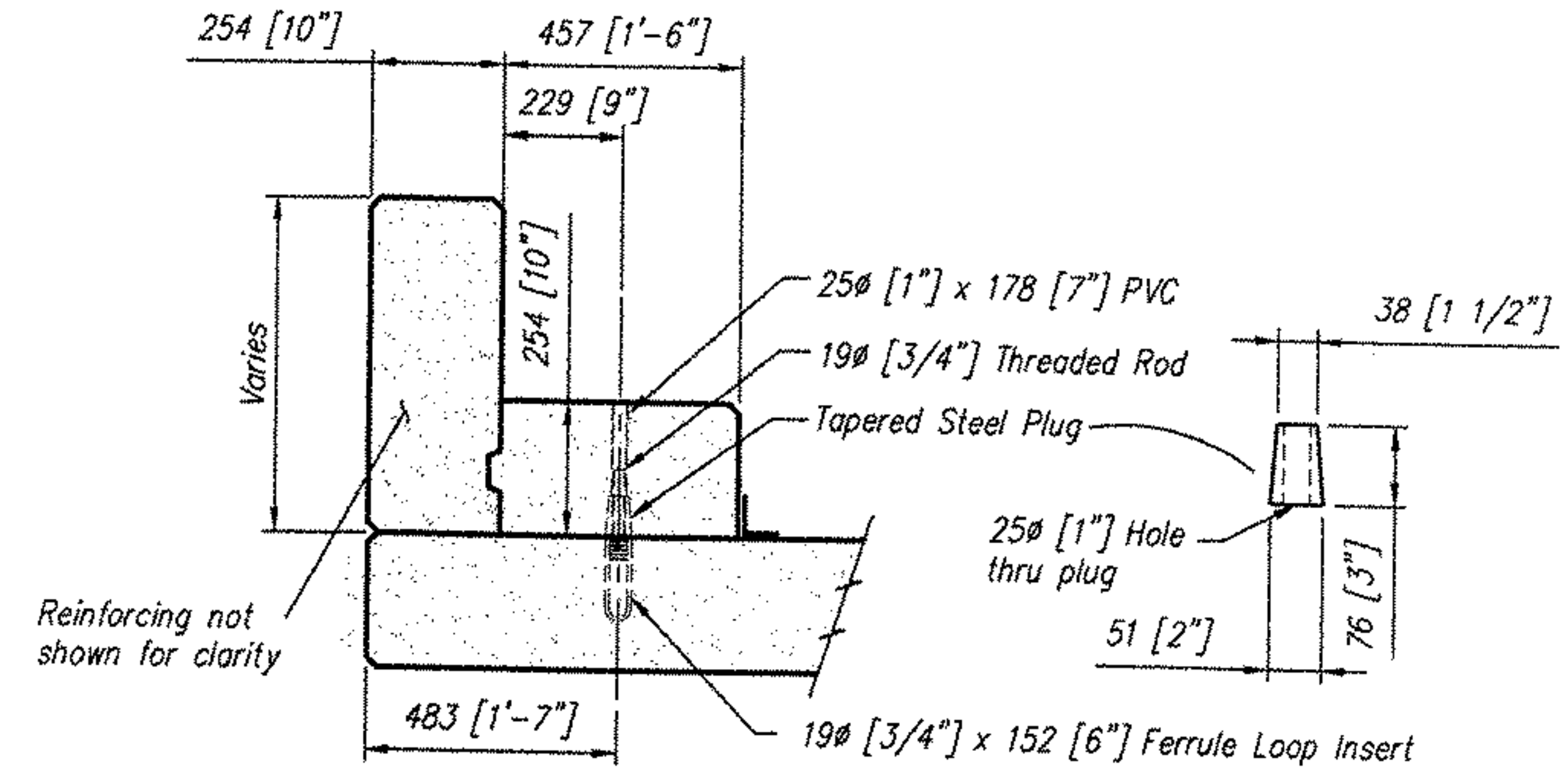


SECTION 3
S5,S18



SECTION 4
S5,S18

- Notes:**
- Headwall to be cast against bridge unit
 - All edges of Precast to have a 19 [3/4"] chamfer
 - All reinforcing to be epoxy coated

3100 Research Blvd.
 P.O. Box 20286
 Dayton, Ohio 45420-0286
 (603) 529-3999

Offices
 Dayton, OH (937) 254-2233
 fax (937) 254-8365
 Charlotte NC (704) 548-8420
 Sacramento, CA (916) 787-8701
 Albany, NY (516) 371-2871

CONSPAN® is a patented system and the furnishing of this drawing does not constitute an express or implied license.

Revisions:	No.	Date
	1	
2		
3		
4		

Sheet Title: HEADWALL SECTIONS SHOP DRAWING
 Producer: CONCRETE SYSTEMS, INC. NEW ENGLAND 800-342-3374

VERMONT
 ROCKINGHAM
 VT. RTE. 121
 BRIDGE NO: 7

Des. By: KJG	Job No. 11415
Drawn By: JLL	Sheet No. S6
Chk'd By: JVP	
Date: 6/22/04	061