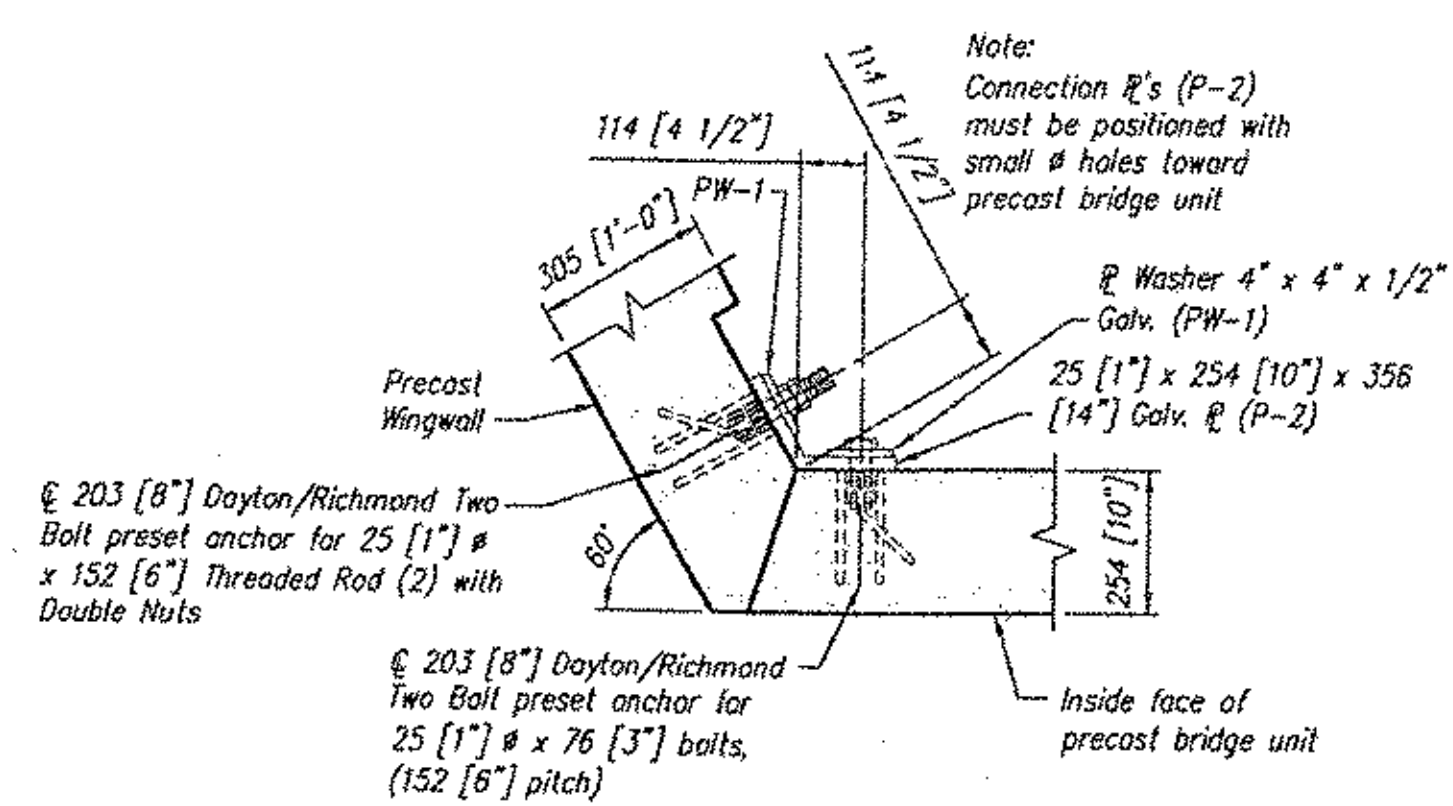


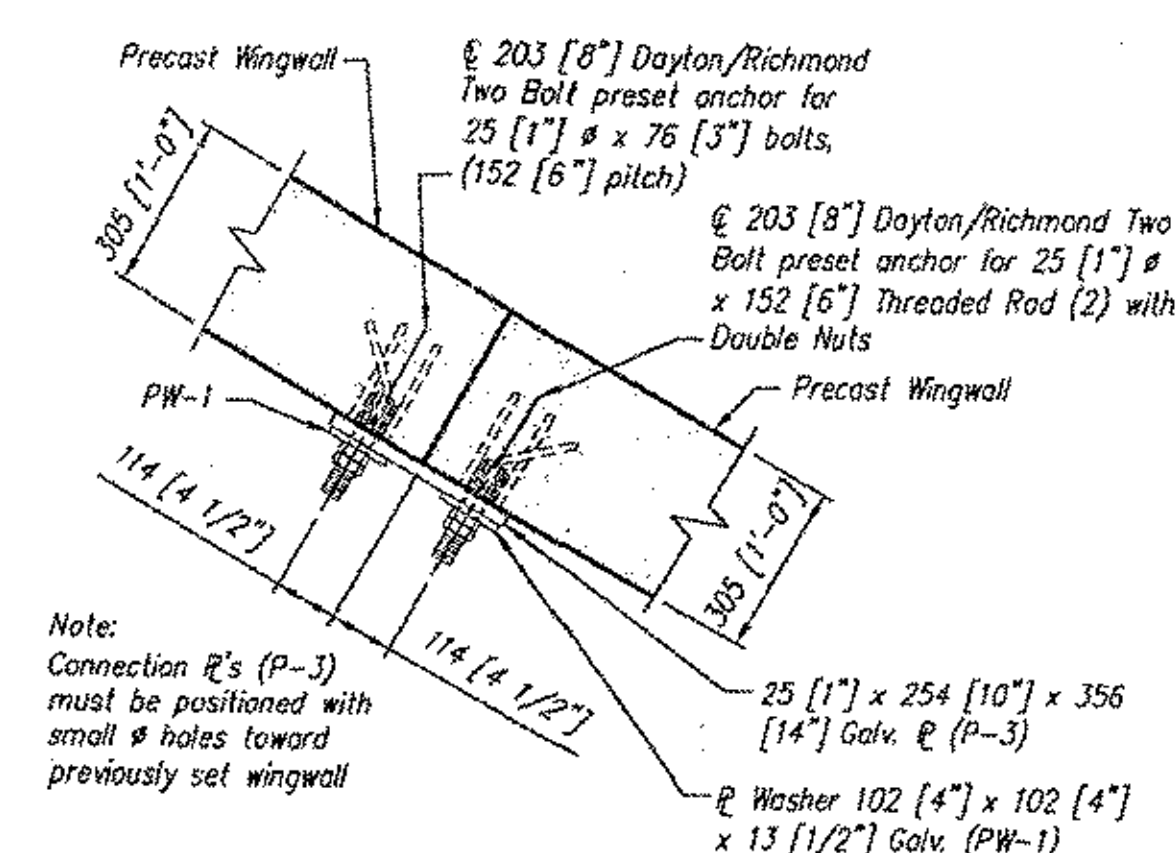
Note:
Connection P's (P-1)
must be positioned with
small # holes toward
precast bridge unit

DETAIL 4
C/S1



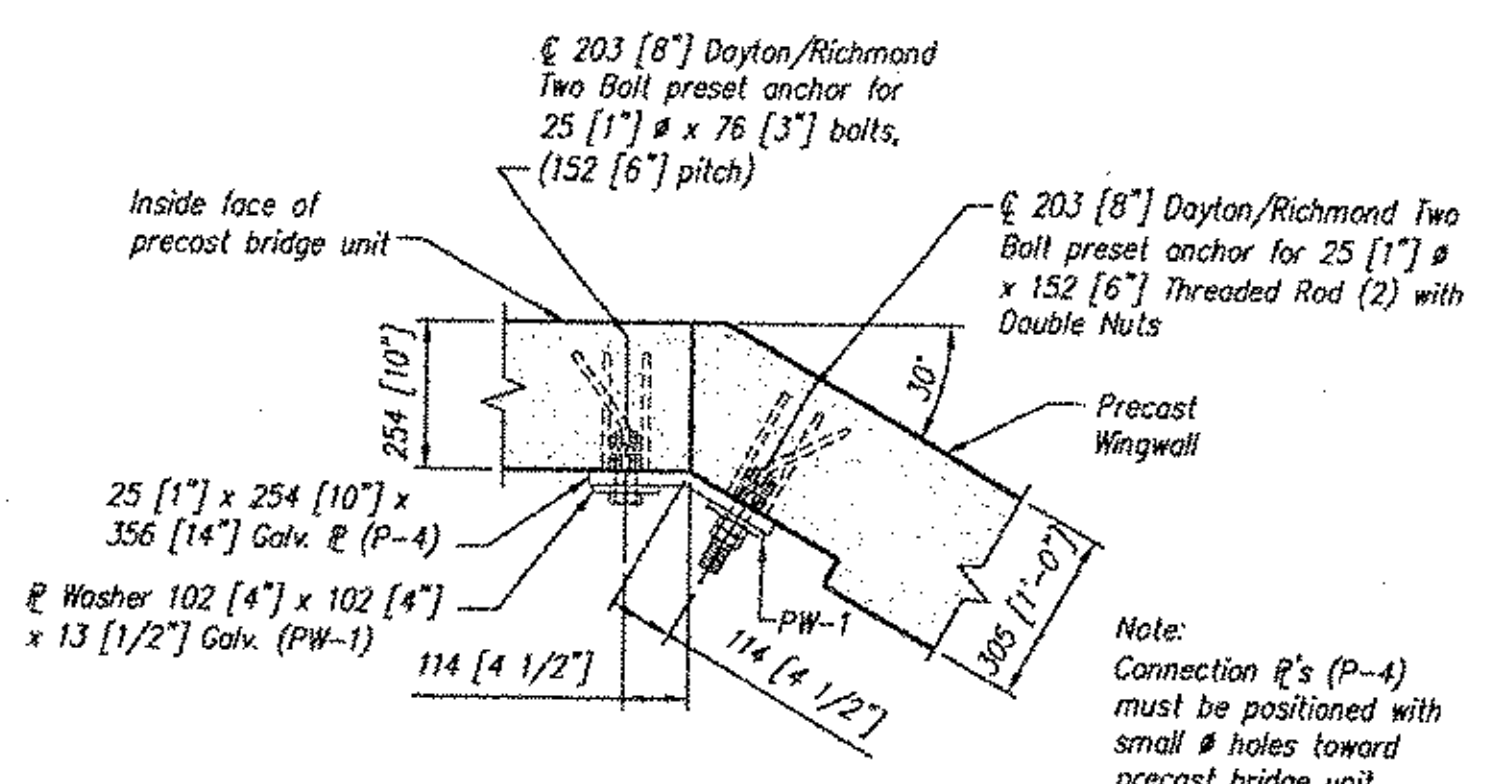
Note:
Connection P's (P-2)
must be positioned with
small # holes toward
precast bridge unit

DETAIL 5
C/S1



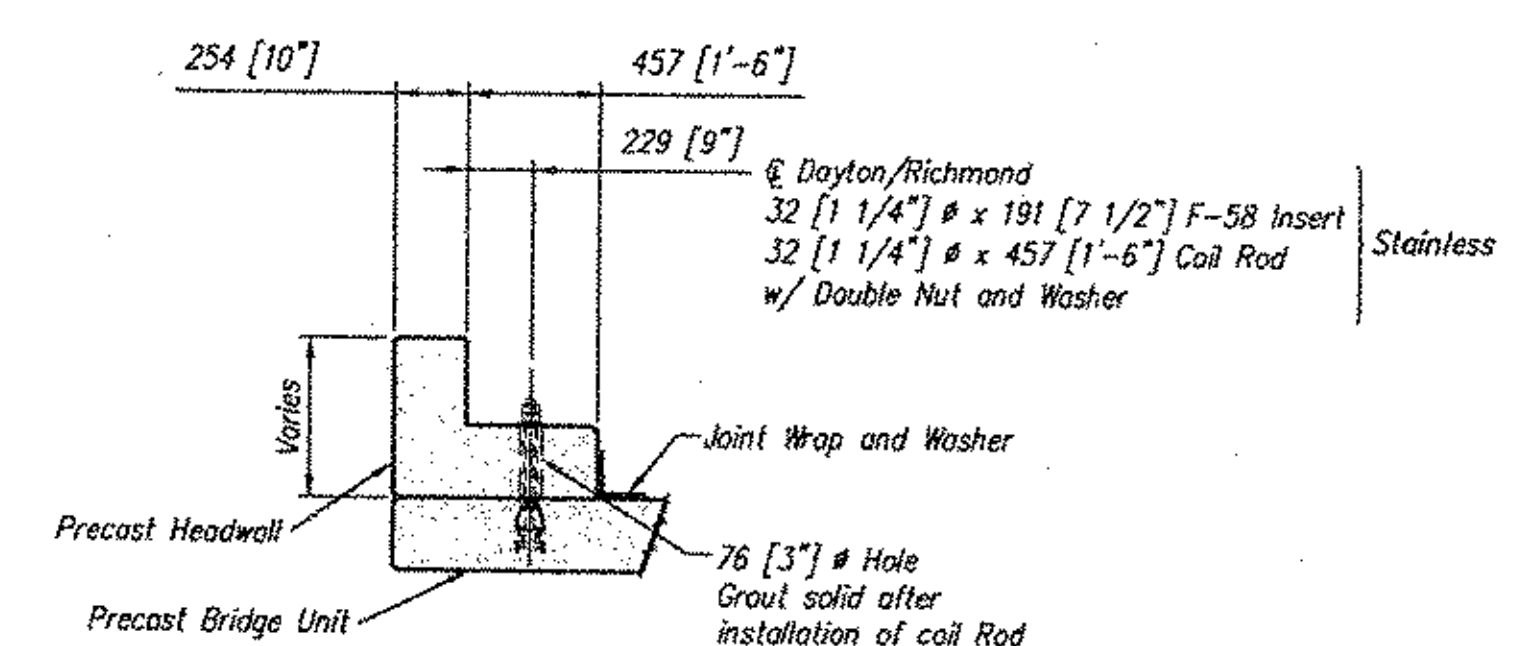
Note:
Connection P's (P-3)
must be positioned with
small # holes toward
previously set wingwall

DETAIL 6
C/S1



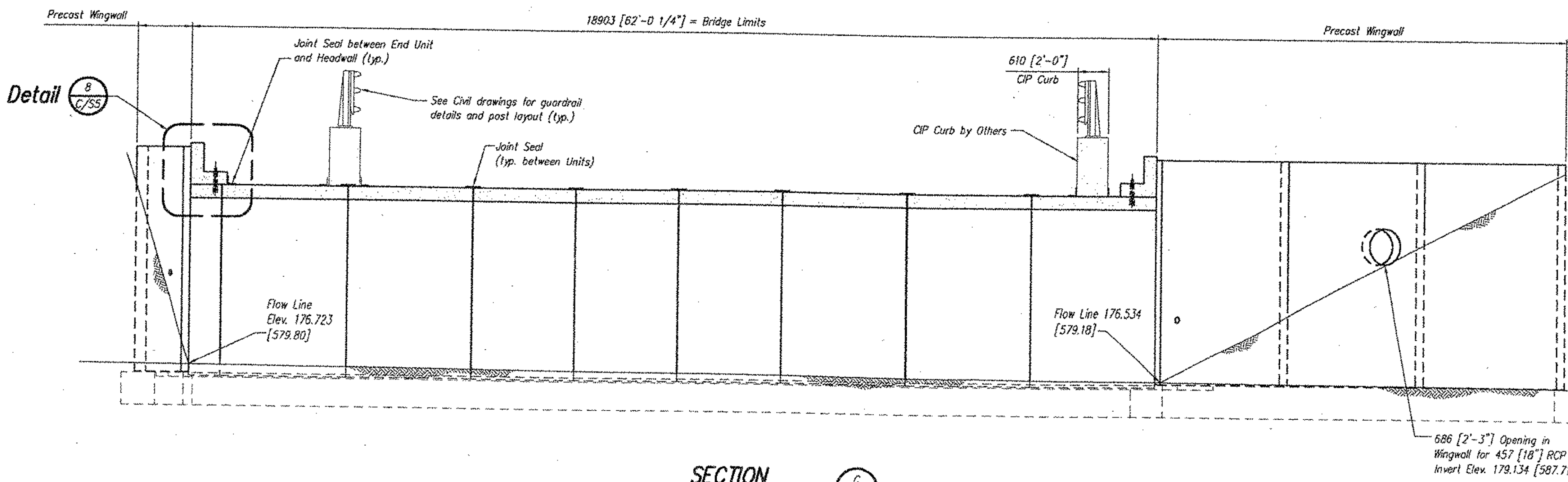
Note:
Connection P's (P-4)
must be positioned with
small # holes toward
precast bridge unit.

DETAIL 7
C/S1



Note: All Metric dimensions are given in millimeters and
all elevations are given in meters unless noted otherwise.

DETAIL 8
C/S5



SECTION C
C/S1

RECEIVED
CK'D BY _____ OK'D BY _____
JUN 25 2004
RESUBMIT _____ APPROVED _____
BY RW DATE 6-28-04

STATE OF VERMONT
WILLIAM D. LOCKWOOD
No. 6739
PROFESSIONAL ENGINEER

NOTES: The design and information shown on this drawing is provided as a service to the project owner, engineer and contractor by CONISPAN® Bridge Systems LLC. No part of this drawing may be used for any reproduction, or modification, or any other purpose without the written authorization of CONISPAN® Bridge Systems LLC. Any such use, reproduction, or modification of this drawing is done at the user's own risk and the user agrees to indemnify, defend and hold harmless CONISPAN® Bridge Systems LLC, its officers, directors, employees, agents, representatives, and assigns, including, but not limited to, reasonable attorney's fees, arising from such use, reproduction or modification.

If any dispute arises between the user and CONISPAN® Bridge Systems LLC, the user agrees to resolve such dispute through arbitration in accordance with the arbitration rules of the American Arbitration Association. CONISPAN® Bridge Systems LLC, its officers, directors, employees, agents, representatives, and assigns, shall not be liable for damages, including consequential damages, arising from the use of this drawing.

The CONISPAN® Bridge System is produced by one or more patents, pending patents and trademarks.

REVISIONS	
No.	Date
1	6/22/04
2	
3	
4	
5	
6	
7	

Provider Locally by:
CONCRETE SYSTEMS, INC.
NEW ENGLAND
800-942-3374

CONISPAN®
BRIDGE SYSTEMS
5100 Research Blvd., P.O. Box 20269 Dayton, Ohio 45420-0269
(603) 526-3839
(800) 254-2233
(704) 548-8420
(916) 781-8701
(916) 371-2871

Offices:
Dayton, OH (937) 254-3365 FAX
Charlotte, NC (704) 548-8420 FAX
Sacramento, CA (916) 781-8701 FAX
Albany, NY (518) 371-2872 FAX

VERMONT
ROCKINGHAM
VT. RTE. 121
BRIDGE NO: 7

Designed	KJR	C/S Project No.	11415
Drawn	JLL		
Checked	JVP	Sheet No.	C/S5
Date	6/18/04		

054