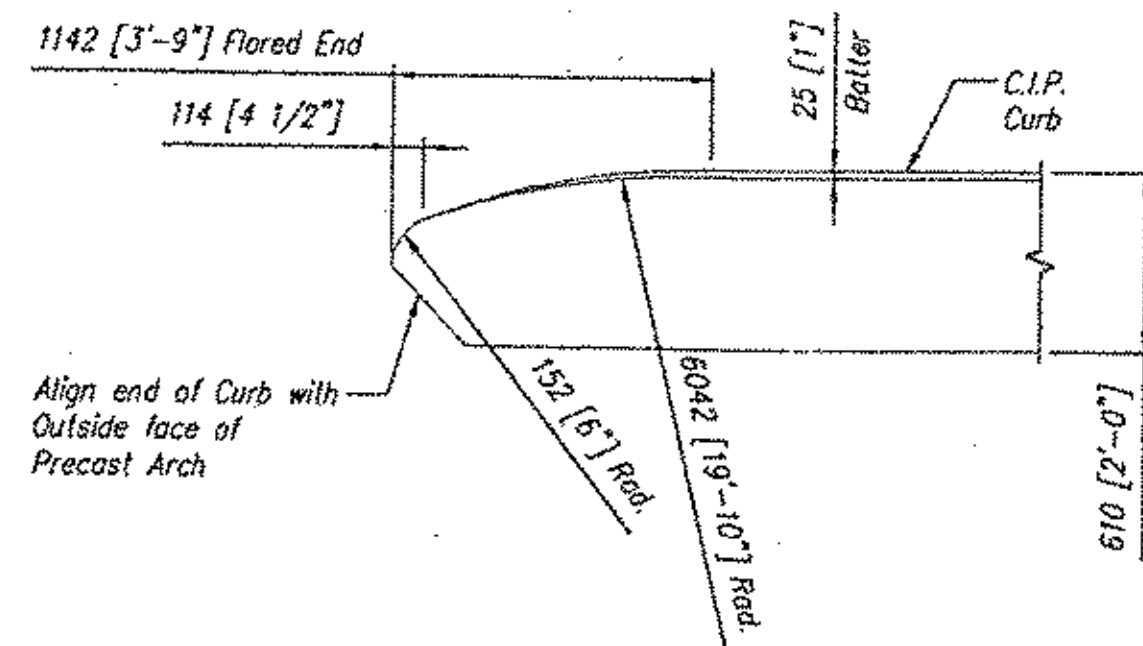
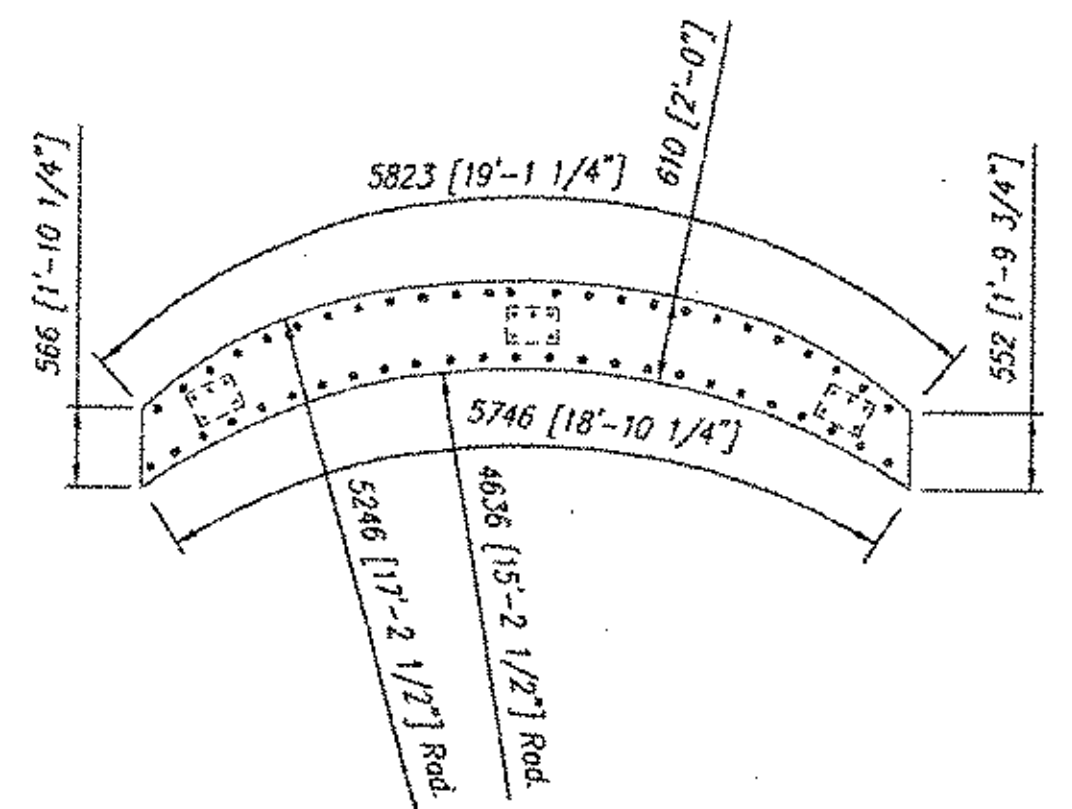


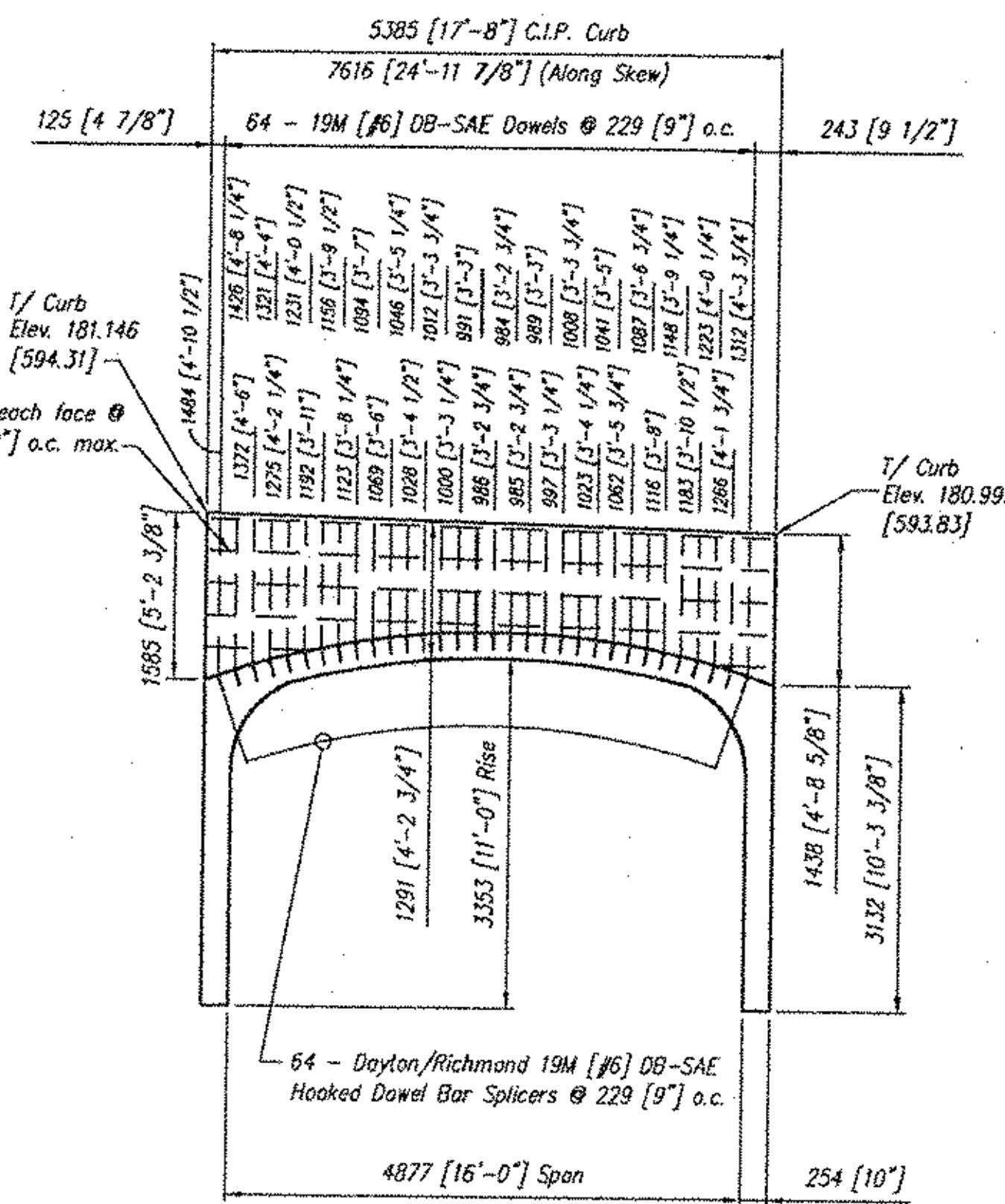
CIP CURB - C1



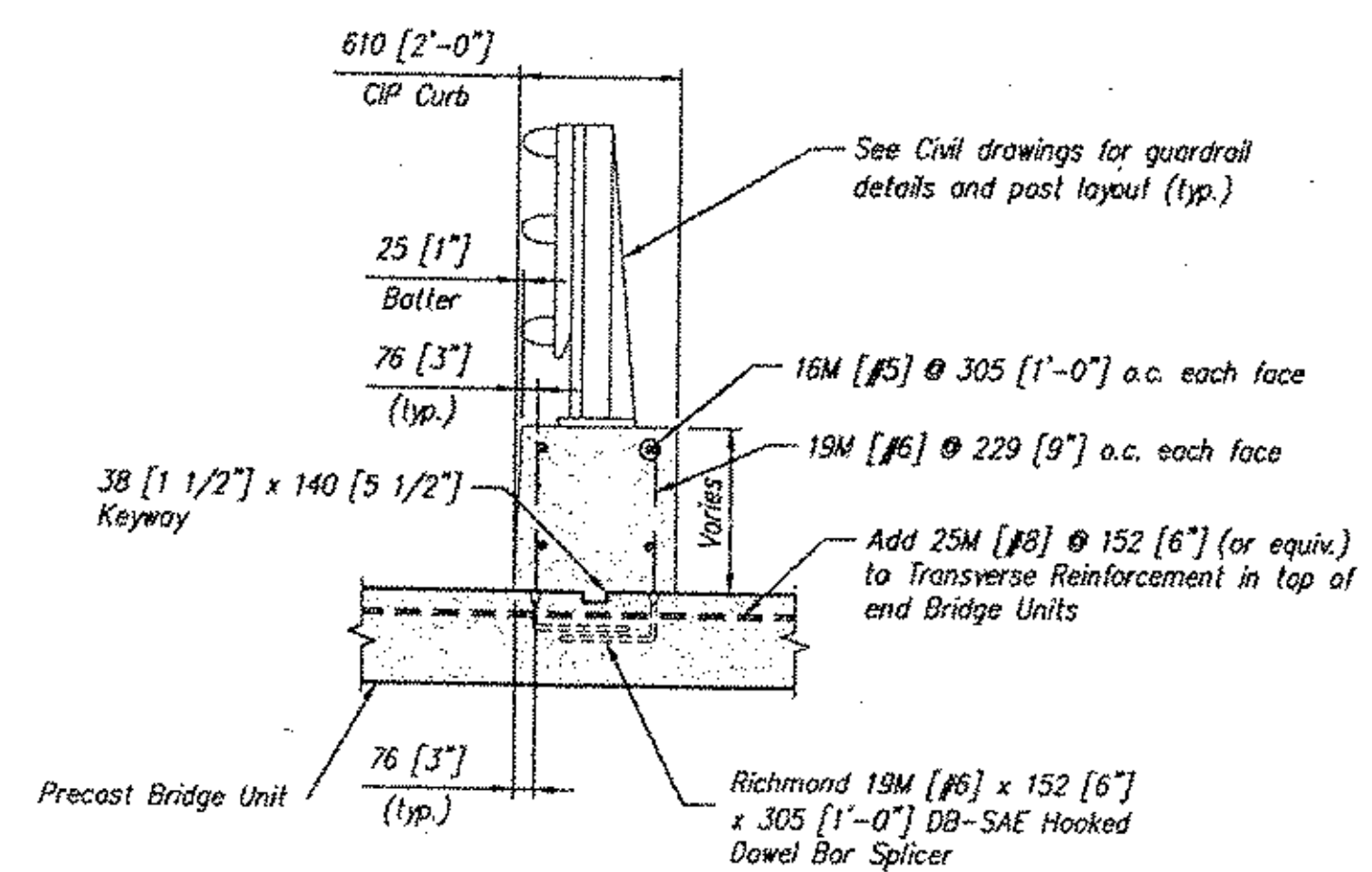
DETAIL 3 C/S1



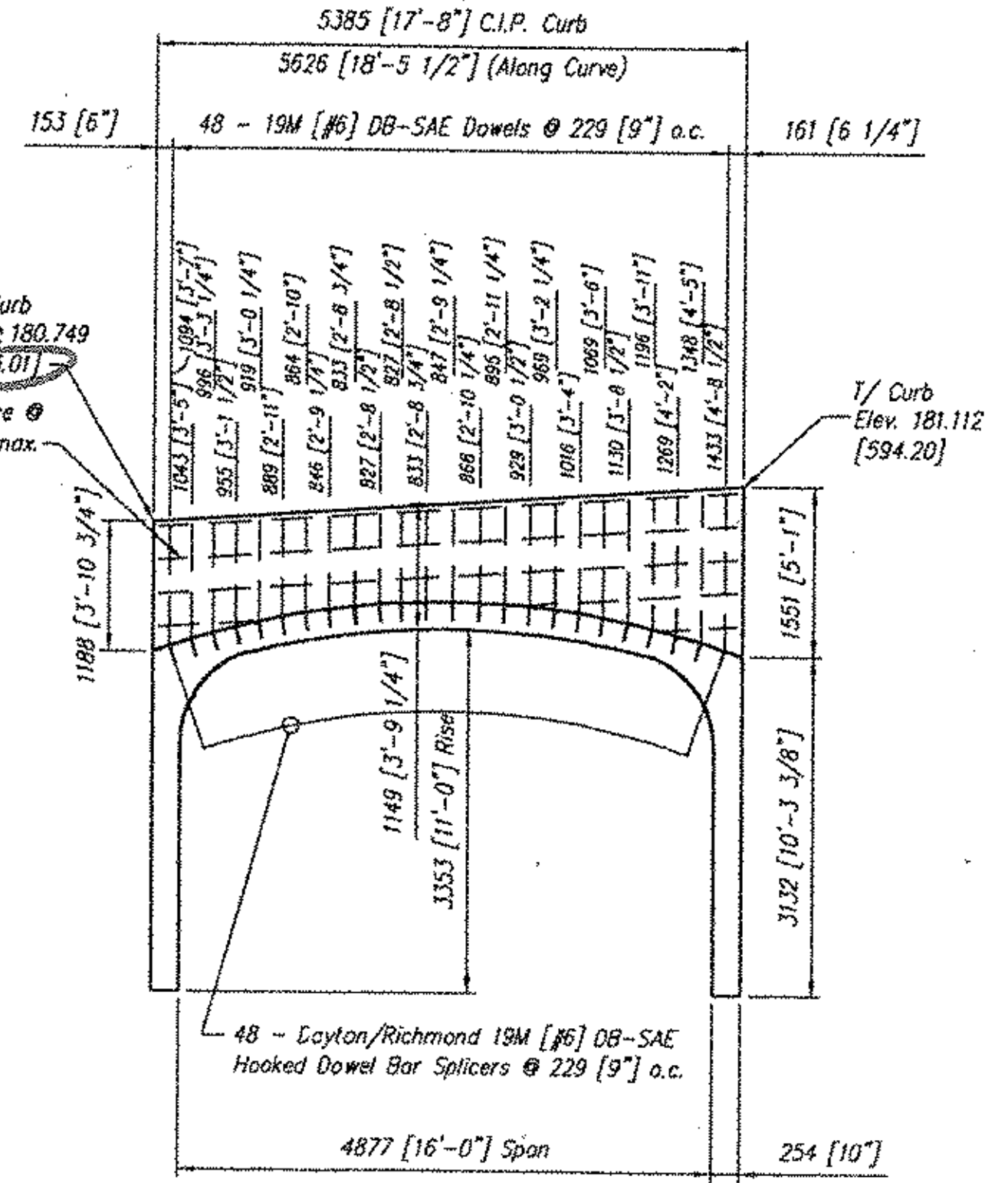
CIP CURB - C2



CIP CURB - C1 REINFORCING ELEVATION (Looking South)

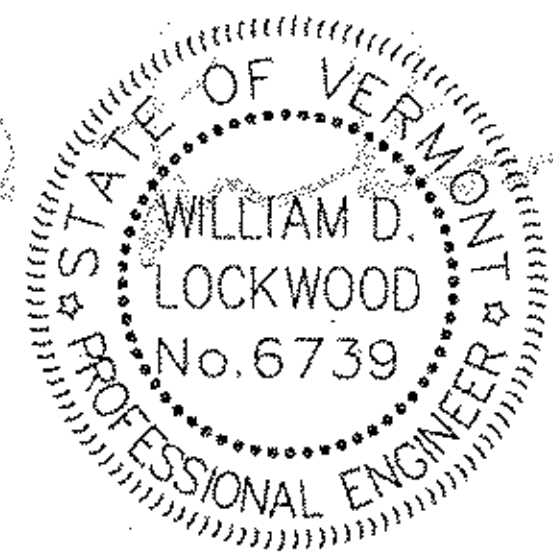


SECTION D C/S1



CIP CURB - C2 REINFORCING ELEVATION (Looking North)

RECEIVED
 CK'D BY _____ OK'D BY _____
 JUN 25 2004
 RESUBMIT _____ APPROVED *As Noted*
 BY *Rlw* DATE *6-22-04*



053

NOTICE: The design and information shown on this drawing is provided as a service to the project owner, engineer and contractor by the project engineer, Concrete Systems, Inc. No part of this drawing may be used, reproduced, or modified in any way without the written consent of Concrete Systems, Inc. The project engineer shall be responsible for the design and information shown on this drawing. Concrete Systems, Inc. shall not be responsible for any errors, omissions, or inaccuracies in this drawing. Concrete Systems, Inc. shall not be responsible for any damage, injury, or loss resulting from the use of this drawing. Concrete Systems, Inc. shall not be responsible for any claims, damages, or liabilities, including, but not limited to, reasonable attorney's fees, arising from this contract, reproduction or modification. If discrepancies between the supplied information and actual field conditions are encountered as the work progresses, those discrepancies must be reported to CONSPAN® Bridge Systems Ltd. immediately for the resolution of the design. CONSPAN® Bridge Systems Ltd. accepts no liability for designs based on inaccurate information supplied by others. The CONSPAN® Bridge System is provided by one or more patents, pending patents and Trademarks.

NO.	DATE	REVISIONS
1	6/22/04	
2		
3		
4		
5		
6		
7		

Provided Locally by:
CONCRETE SYSTEMS, INC.
 NEW ENGLAND
 800-342-3374

CONSPAN®
 BRIDGE SYSTEMS
 3100 Research Blvd., P.O. Box 20208 Dayton, Ohio 45420-0208
 Office: (937) 536-3398 (937) 254-2233 (704) 546-6420 (919) 787-4223 FAX (937) 537-5271 (937) 537-5271
 Dayton, OH (802) 254-4366 FAX (704) 546-6420 (919) 787-4223 FAX (937) 537-5271

VERMONT
 ROCKINGHAM
VT. RTE. 121
BRIDGE NO: 7
 Designer: KJG CS Project No: 11415
 Draftsman: JLL Sheet No:
 Checked: JVP
 Date: 6/18/04 **C/S4**