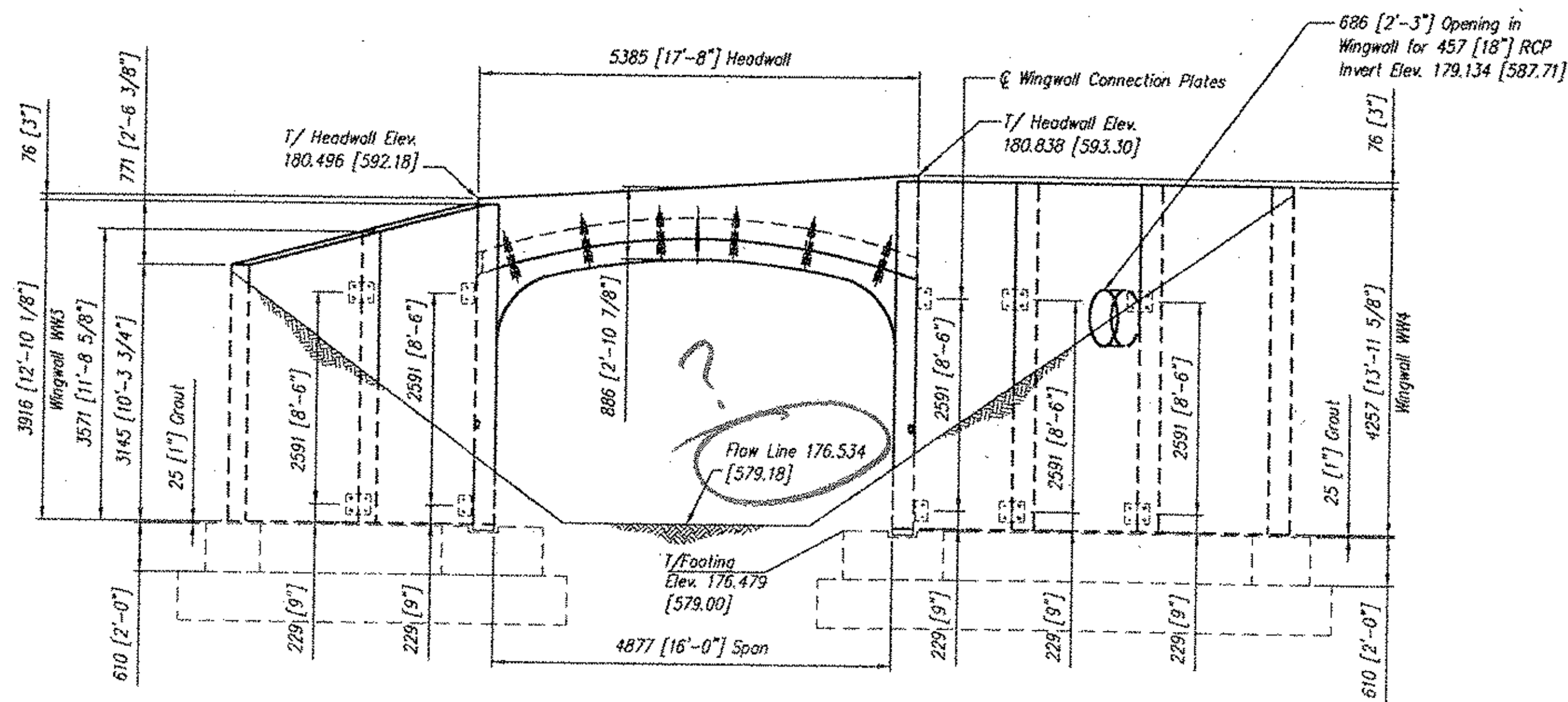
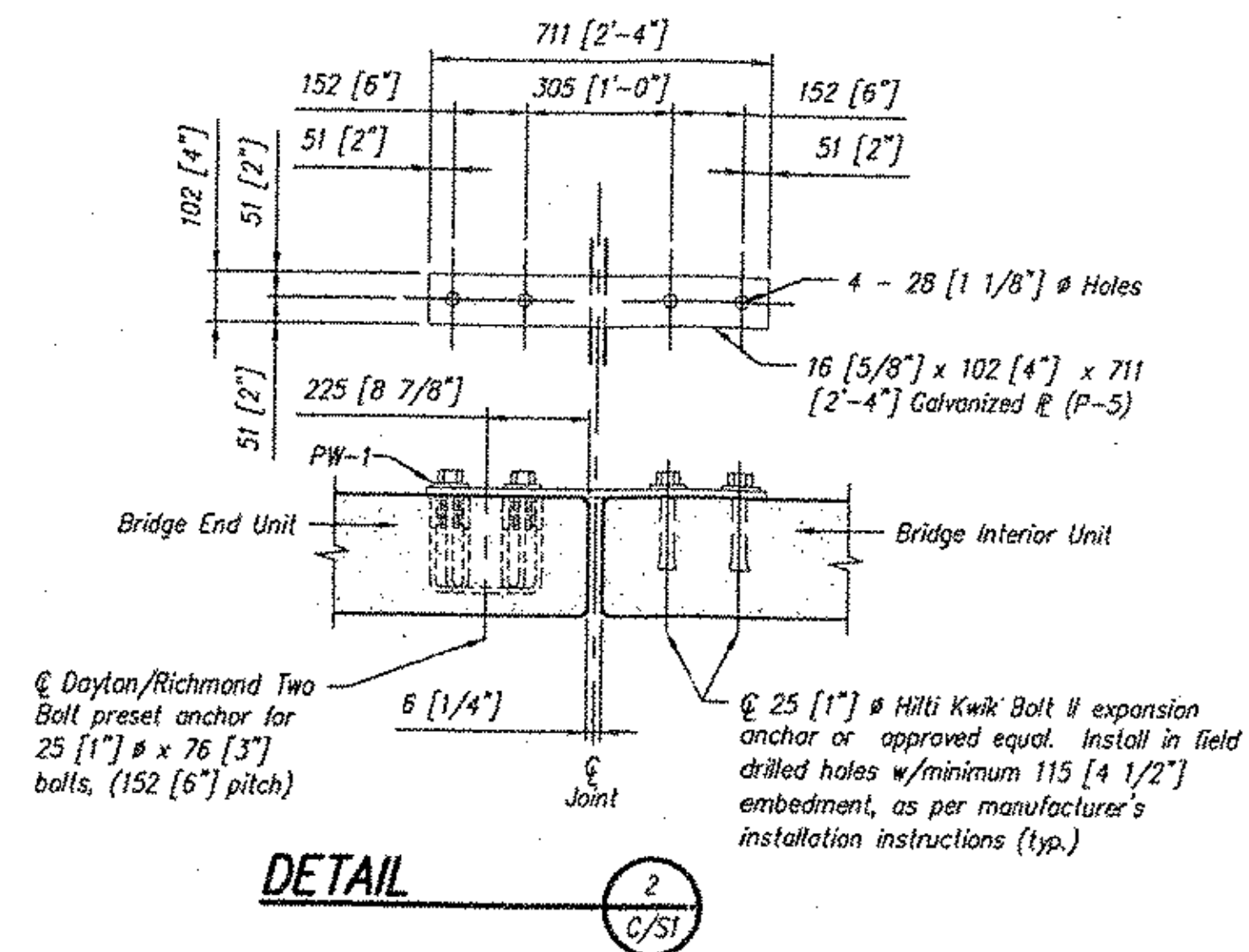


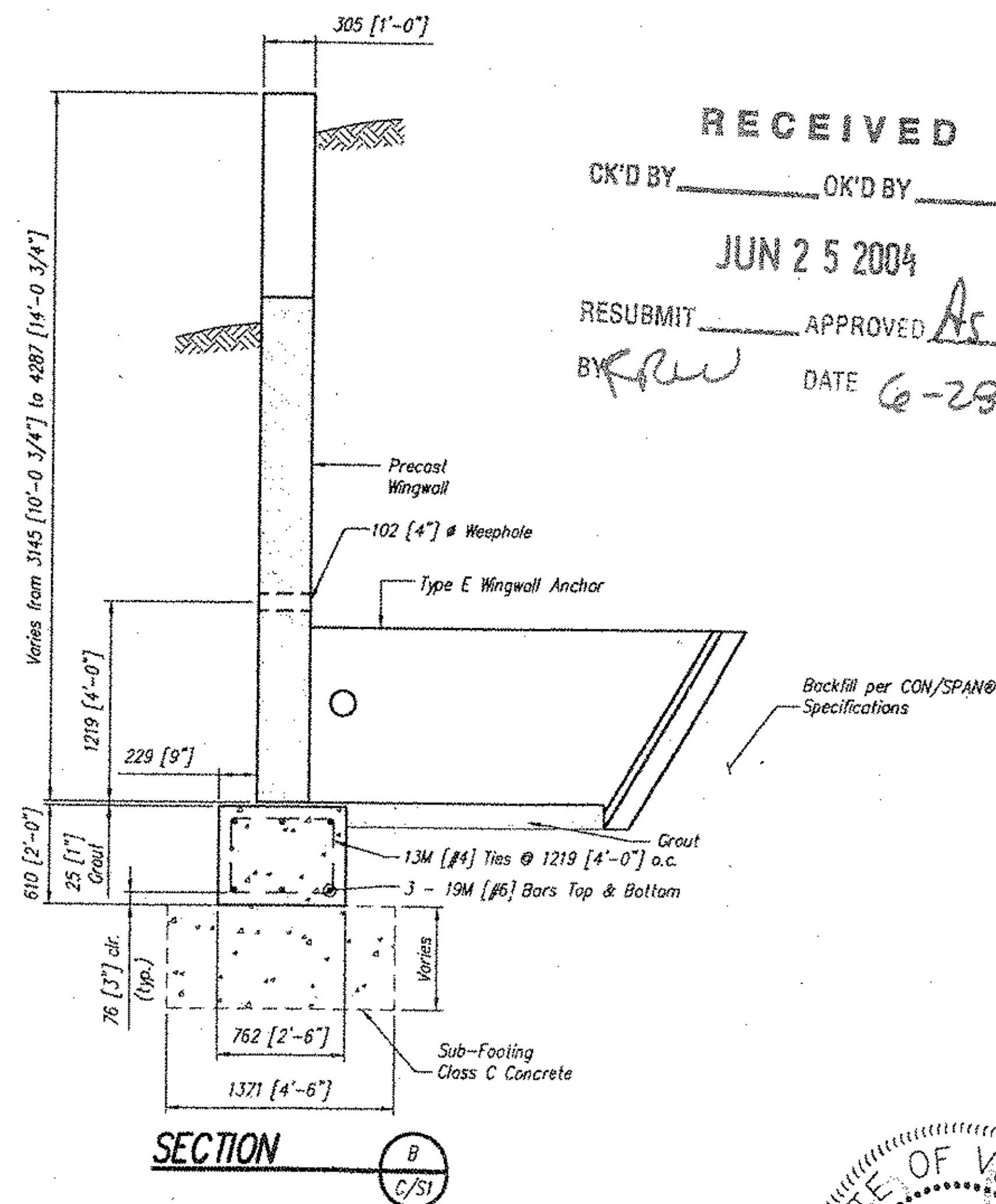
UPSTREAM END ELEVATION



DOWNSTREAM END ELEVATION



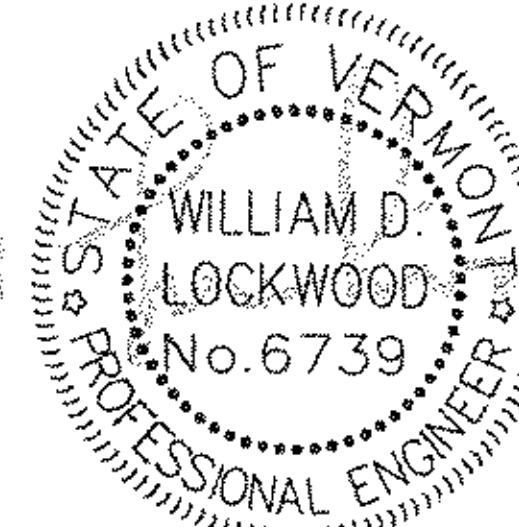
DETAIL 2 C/SI



SECTION B C/SI

Note: All Metric dimensions are given in millimeters and all elevations are given in meters unless noted otherwise.

RECEIVED
 CK'D BY _____ OK'D BY _____
JUN 25 2004
 RESUBMIT _____ APPROVED *As Noted*
 BY *KRW* DATE *6-29-04*



Provided Locally by:
CONCRETE SYSTEMS, INC.
 NEW ENGLAND
 800-342-3374

CON/SPAN®
 BRIDGE SYSTEMS
 3100 Research Blvd., P.O. Box 20266 Dayton, Ohio 45420-0266
 Offices: (800) 568-5989 (937) 254-4355 FAX (937) 254-2333
 Dayton, OH (704) 548-8588 FAX (704) 548-8420
 Charlotte, NC (919) 787-5701 (919) 787-5701
 Albany, NY (518) 371-5871 (518) 371-2812 FAX

VERMONT
VT. RTE. 121
BRIDGE NO: 7

Designed	KJG	C/S Project No.	11415
Drawn	JLL		
Checked	JYP	Sheet No.	
Date	8/18/04		C/S3

052