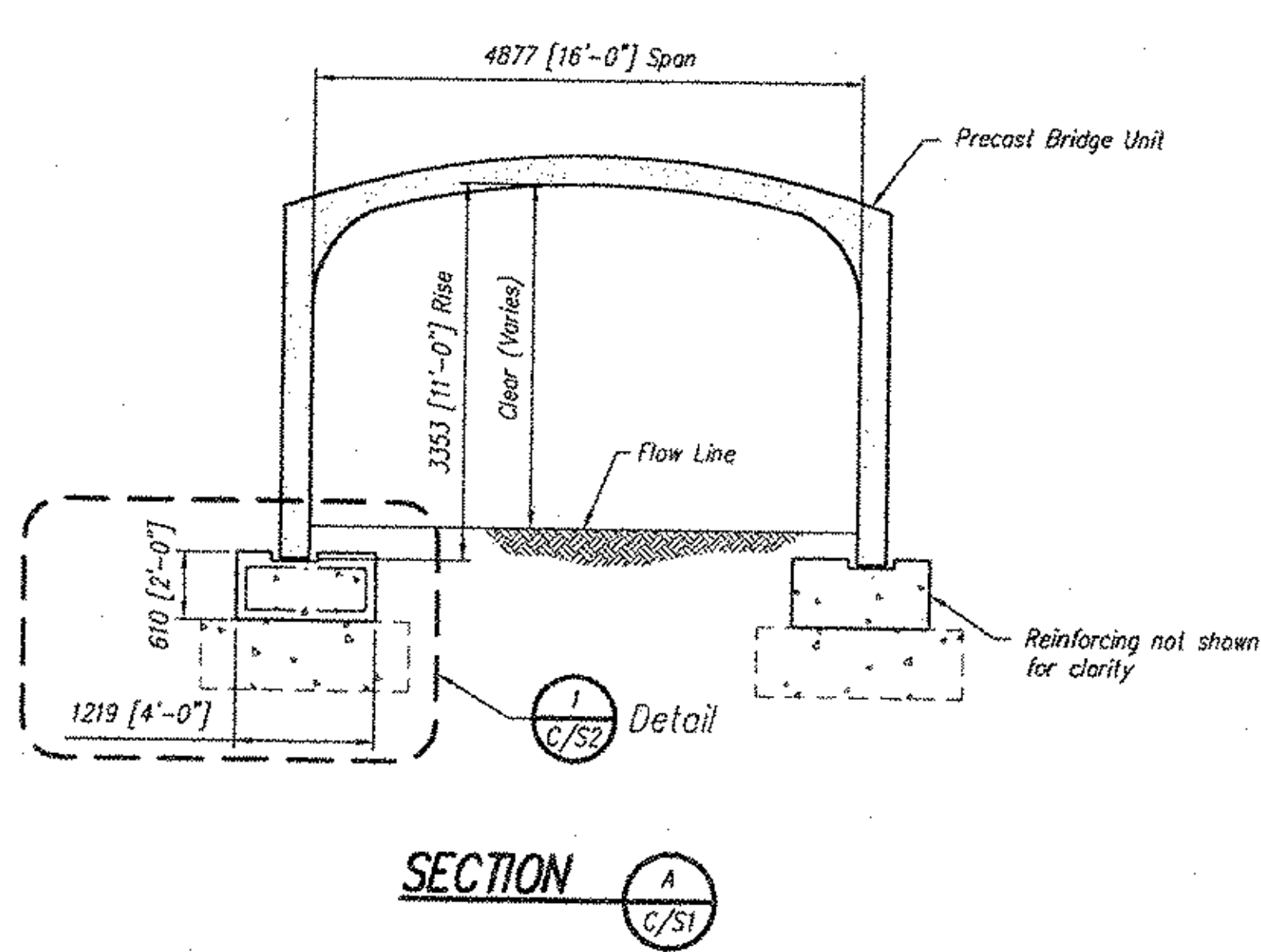
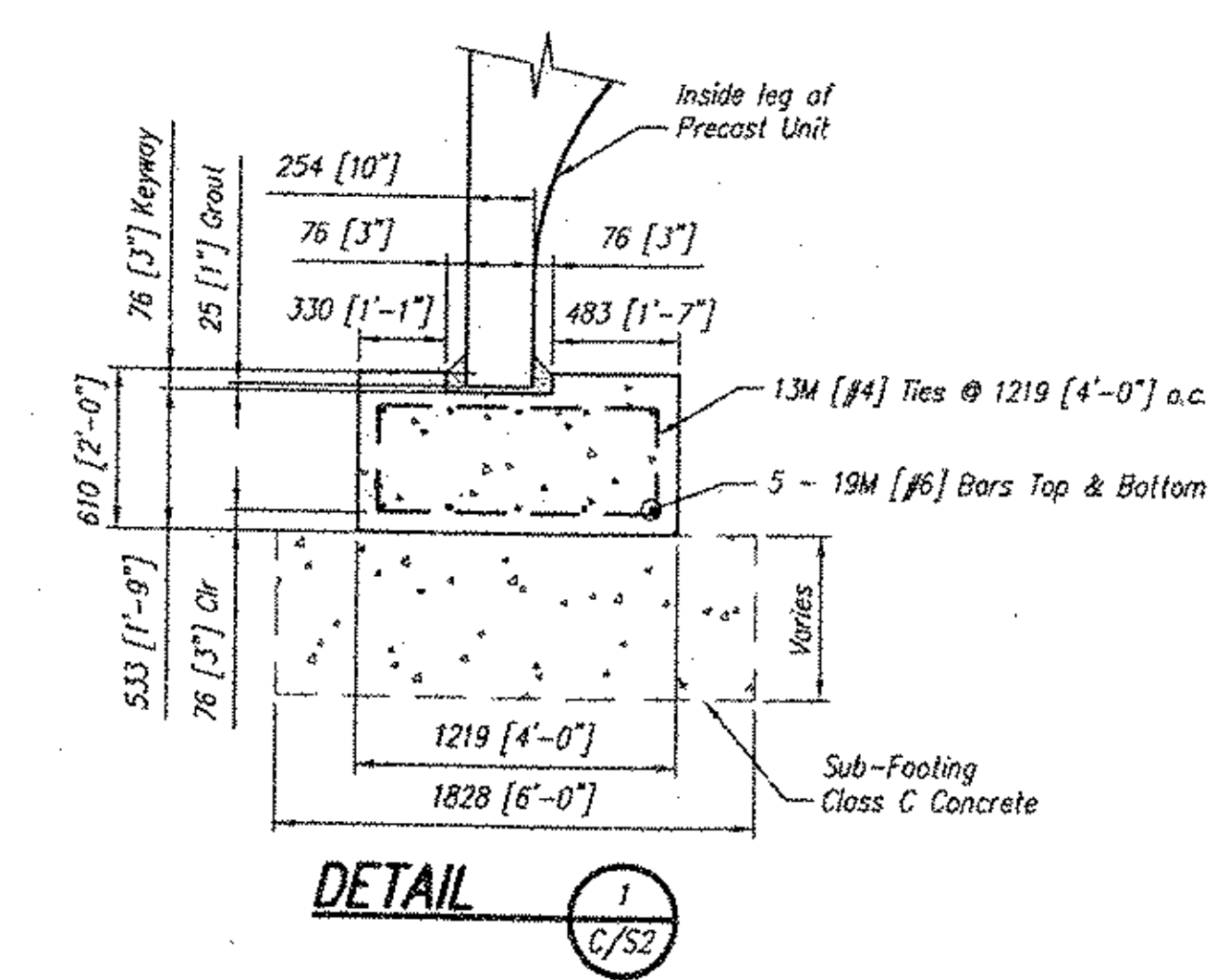


RECEIVED
 CK'D BY _____ OK'D BY _____
 JUN 25 2004
 RESUBMIT _____ APPROVED _____
 BY *RHW* DATE 6-28-04

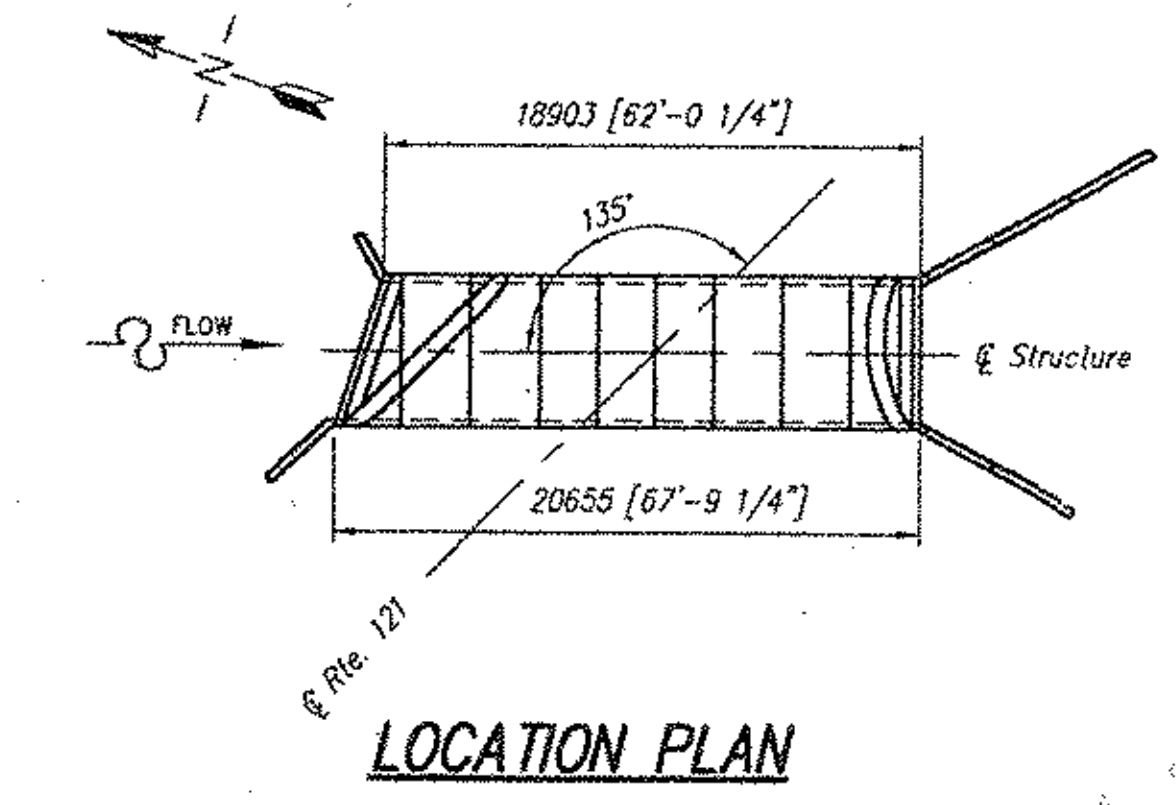
FOUNDATION PLAN



SECTION A



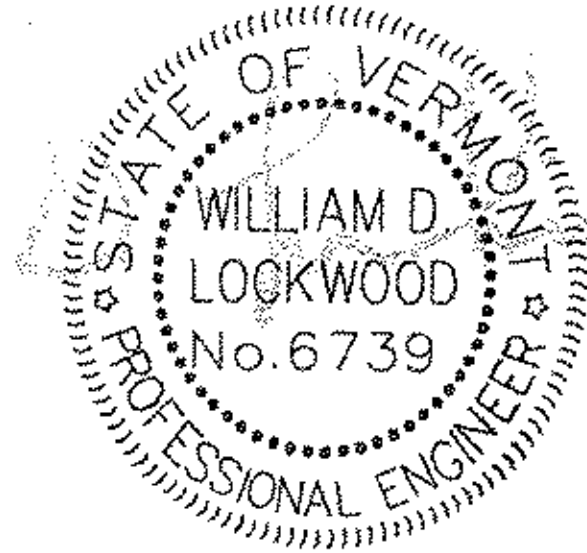
DETAIL 1



LOCATION PLAN

Note: All Metric dimensions are given in millimeters and all elevations are given in meters unless noted otherwise.

Note:
 Lap (914) [3'-0"] 19M (#6) Longitudinal Bars in Wingwall and Bridge Footings to make continuous



OSI

NOTICE: The design and information shown on this drawing is provided as a service to the project owner, engineer and contractor by CONIBRAN® Bridge Systems Ltd. No part of this drawing may be used, reproduced, or modified in any way without the written consent of CONIBRAN® Bridge Systems Ltd. Any such use, reproduction, or modification of this drawing is prohibited. CONIBRAN® Bridge Systems Ltd. does not accept any liability for design based on inaccurate information supplied by others. CONIBRAN® Bridge Systems Ltd. does not accept any liability for design based on inaccurate information supplied by others. The CONIBRAN® Bridge System is produced by one or more patents, patents pending and trademarks.

1	6/22/04	
2		
3		
4		
5		
6		
7		

Provided Locally by:
CONCRETE SYSTEMS, INC.
 NEW ENGLAND
 800-342-3374

CONIBRAN®
 BRIDGE SYSTEMS
 3100 Rockwell Blvd., P.O. Box 20286
 Dayton, OH 45420-0286
 (937) 535-9399
 (937) 294-2333
 (704) 548-4420
 (916) 797-9201
 (916) 371-5871

VERMONT
VT. RTE. 121
BRIDGE NO: 7

Design	KJG	CS/Project No.
Drawn	JLL	11415
Checked	JVP	Sheet No.
Date	6/18/04	C/S2