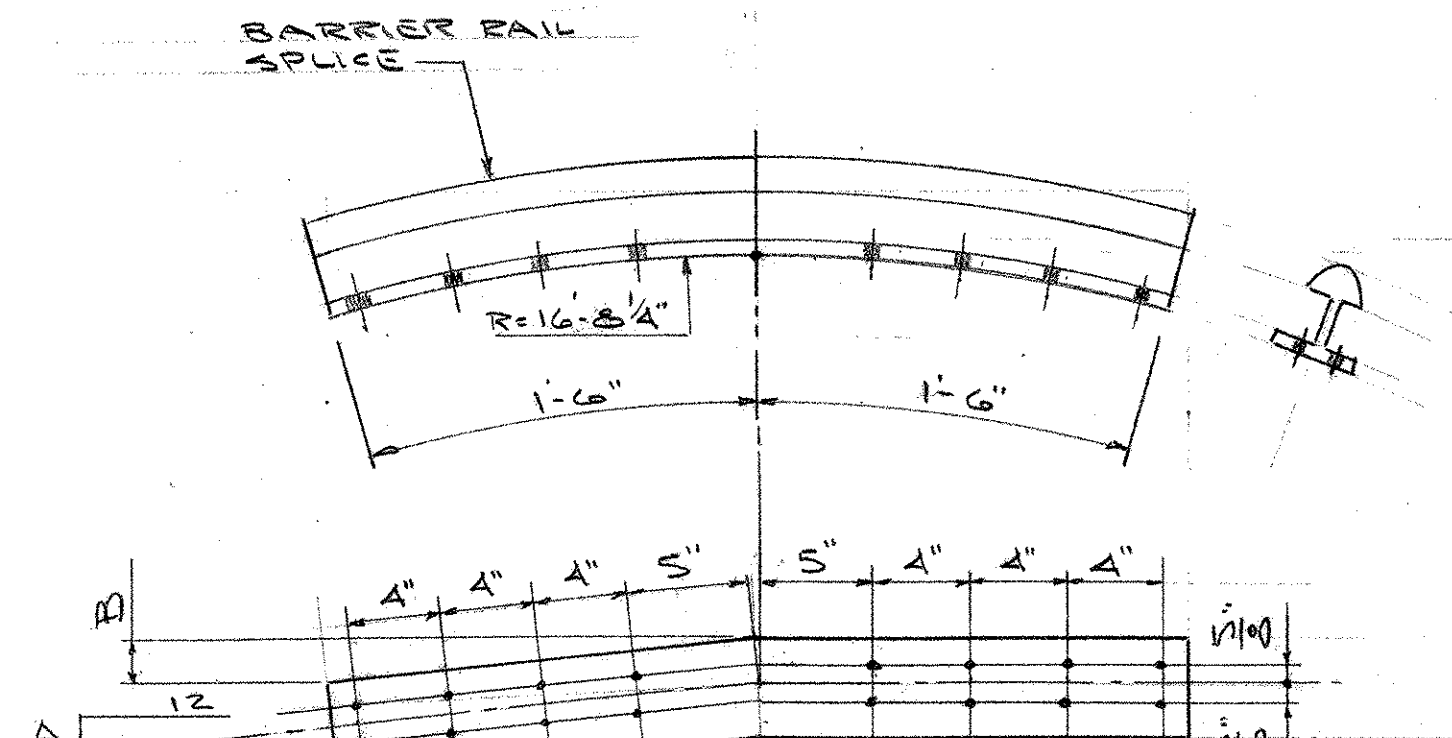
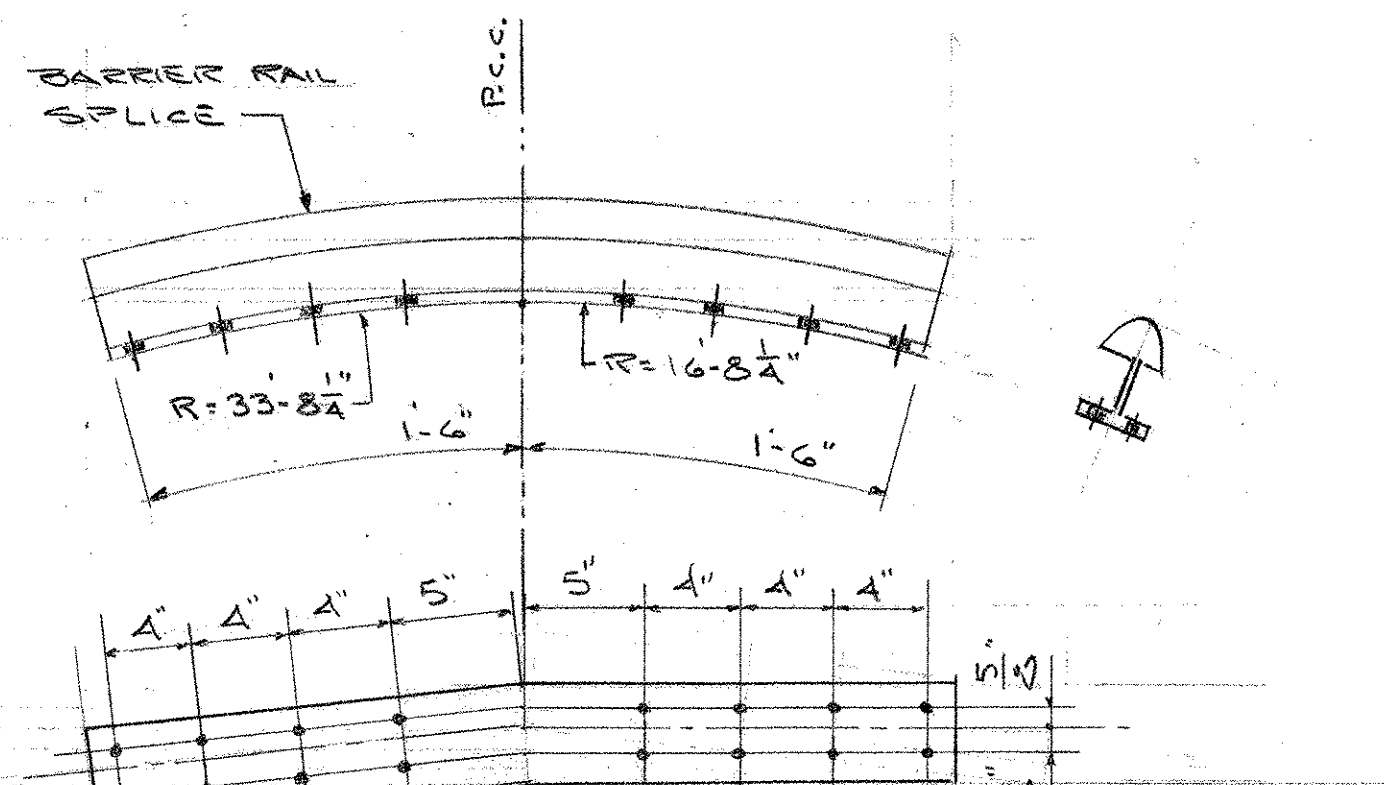


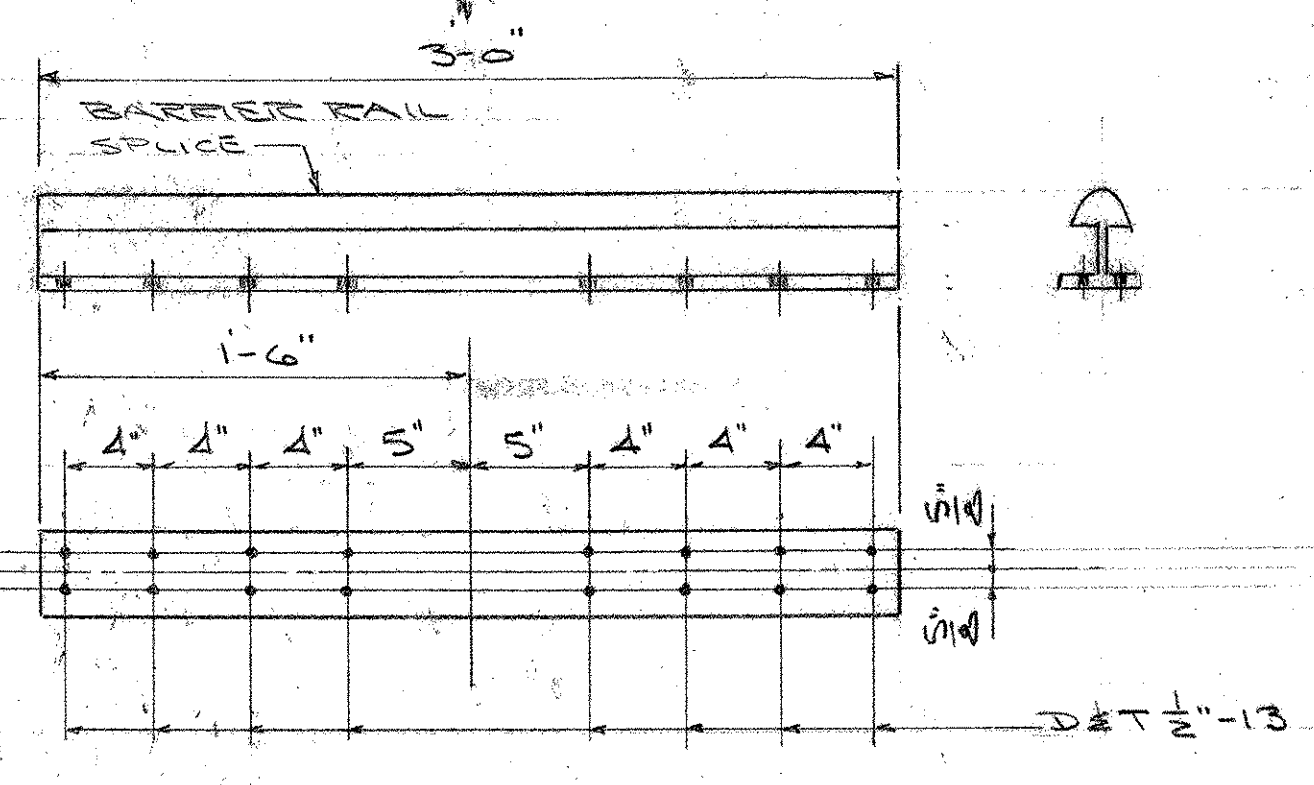
	MK	QUAN	A	B
TOP	T6	1	3/16"	7/16"
BOT	T7	1	1/16"	1/8"



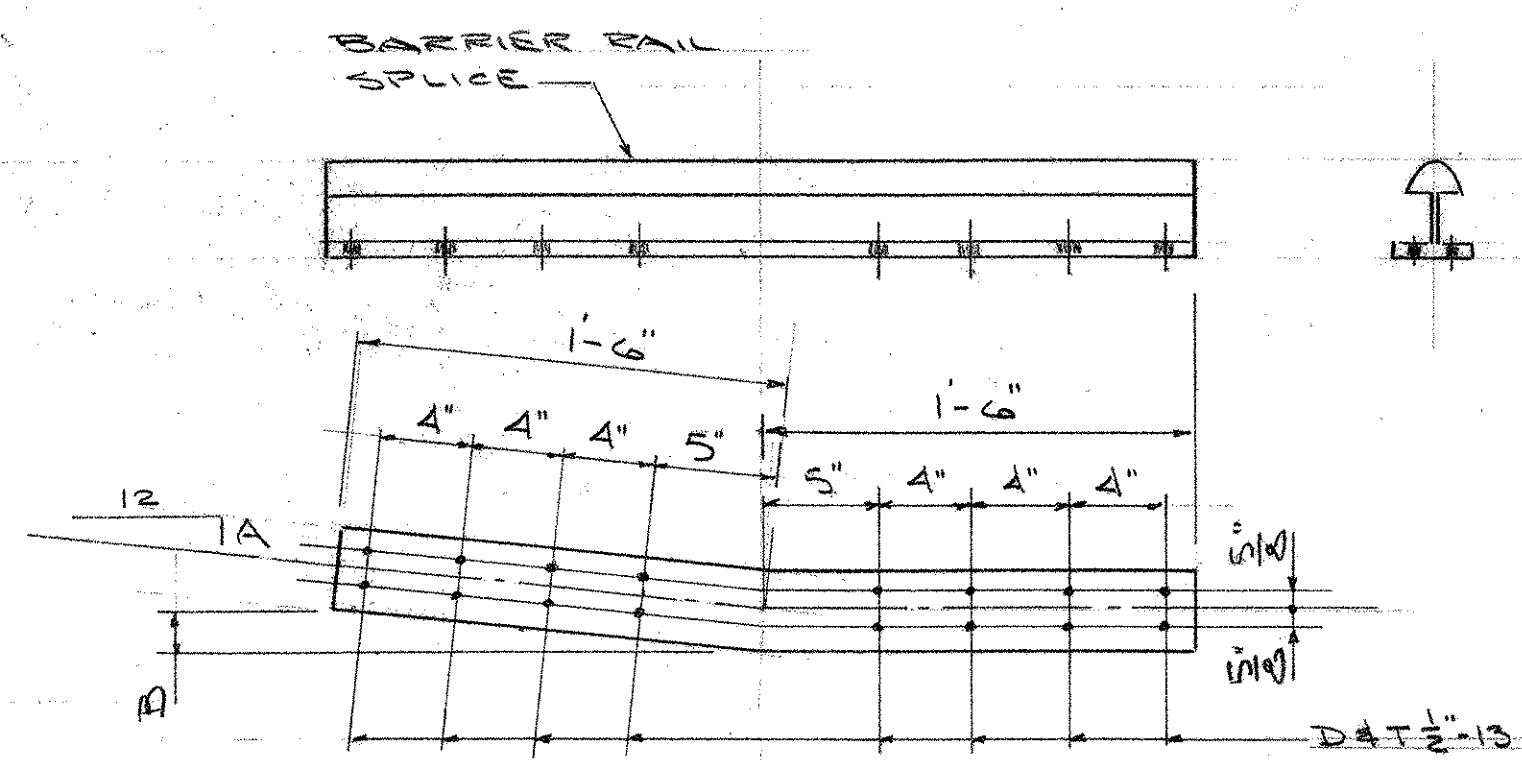
	MK	QUAN	A	B
TOP	T8	1	5/16"	7/16"
BOT	T9	1	1/16"	1/8"



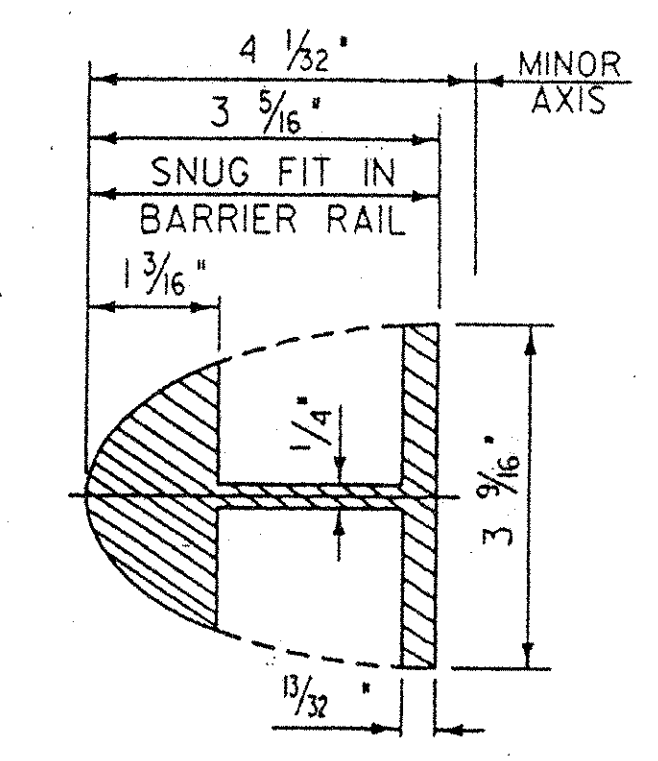
	MK	QUAN	A	B
TOP	T10	1	3/16"	13/16"
BOT	T11	1	3/16"	7/16"



T1 (2-REQ)



	MK	QUAN	A	B
TOP	T2	1	1/2"	3/4"
BOT	T3	1	5/16"	7/16"
TOP	T4	1	1/2"	3/4"
BOT	T5	1	5/16"	7/16"



BARRIER RAIL SPLICE SECTION

RECEIVED
 OK'D BY: 8-30-04
 AUG 25 2004
 RESUBMIT: _____ APPROVED: X
 BY: _____ DATE: _____

		AUCIELLO IRON WORKS INC 560 MAIN ST. HUDSON, MA (978) 568-8382	
		VT. AGENCY OF TRANSPORTATION ROCKINGHAM #TH2-5103 TH.2 OVER BEAVER BROOK	
ALUM. BRIDGE & APPROACH RAILING		SURFACE PREP: NONE FINISH: MILL FINISH	
FOR: F.R. LAFAYETTE, INC.		DR: WA 8-11-04 DWG NO: CHK: S 8-18-04 BR-7836	
1	8-19-04	FOR APPROVAL	BY: <u>WA</u>
ISSUE	DATE	DESCRIPTION	BY