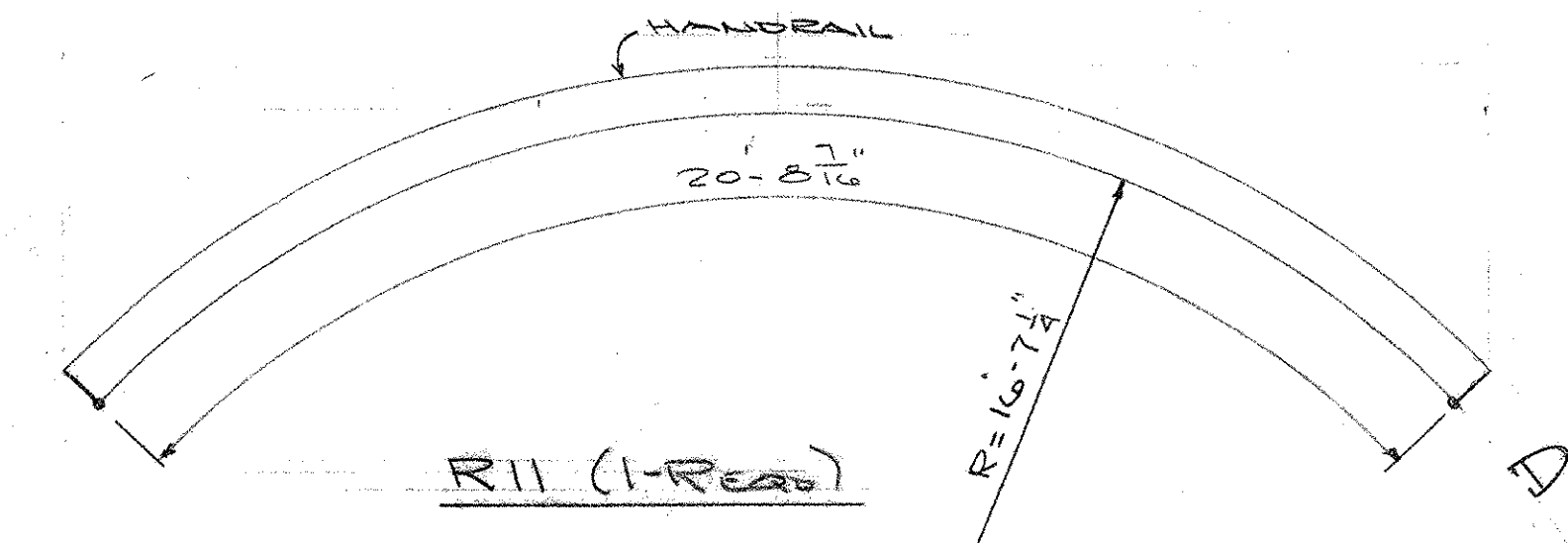
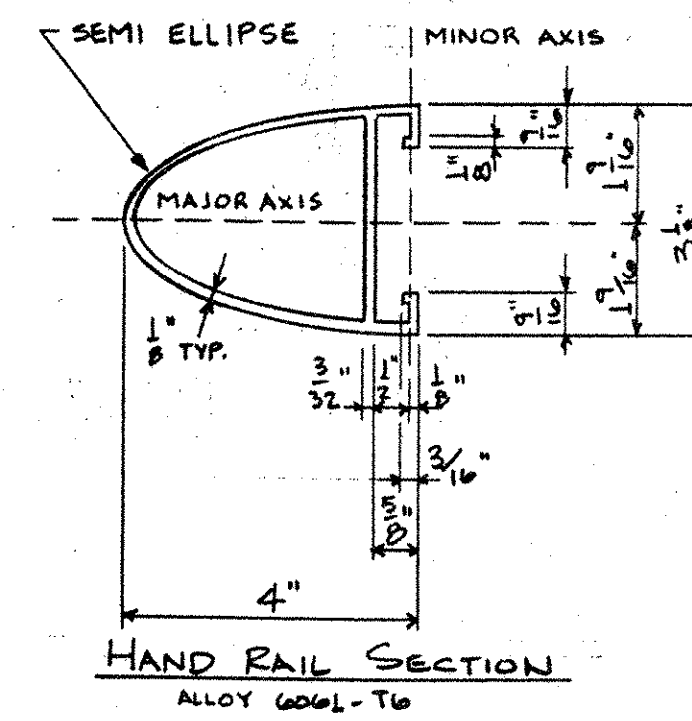
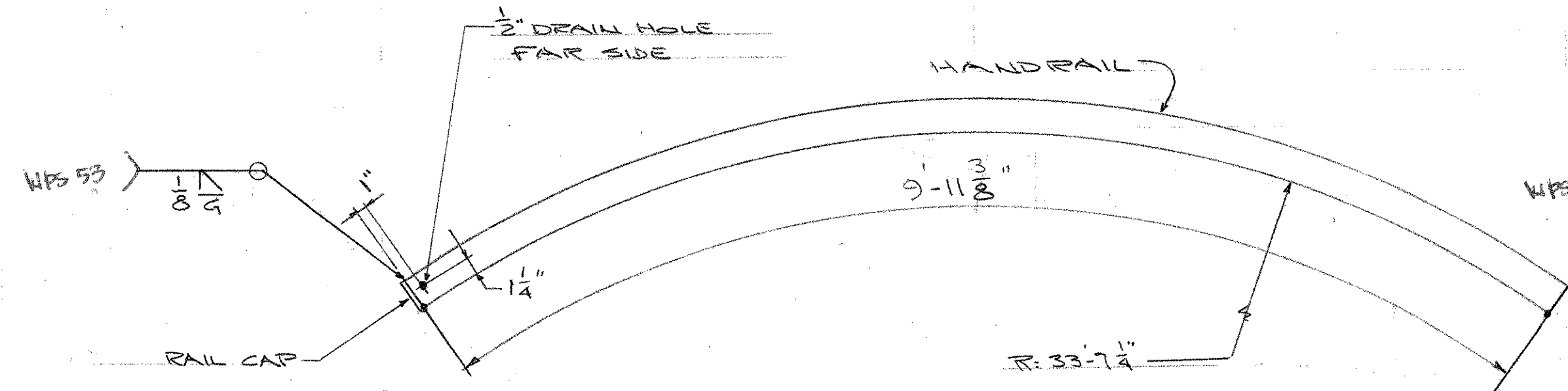


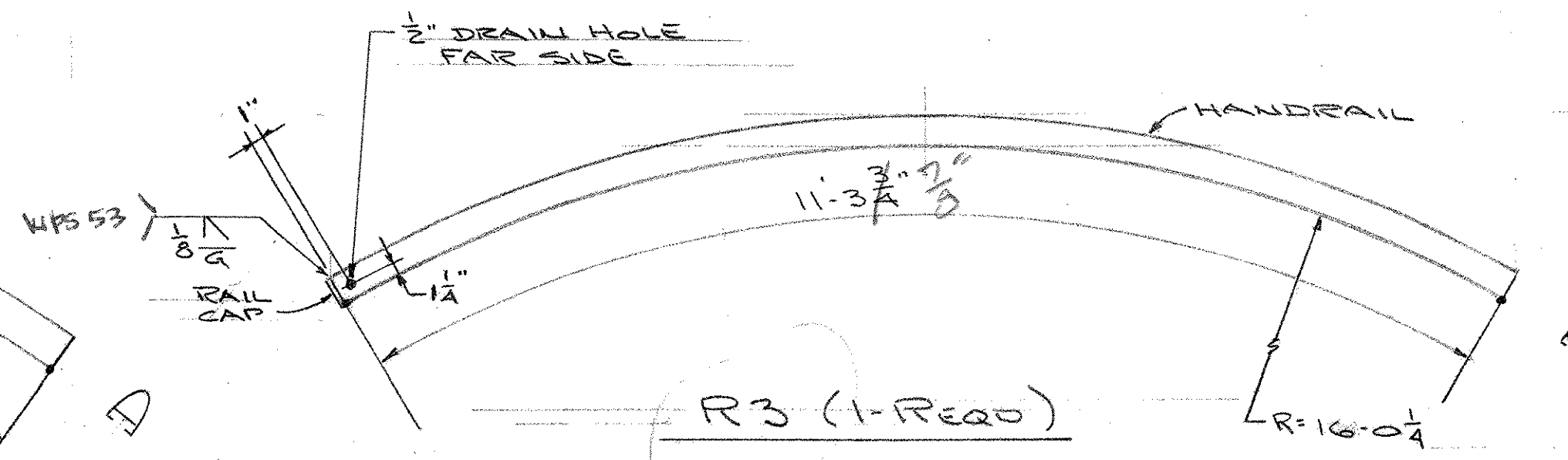
R10 (1-Read)



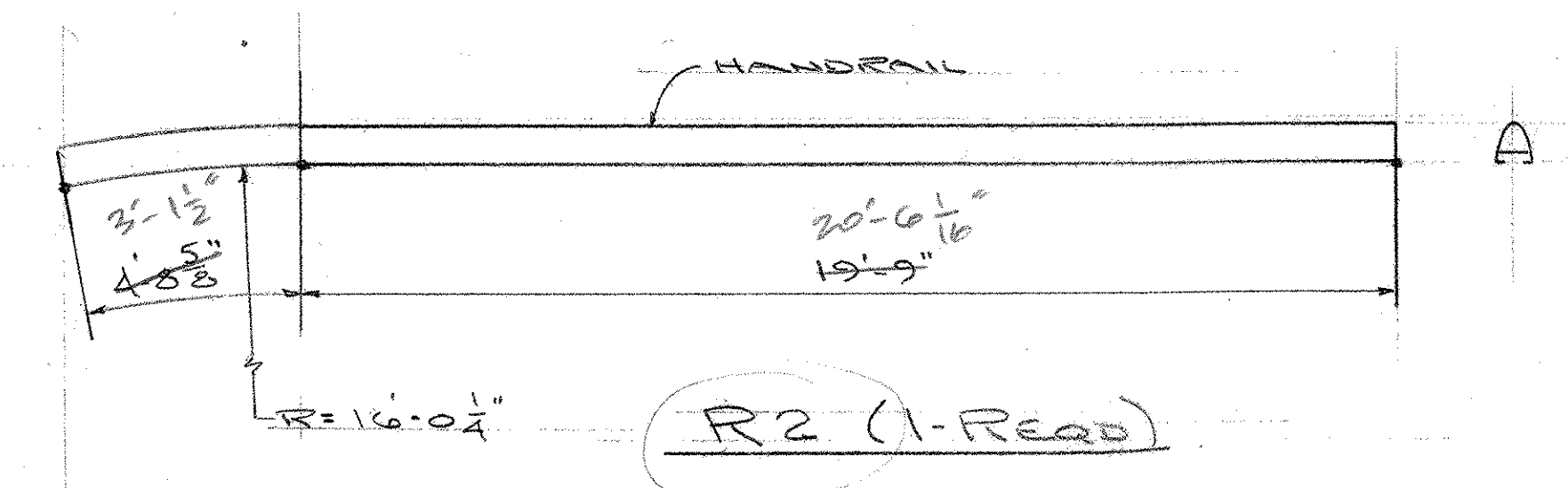
R11 (1-Read)



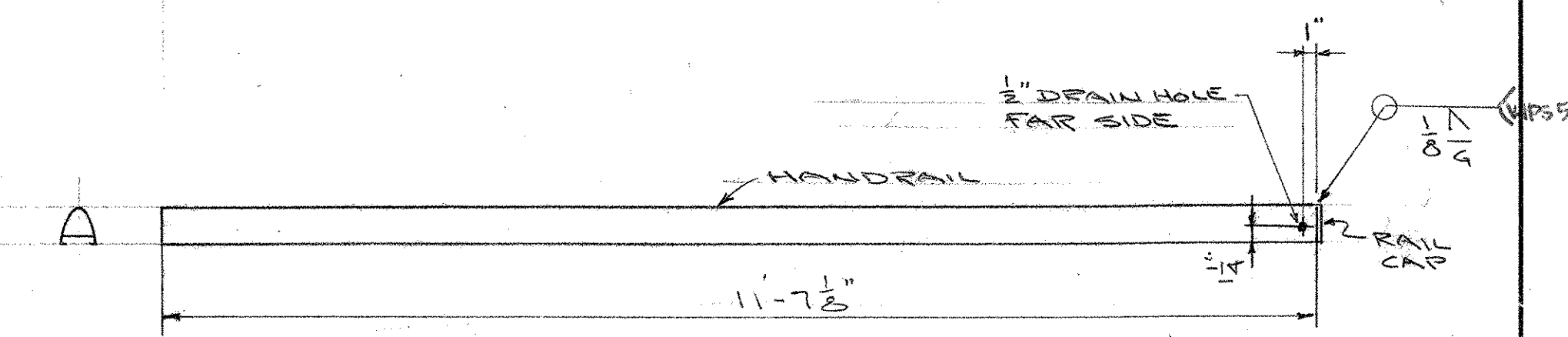
R12 (1-Read)



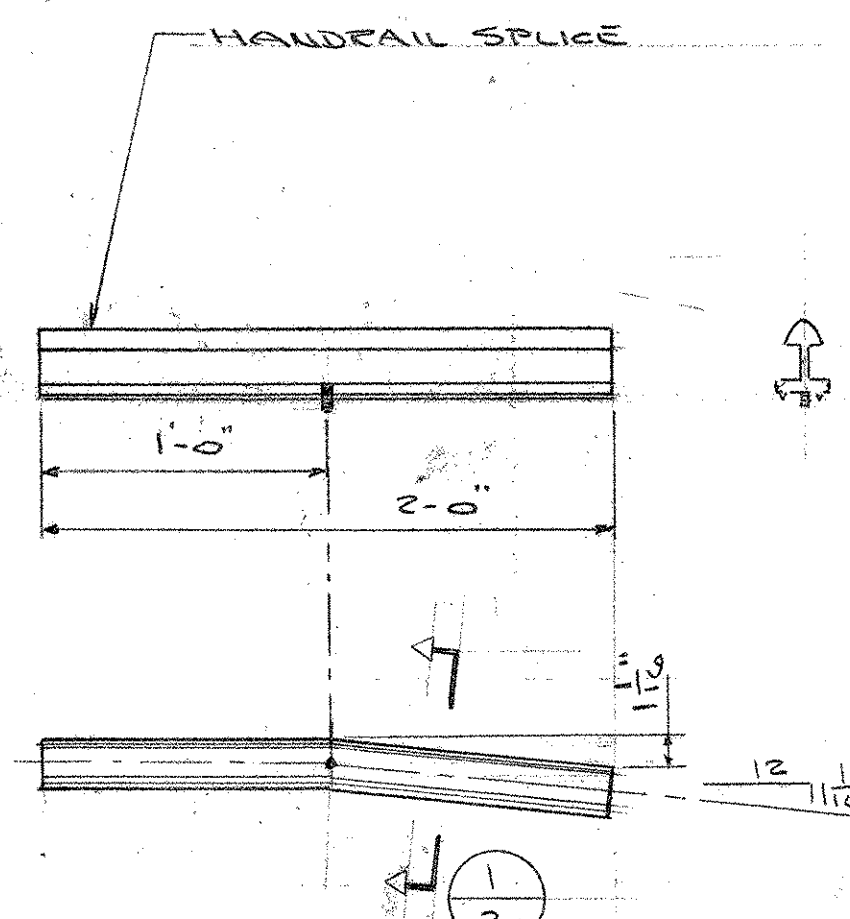
R3 (1-Read)



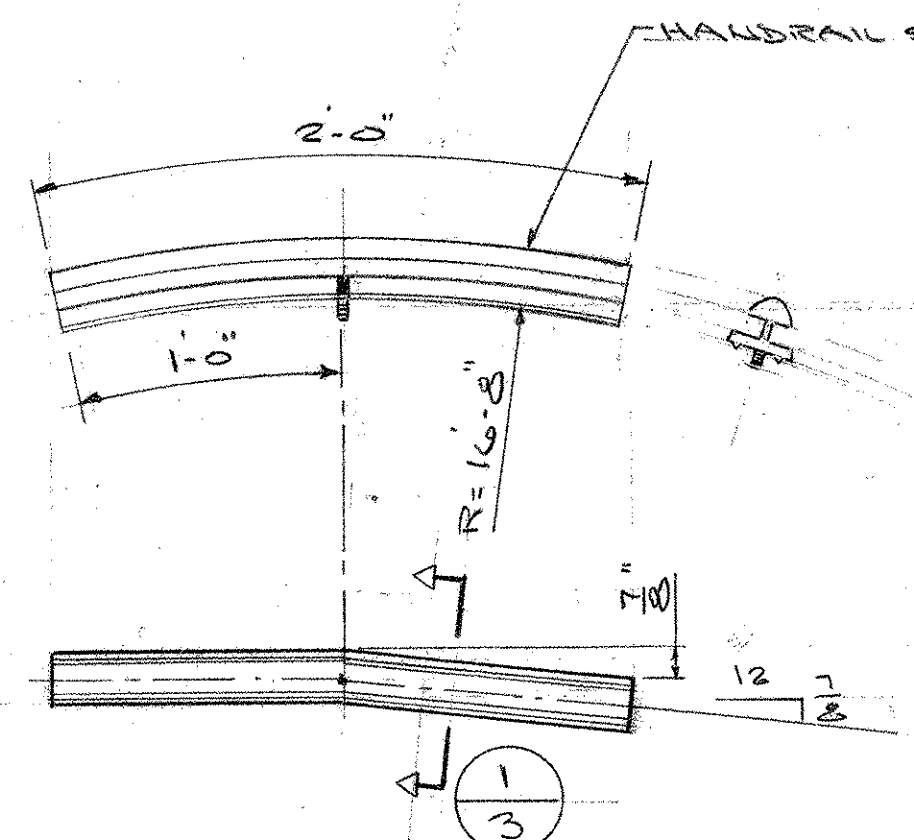
R2 (1-Read)



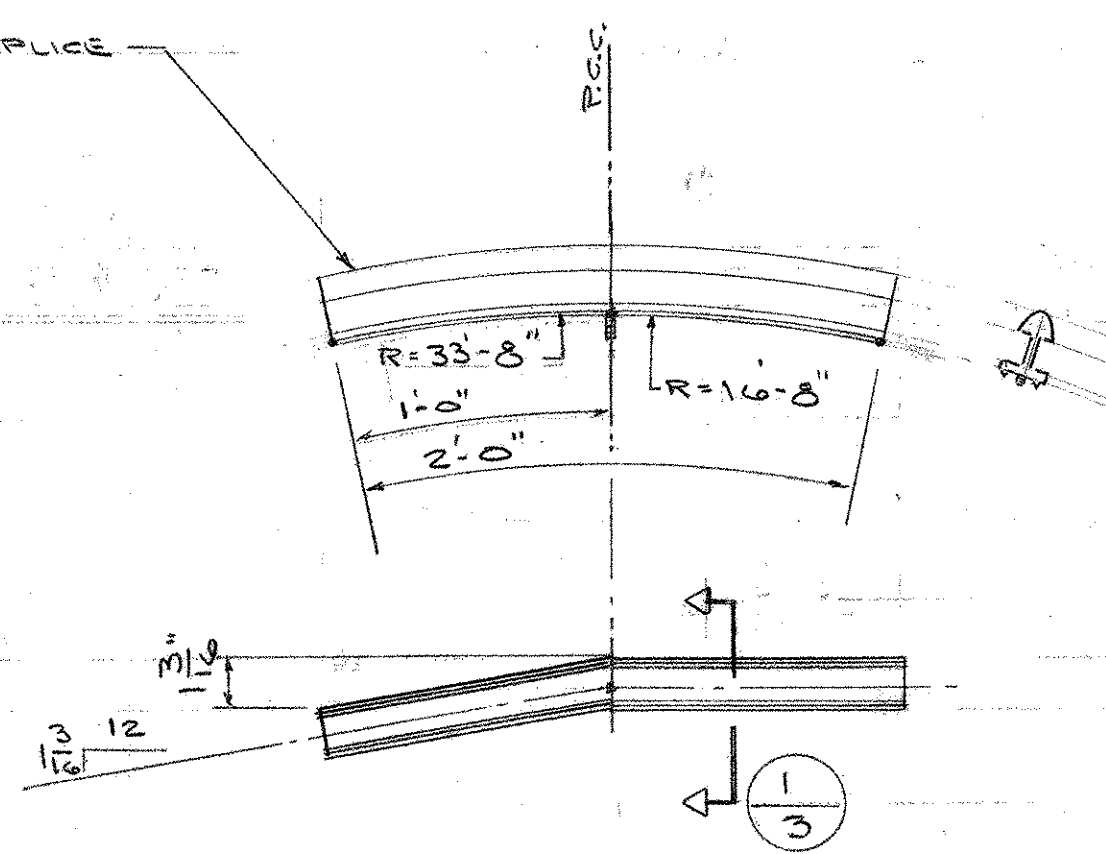
R1 (1-Read)



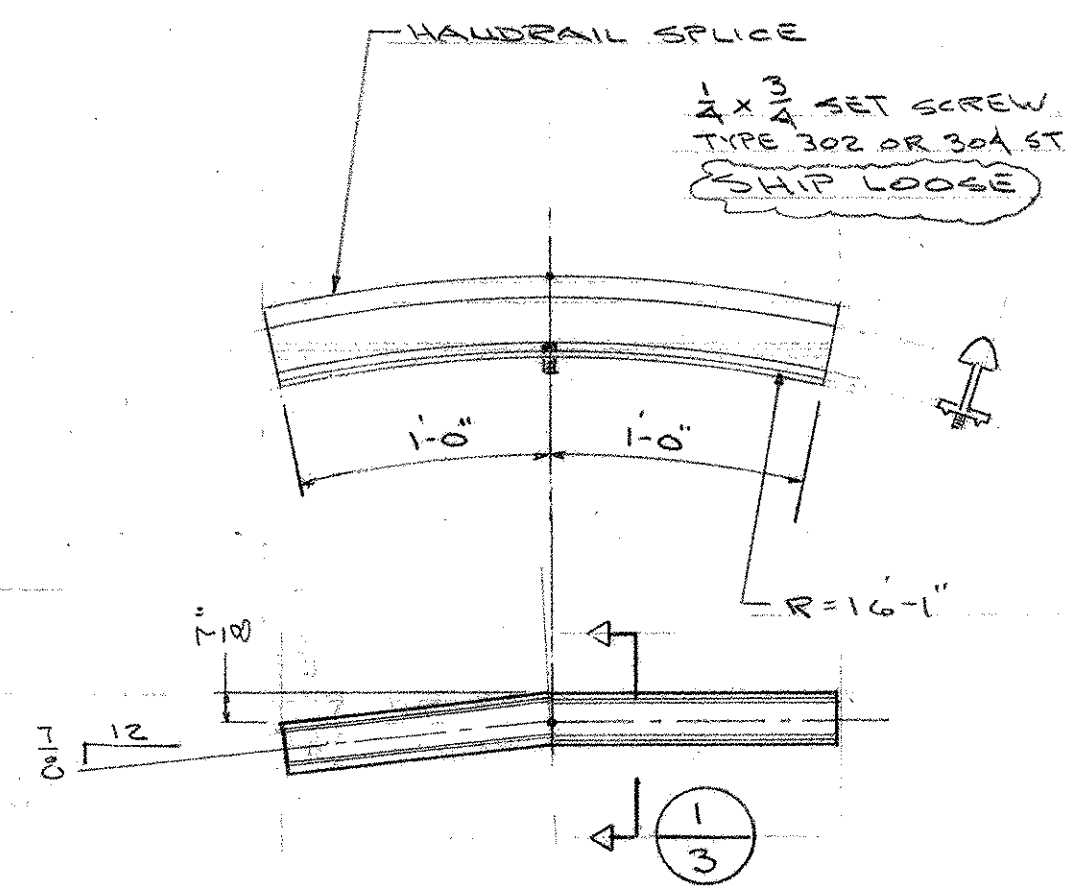
H1 (1-Read)



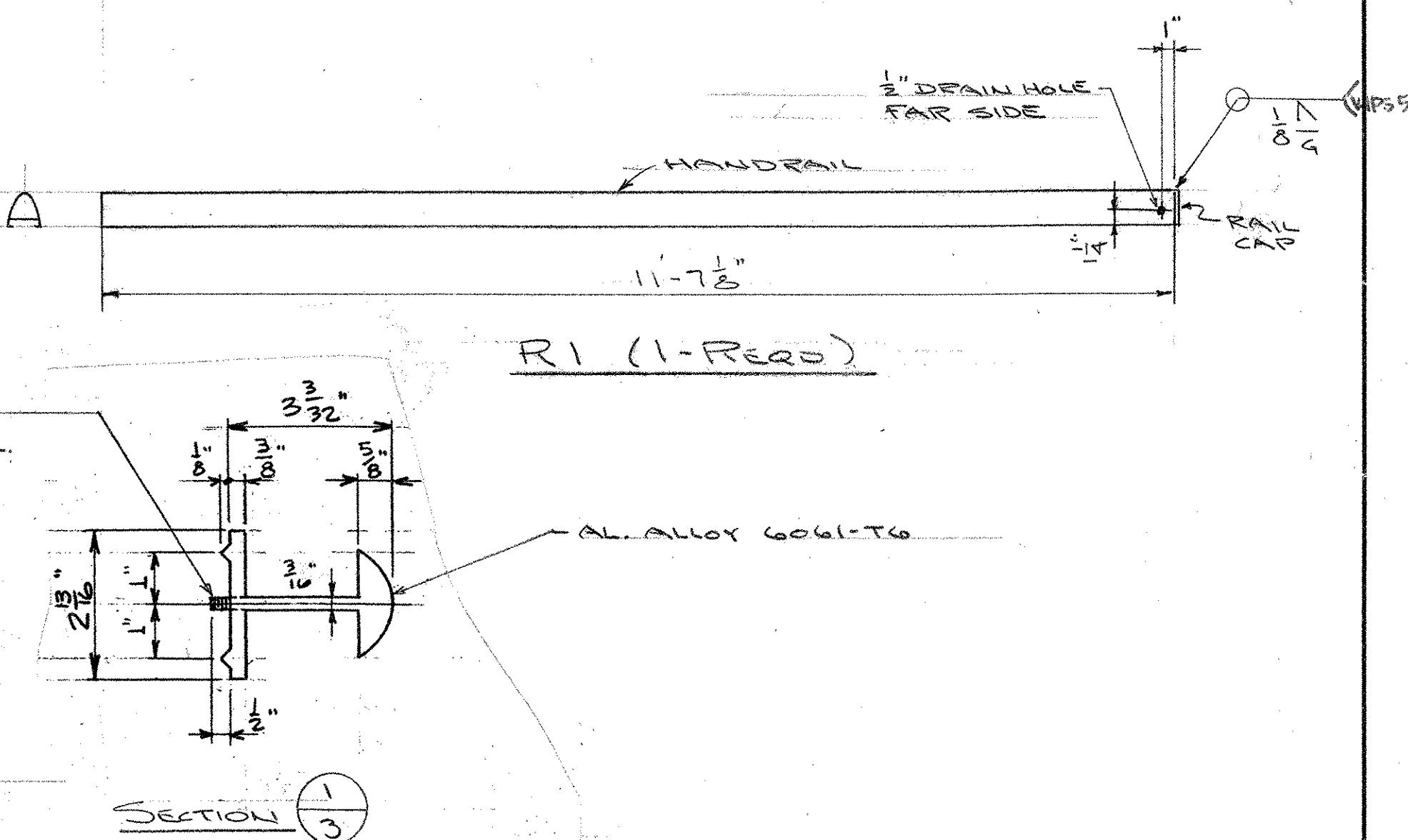
H3 (1-Read)



H4 (1-Read)



H2 (1-Read)



SECTION 1/3

RECEIVED  
 CK'D BY CL OK'D BY \_\_\_\_\_  
 8 20 04  
 AUG 25 2004  
 RESUBMIT \_\_\_\_\_ APPROVED AS SHOWN  
 BY \_\_\_\_\_ DATE \_\_\_\_\_

1		8-9-04	FOR APPROVAL	BY <u>AP</u>
ISSUE	DATE	DESCRIPTION	BY	

**AUCIELLO IRON WORKS INC**  
 560 MAIN ST. HUDSON, MA (978) 568-8382

VT. AGENCY OF TRANSPORTATION  
 ROCKINGHAM #TH2-9103  
 T.H. 2 OVER BEAVER BROOK

ALUM. BRIDGE & APPROACH RAILING

SURFACE PREP: NONE FINISH: MILL FINISH

FOR: FR. LAFAYETTE, INC.

DR. W.M. 8-10-04 DWG. NO. BR-2836  
 CHK. B. 8-18-04  
 JOB NO. AB20019-1001 SHEET 3 OF 7