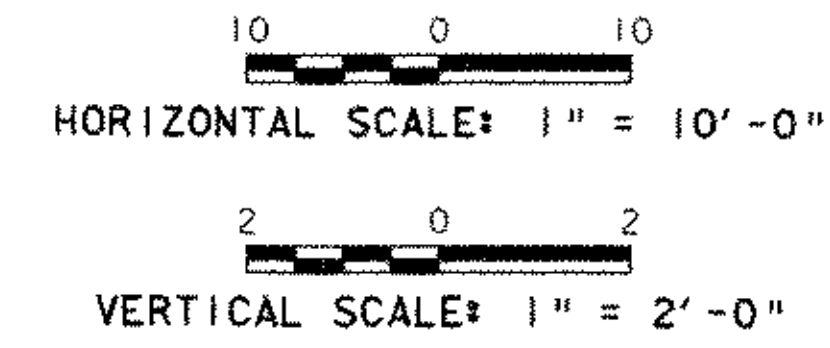
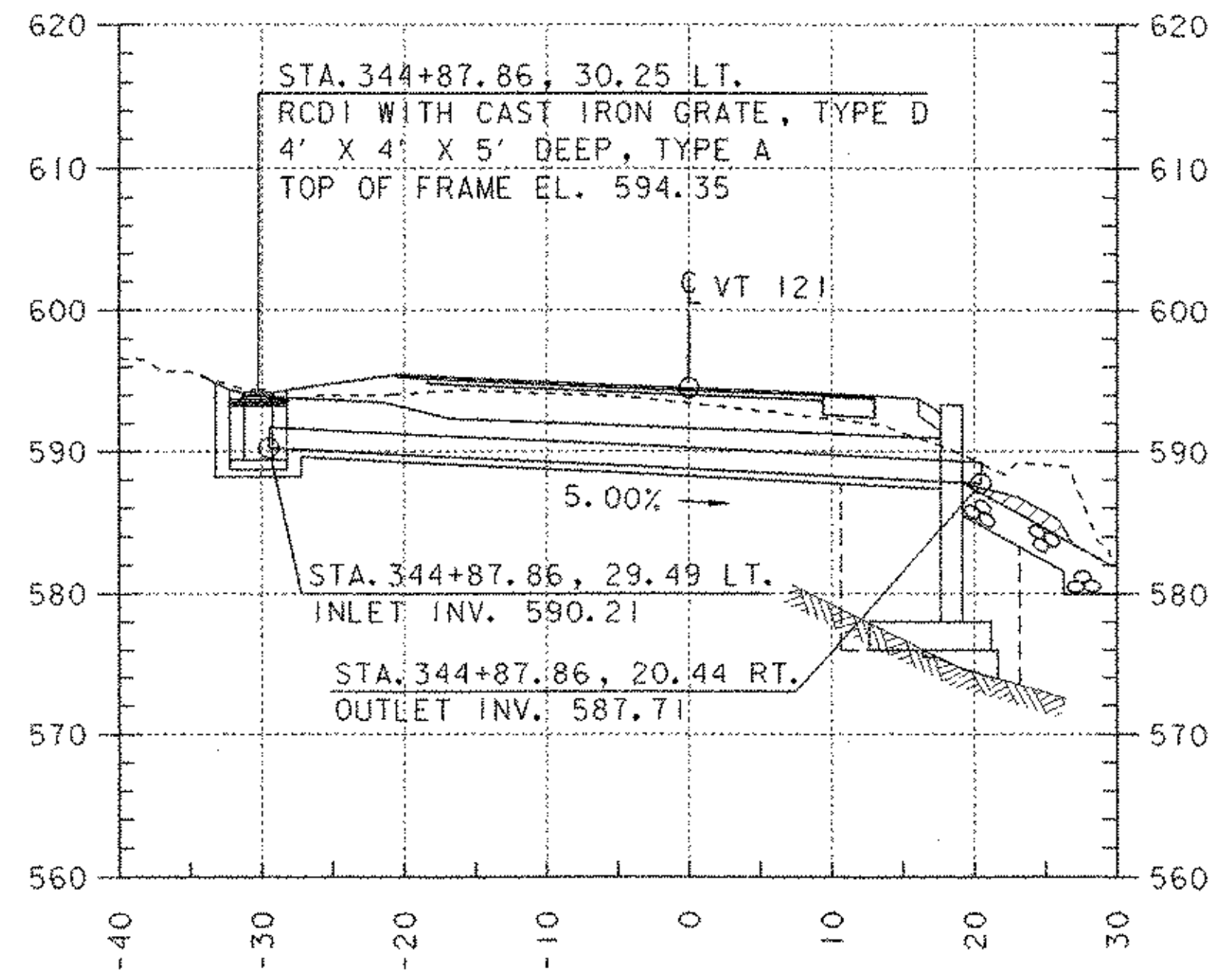


MATERIAL TRANSITION DETAIL

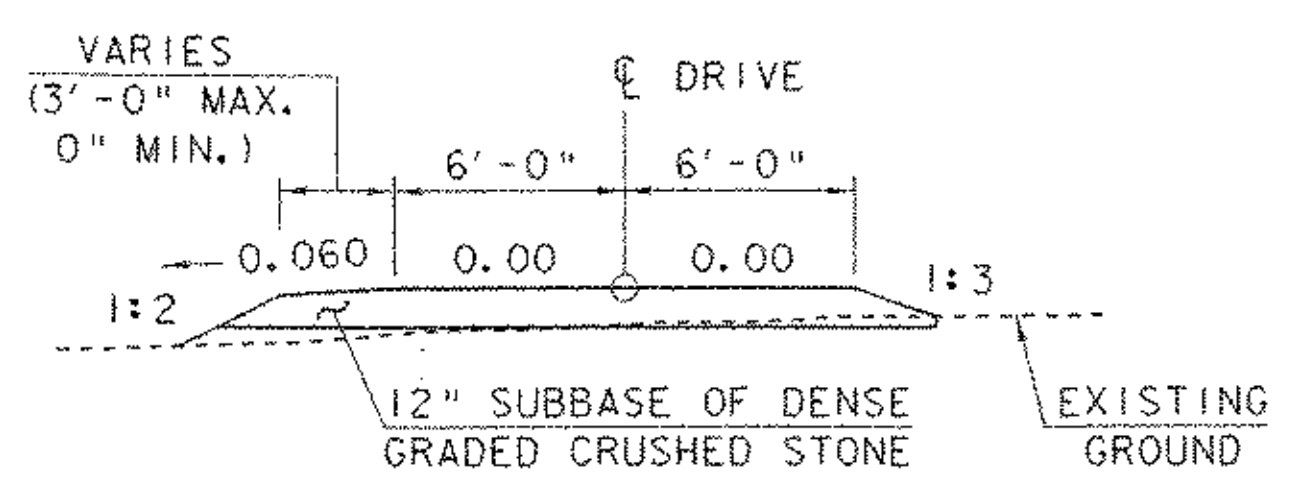


NOTES:

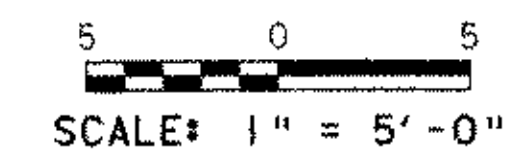
1. SEE MAINLINE CROSS SECTIONS TO DETERMINE CUT OR FILL.
2. SEE SHEET 5 OF THE PLANS FOR ADDITIONAL ABUTMENT EARTHWORK DETAILS.
3. SEE APPROACH SLAB END DETAIL ON SHEET 19 OF THE PLANS FOR PAVEMENT DETAILS AT THE END OF APPROACH SLABS.



NEW 18" X 50' CULVERT PROFILE
STA. 344+87.86 LT. - STA. 344+87.86 RT.



DRIVE TYPICAL SECTION
STA. 344+47.75 RT.



ADDITIONAL ROADWAY DETAILS

PROJECT NAME:	ROCKINGHAM	FILE NAME:	90c053\structures\sc053ord.i	PLOT DATE:	20-MAR-2003
PROJECT NUMBER:	TH2 - 9103	PROJECT MANAGER:	R. R. WHITCOMB	DRAWN BY:	G. ROY
		DESIGNED BY:	G. ROY	CHECKED BY:	R. WHITCOMB
				SHEET	(32) OF 38