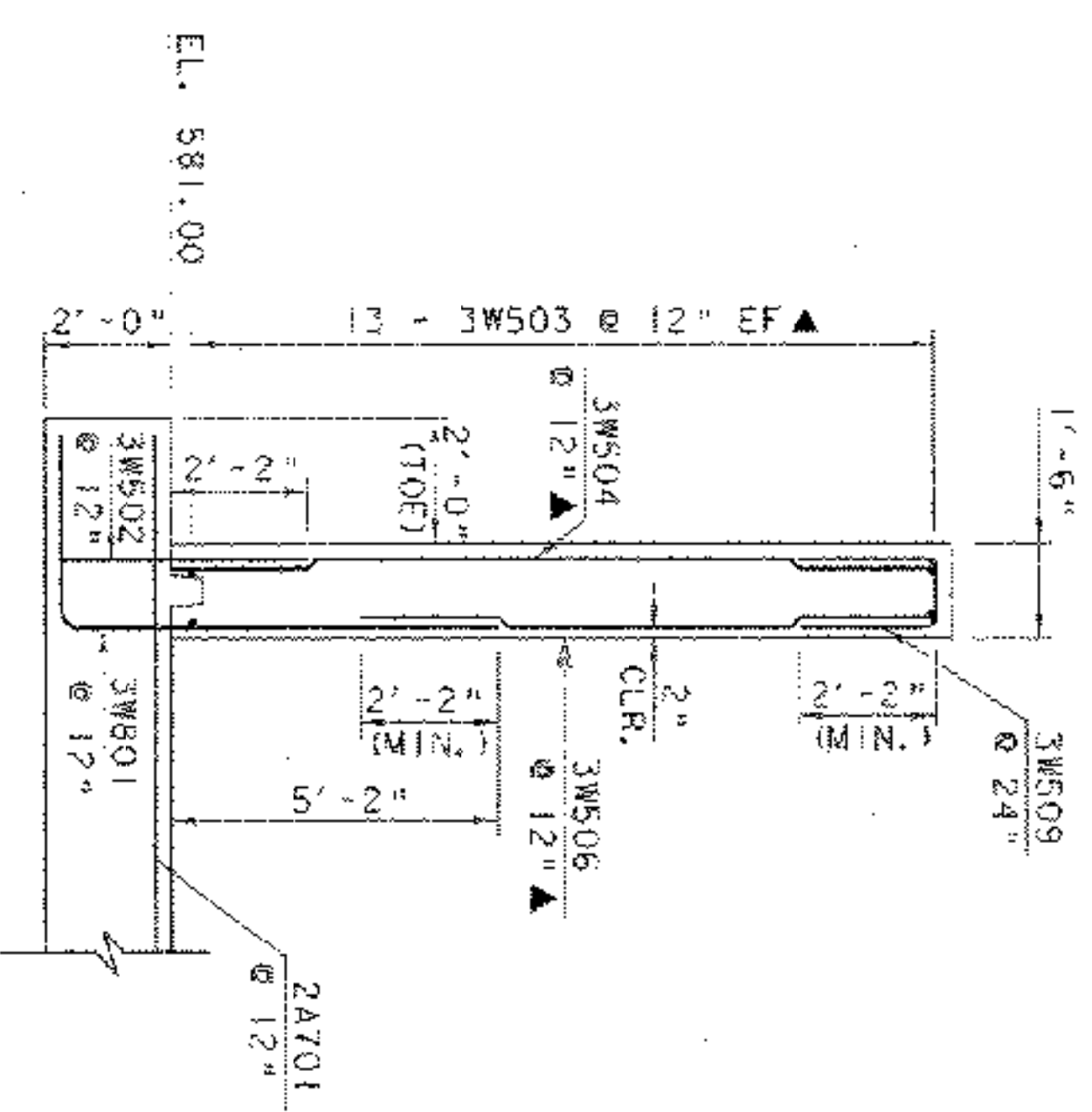


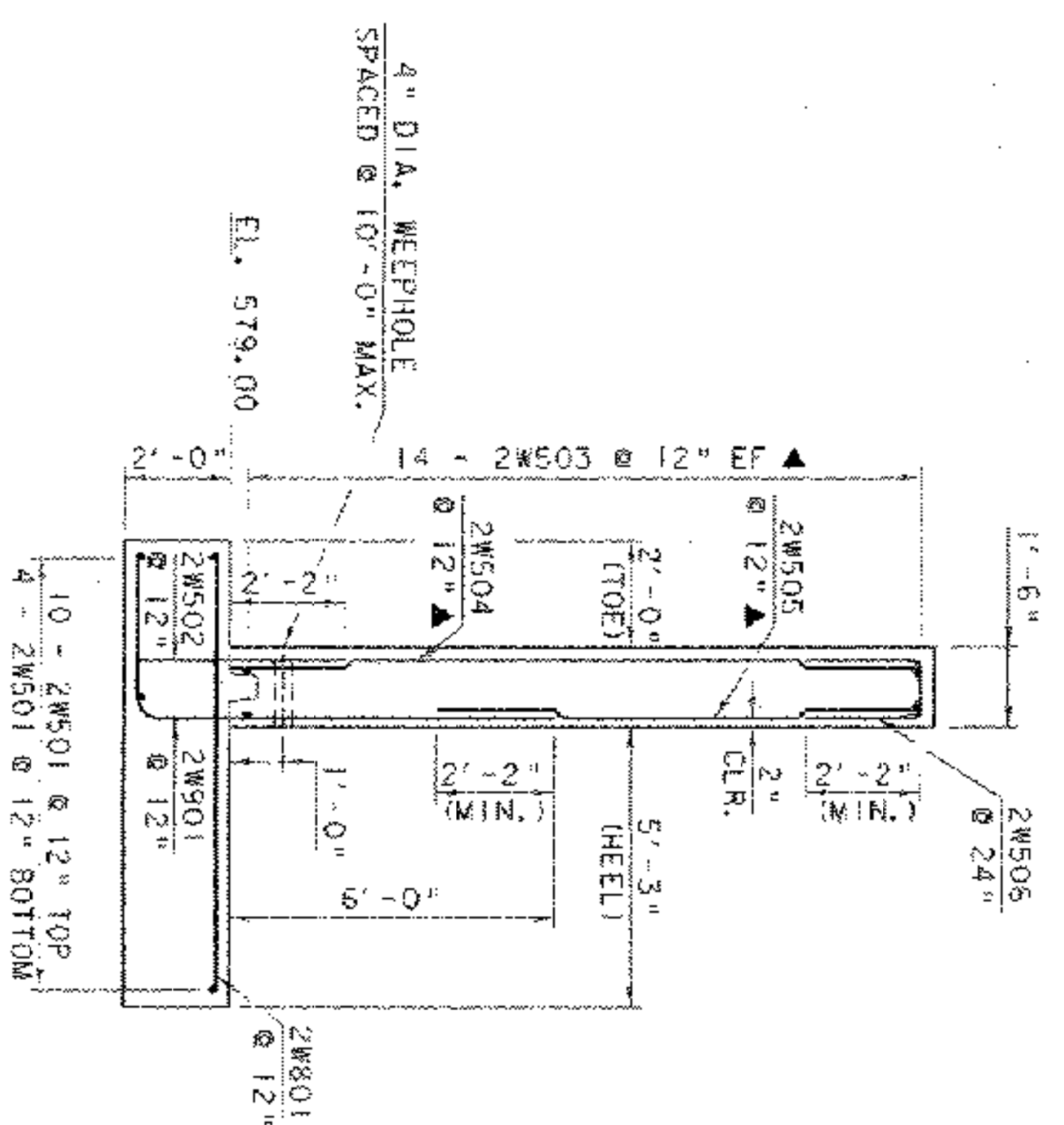
WINGWALL NO. 1 TYPICAL

SCALE: 3/8" = 1'-0"



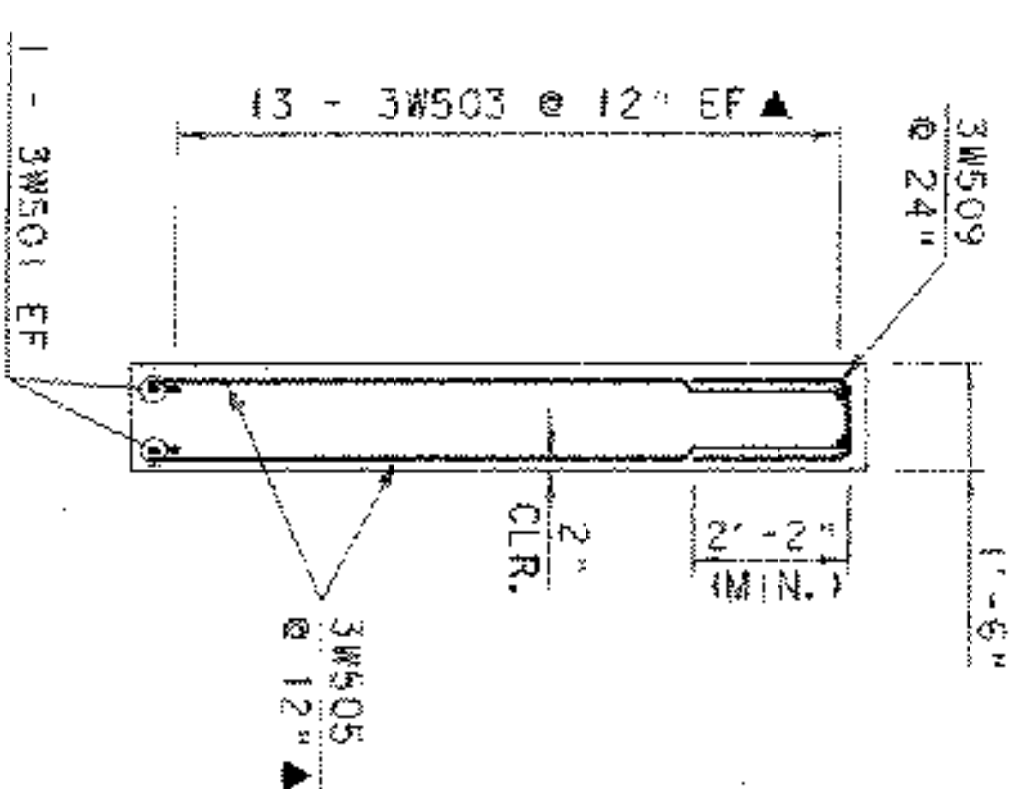
WINGWALL NO. 3A TYPICAL

SCALE: 3/8" = 1'-0"



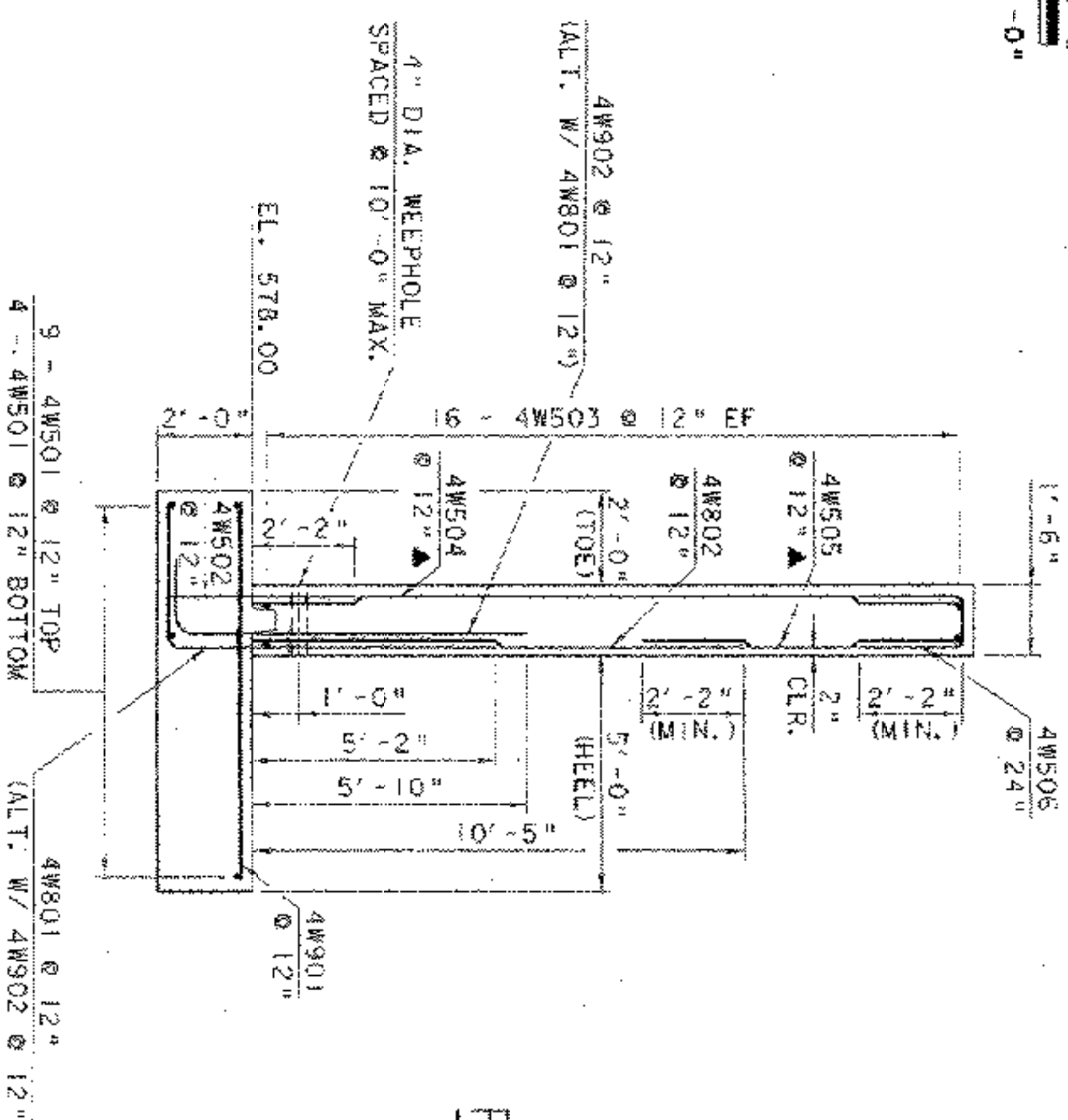
WINGWALL NO. 2 TYPICAL

SCALE: 3/8" = 1'-0"



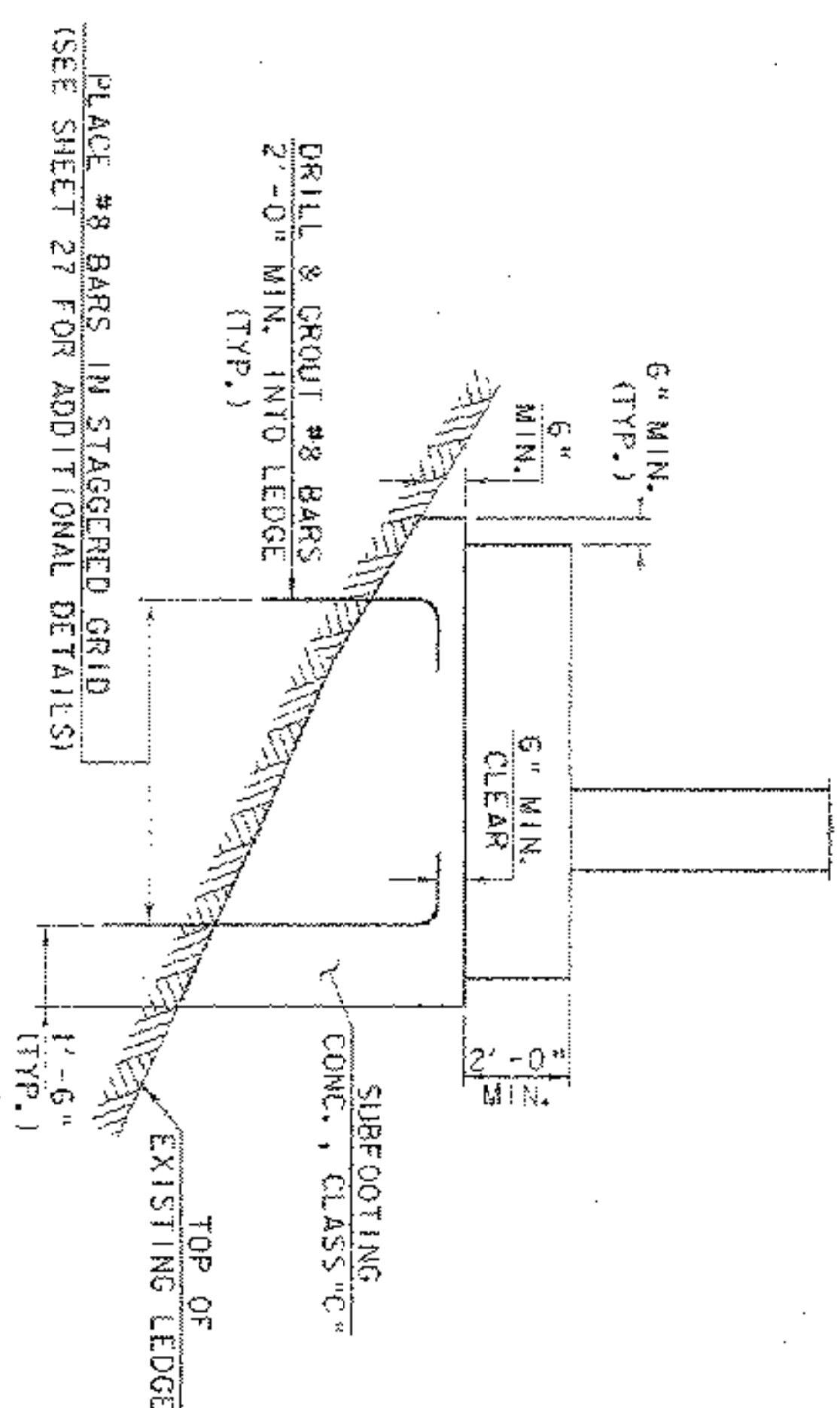
WINGWALL NO. 3B TYPICAL

SCALE: 3/8" = 1'-0"



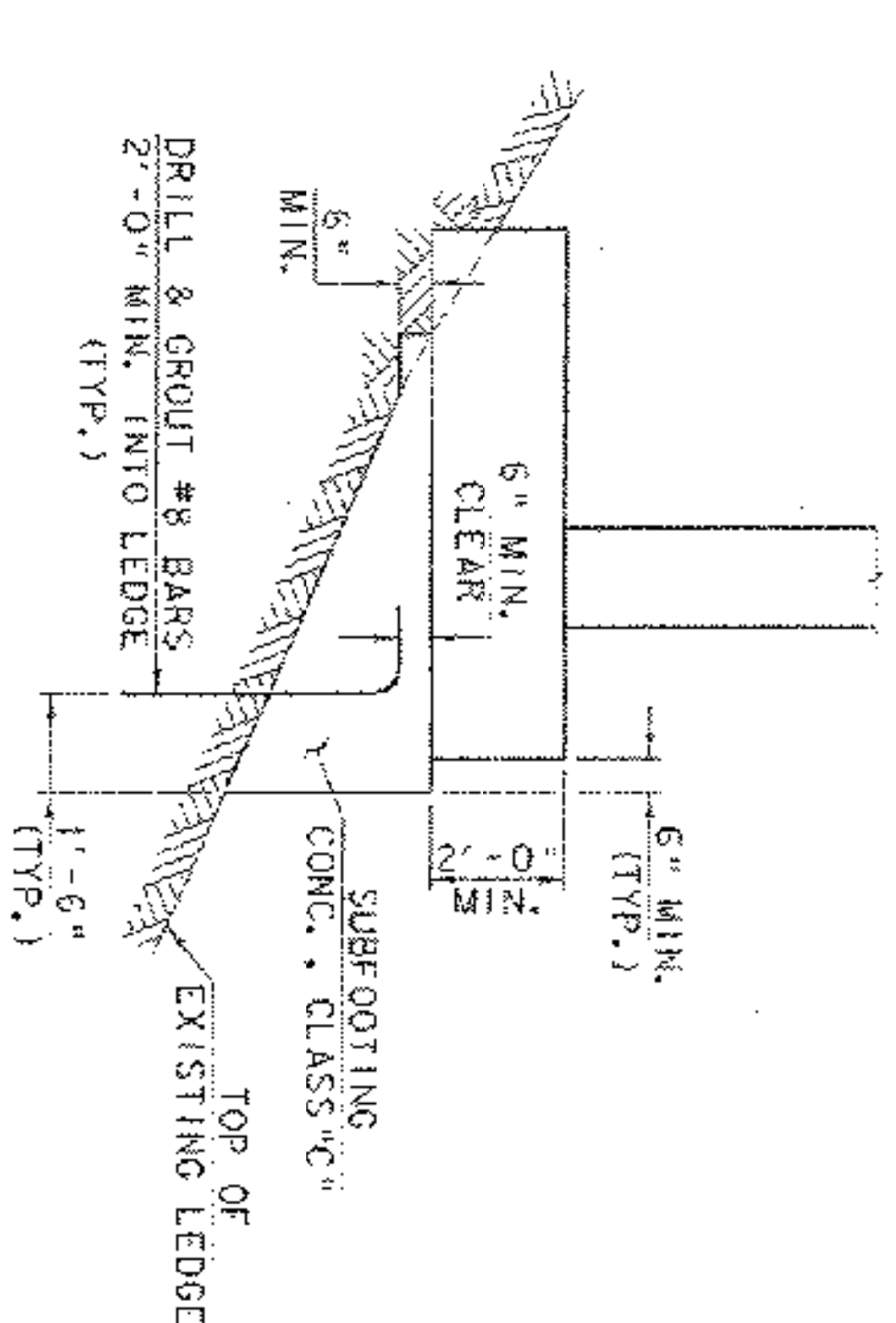
WINGWALL NO. 4

SCALE: 3/8" = 1'-0"



FULL WIDTH SUBFOOTING

SCALE: 3/8" = 1'-0"



PARTIAL WIDTH SUBFOOTING

SCALE: 3/8" = 1'-0"

NOTE:
 NF = NEAR FACE
 FF = FAR FACE
 EF = EACH FACE
 ▲ = CUT TO FIT IN FIELD
 3" CLR. UNLESS OTHERWISE NOTED

WINGWALL TYPICAL SECTIONS

CONSPAN PRECAST
 CONCRETE WING WALLS USED
 VALUE ENGINEERING
 SEE PAGES 040 TO 088.

PROJECT NAME: ROCKINGHAM
 PROJECT NUMBER: TH2 - 9103
 FILE NAME: 300053\structure\300053\w1.j
 PROJECT MANAGER: R.R. WHITCOMB
 DESIGNED BY: G. ROY
 DRAWN BY: L. BULLOCK
 CHECKED BY: G. ROY
 SHEET 26 OF 38