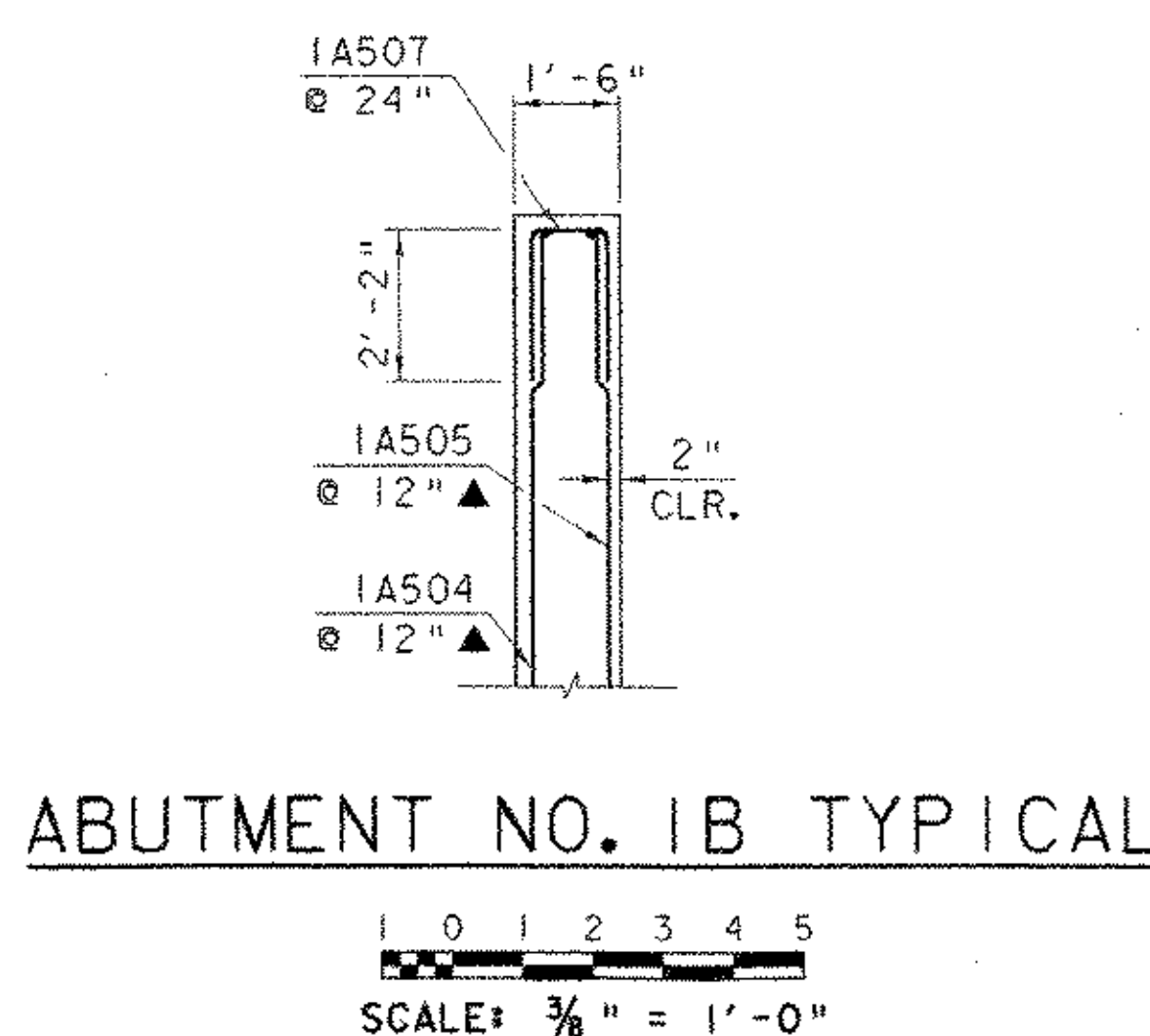
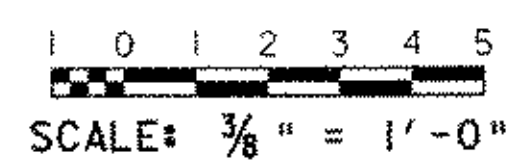
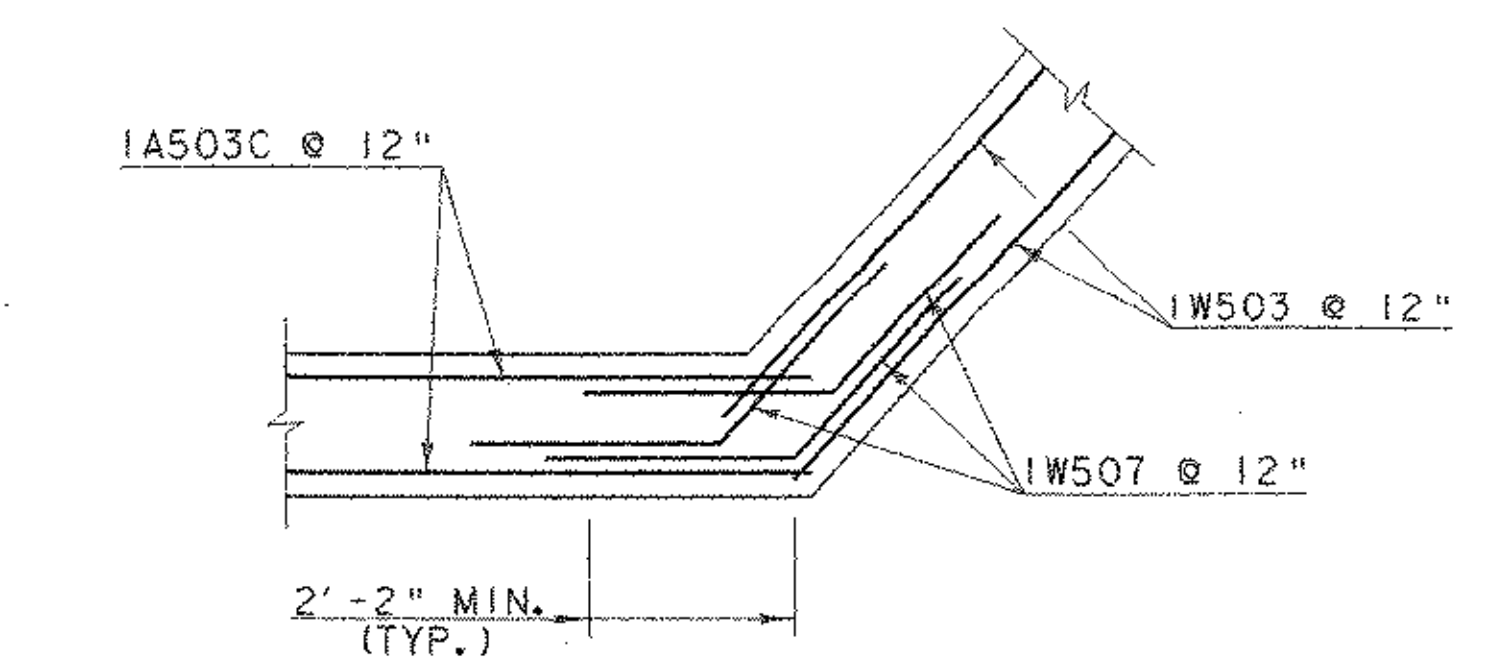
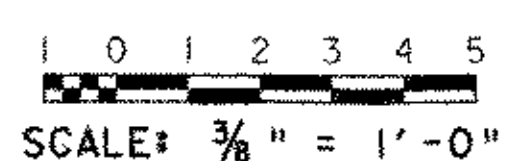


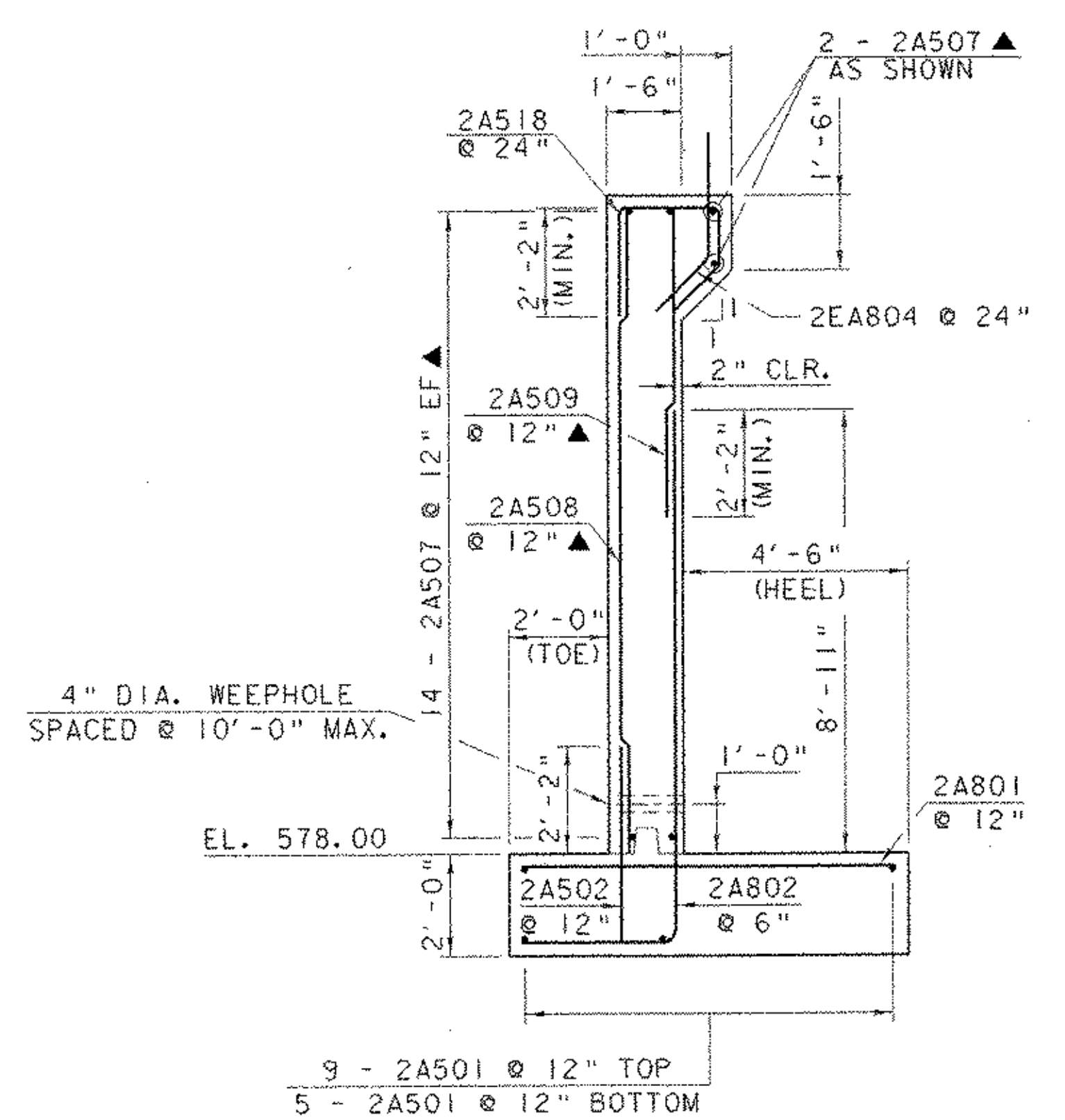
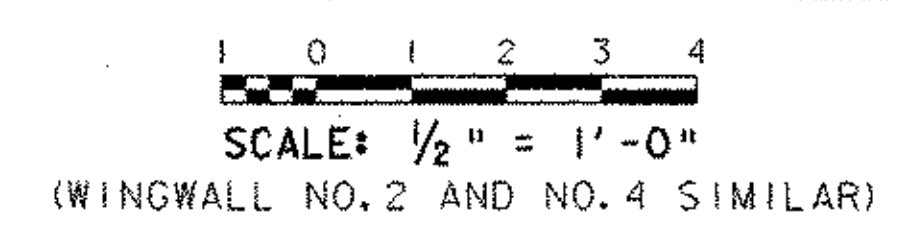
ABUTMENT NO. 1A TYPICAL



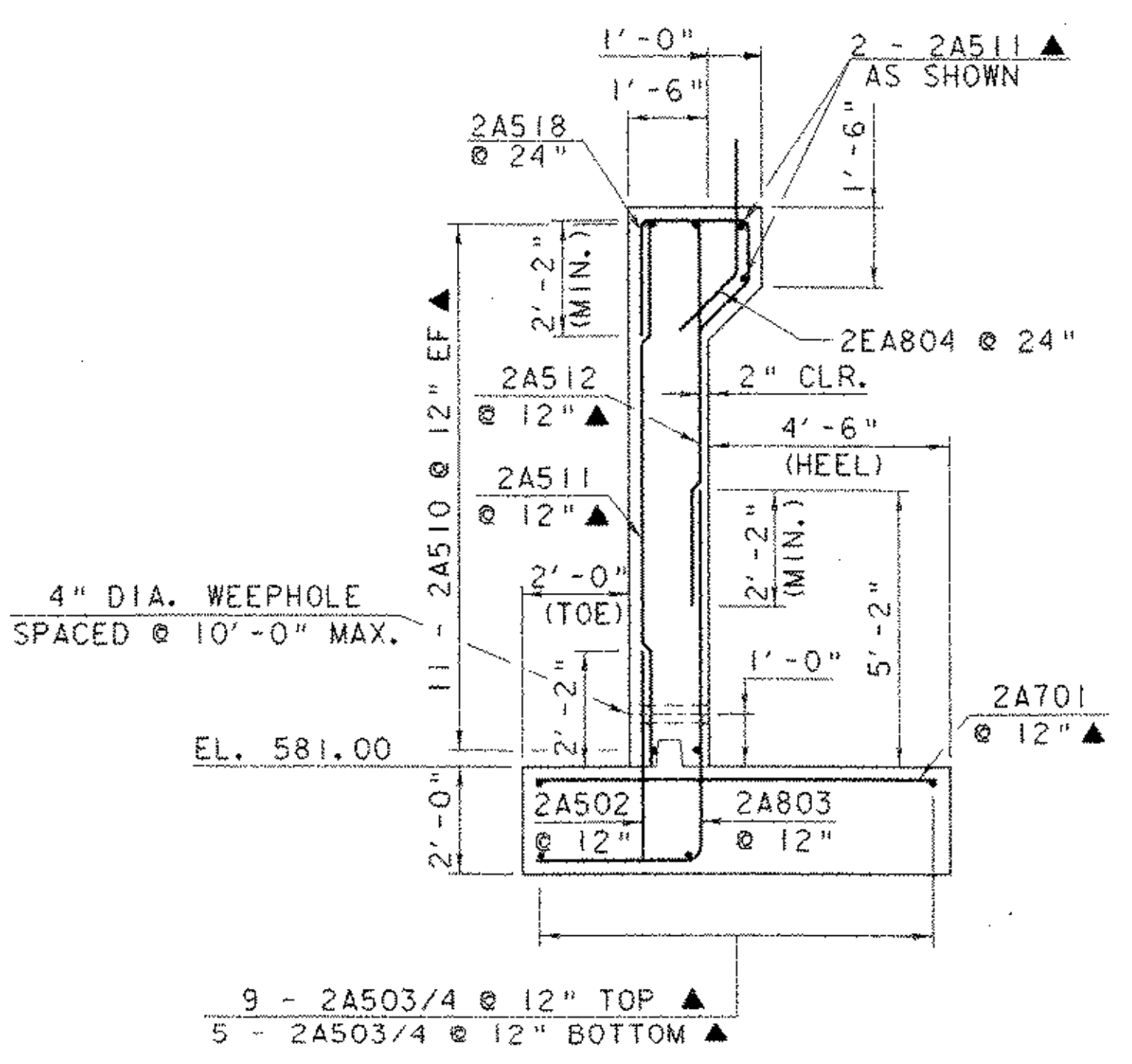
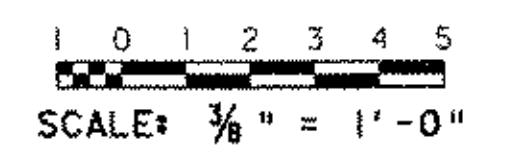
ABUTMENT NO. 1B TYPICAL



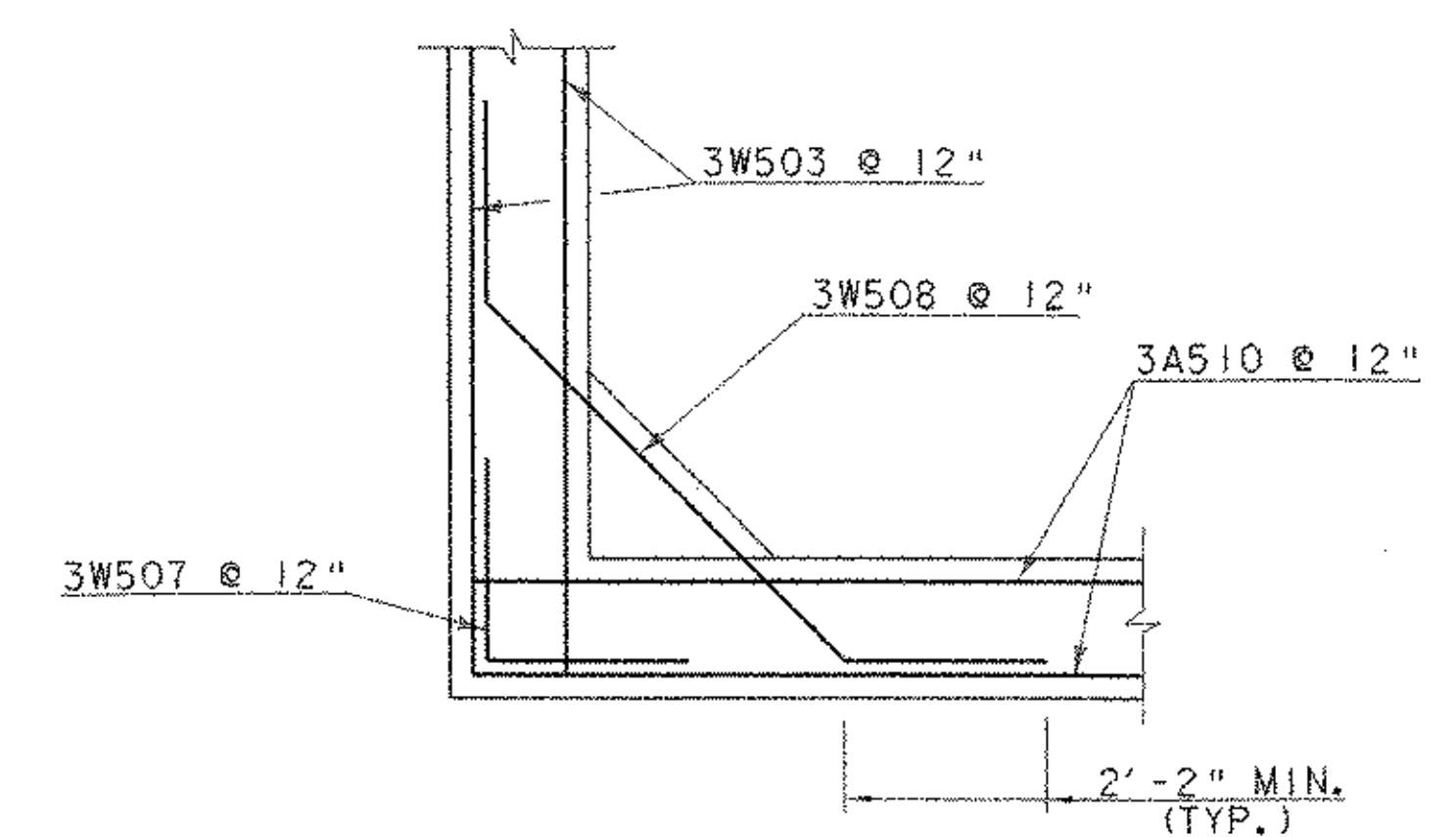
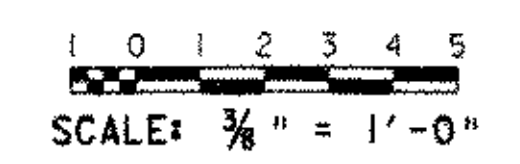
WINGWALL NO. 1
CORNER REINFORCING DETAIL



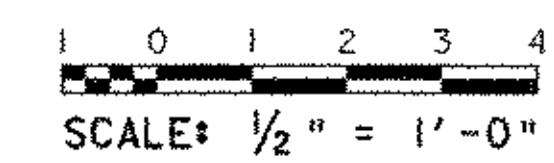
ABUTMENT NO. 2A TYPICAL



ABUTMENT NO. 2B TYPICAL



WINGWALL NO. 3
CORNER REINFORCING DETAIL



NOTE:
 NF = NEAR FACE
 FF = FAR FACE
 EF = EACH FACE
 ▲ = CUT TO FIT IN FIELD
 3" CLR. UNLESS OTHERWISE NOTED

ABUTMENT TYPICAL SECTIONS

PROJECT NAME: ROCKINGHAM	PLOT DATE: 20-MAR-2003
PROJECT NUMBER: TH2 - 9103	DRAWN BY: L. BULLOCK
FILE NAME: 90c053\structures\sc053abt.j	CHECKED BY: G. ROY
PROJECT MANAGER: R. R. WHITCOMB	DESIGNED BY: G. ROY
DESIGNED BY: G. ROY	SHEET 25 OF 38