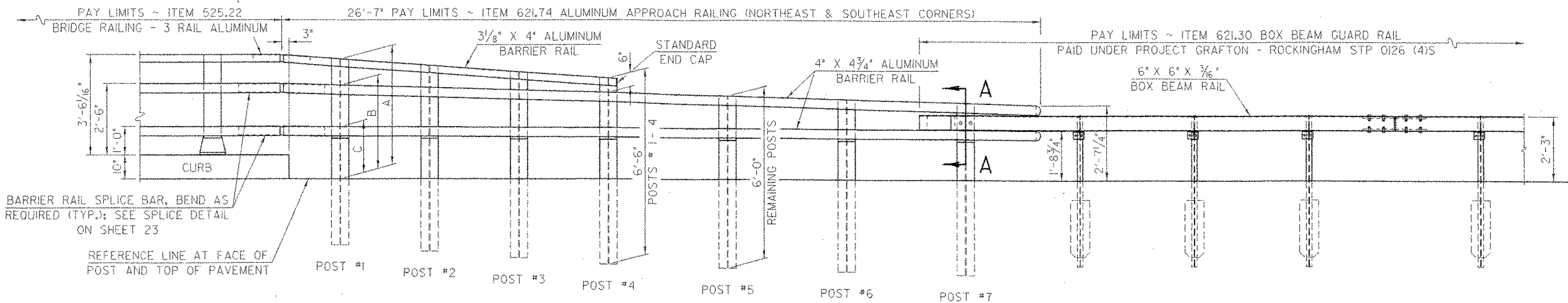


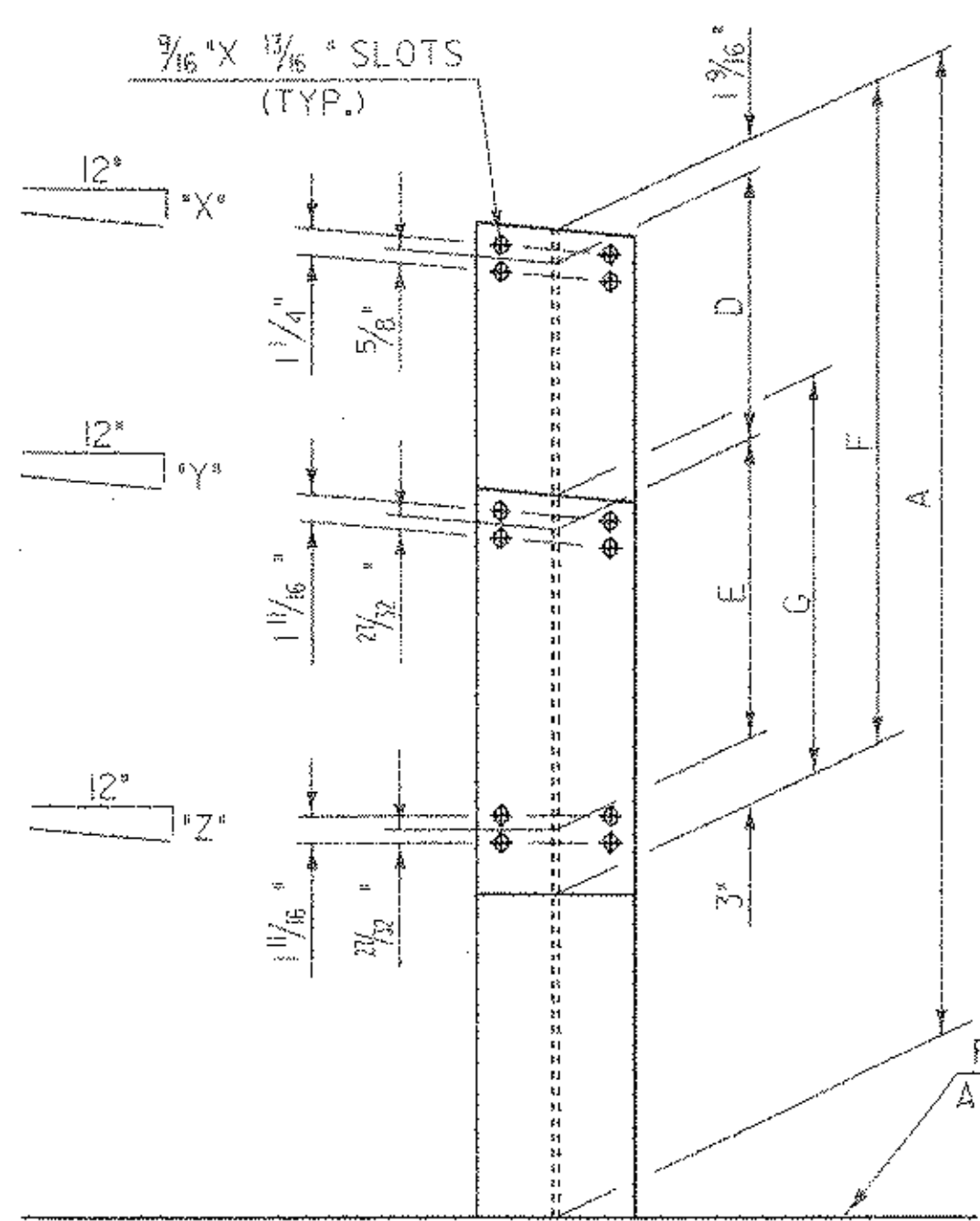
PLAN

HAND RAIL SPLICE BAR, BEND AS REQUIRED  
SEE SPLICE DETAIL ON SHEET 22



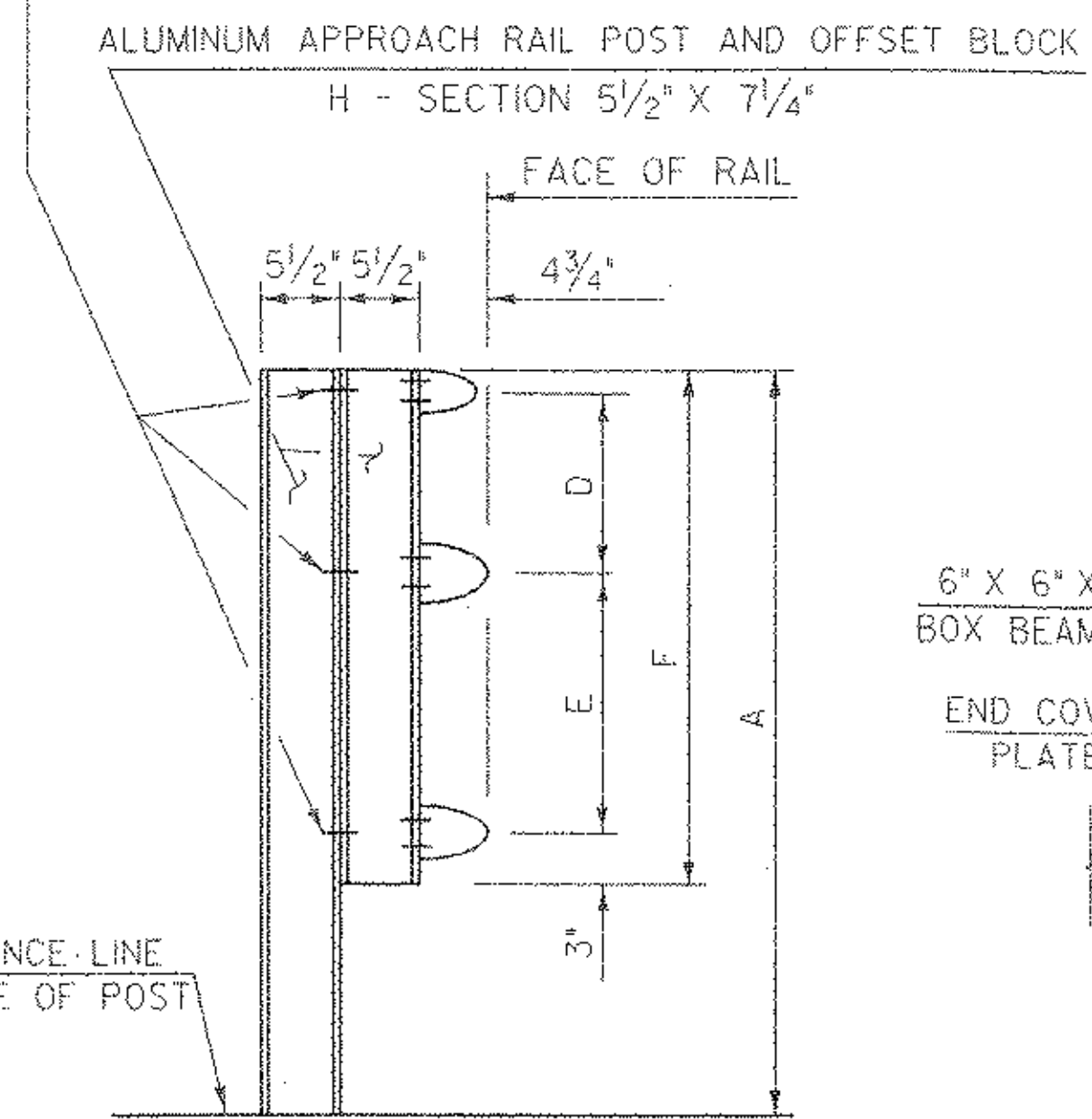
ELEVATION

*X*	7/8"
*Y*	5/16"
*Z*	1/16"



FRONT ELEVATION

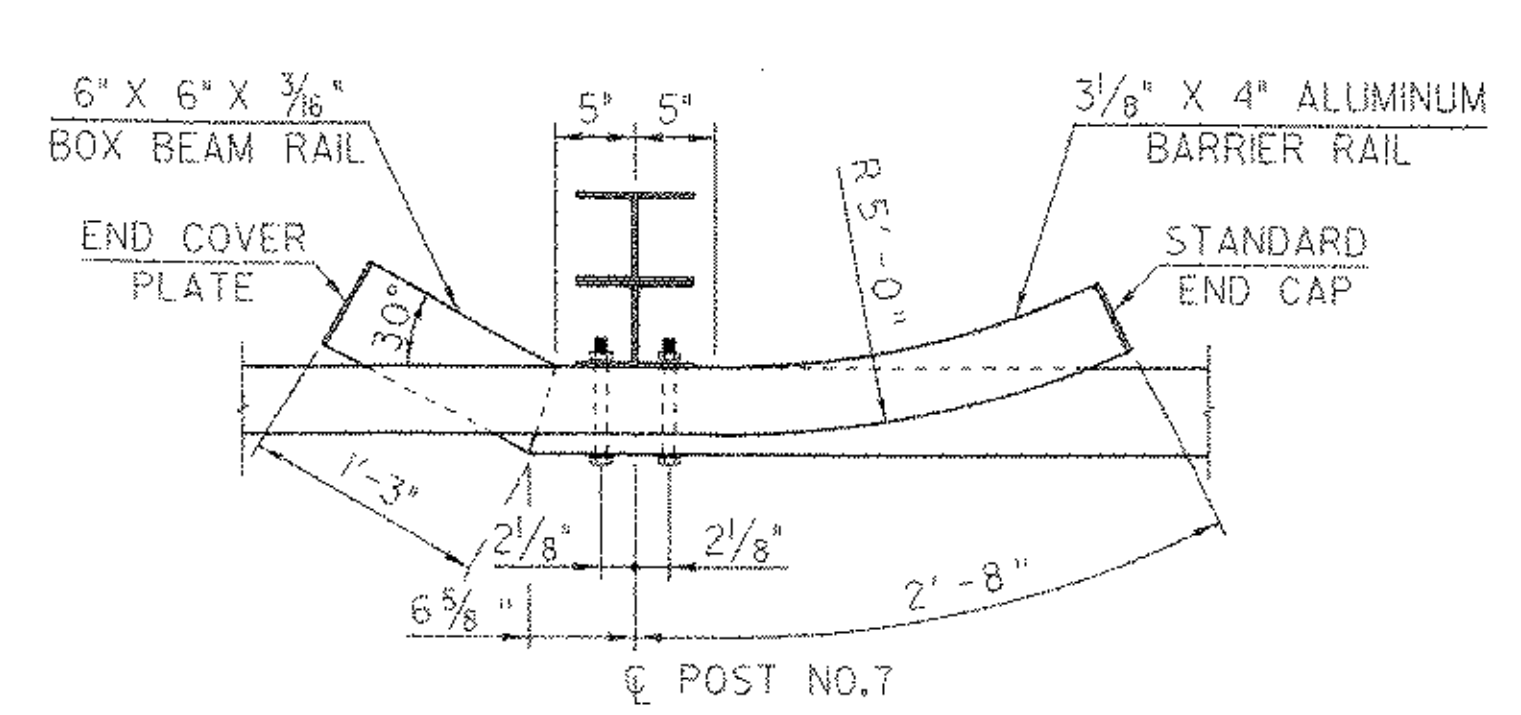
ATTACH OFFSET BLOCK TO POST WITH  
1/2" -13 UNC X 1 1/2" LONG STAINLESS STEEL  
HEX HEAD BOLTS, NUTS AND WASHERS.  
6 BOLTS PER POST, POST 1 THRU 4;  
4 BOLTS PER POST, POST 5 THRU 7.



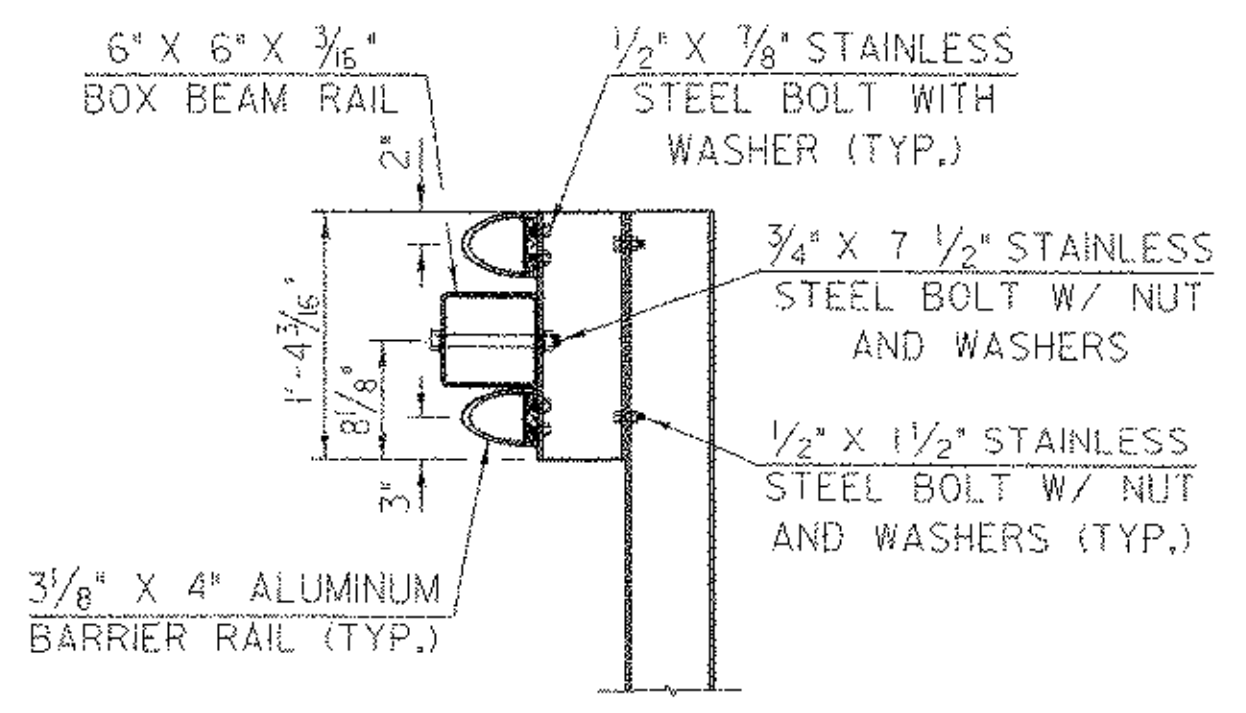
SIDE ELEVATION

ALUMINUM APPROACH RAIL DIMENSIONS AT WINGWALLS NO. 3 & 4

POST NO.	RAIL HEIGHT DIMENSIONS			OFFSET BLOCK DIMENSIONS			
	A	B	C	D	E	F	G
1	4'-2 3/16"	3'-3 3/16"	1'-9 1/8"	11 1/16"	1'-5 1/16"	2'-9 3/8"	
2	3'-11 5/16"	3'-2 9/16"	1'-9 3/4"	9 3/4"	1'-4 9/16"	2'-6 1/16"	
3	3'-8 5/16"	3'-1 1/4"	1'-9 5/8"	8 1/8"	1'-3 5/8"	2'-4 5/16"	
4	3'-6 3/16"	3'-0 3/16"	1'-9 1/16"	6 1/16"	1'-2 3/4"	2'-1 3/4"	
5		2'-10 3/16"	1'-9 1/4"		1'-1 1/16"		1'-6 3/16"
6		2'-9 1/16"	1'-9 1/16"		1'-0 3/8"		1'-5 3/8"
7		2'-8 1/16"	1'-8 7/8"		11 1/16"		1'-4 3/16"



DETAIL "A"



SECTION "A-A"

NOTES

1. POST 1 THROUGH 7 SHALL BE EXTRUDED ALUMINUM.
2. ALL STRUCTURAL STEEL SHALL BE AASHTO M270 GRADE 36 GALVANIZED AFTER FABRICATION.
3. ALL ITEMS NOT OTHERWISE INDICATED SHALL MEET THE SPECIFICATION REQUIREMENTS OF THE STANDARD SHEETS ON WHICH THEY ARE DETAILED.
4. SEE STANDARD G-1b FOR BOX BEAM DETAIL. SEE SHEETS 21 AND 22 FOR ALUMINUM BRIDGE RAILING DETAILS.
5. DETAILS ARE SHOWN FOR TRANSITION TO A 3 RAIL ALUMINUM BRIDGE RAILING.
6. DIMENSIONS SHOWN ARE FROM A REFERENCE LINE AT THE FACE OF POST FOR A NORMAL CROWNED SECTION. APPROPRIATE CORRECTIONS SHALL BE MADE FOR CROSS SLOPES OTHER THAN A NORMAL SECTION.

ALUMINUM BRIDGE RAIL DETAILS (4)

PROJECT NAME: ROCKINGHAM  
PROJECT NUMBER: TH2 - 9103  
FILE NAME: 90c053\structures\sc053r04.1 PLOT DATE: 20-MAR-2003  
PROJECT MANAGER: R. R. WHITCOMB DRAWN BY: VAOT  
DESIGNED BY: G. ROY CHECKED BY: R. WHITCOMB  
SHEET (24) OF 38