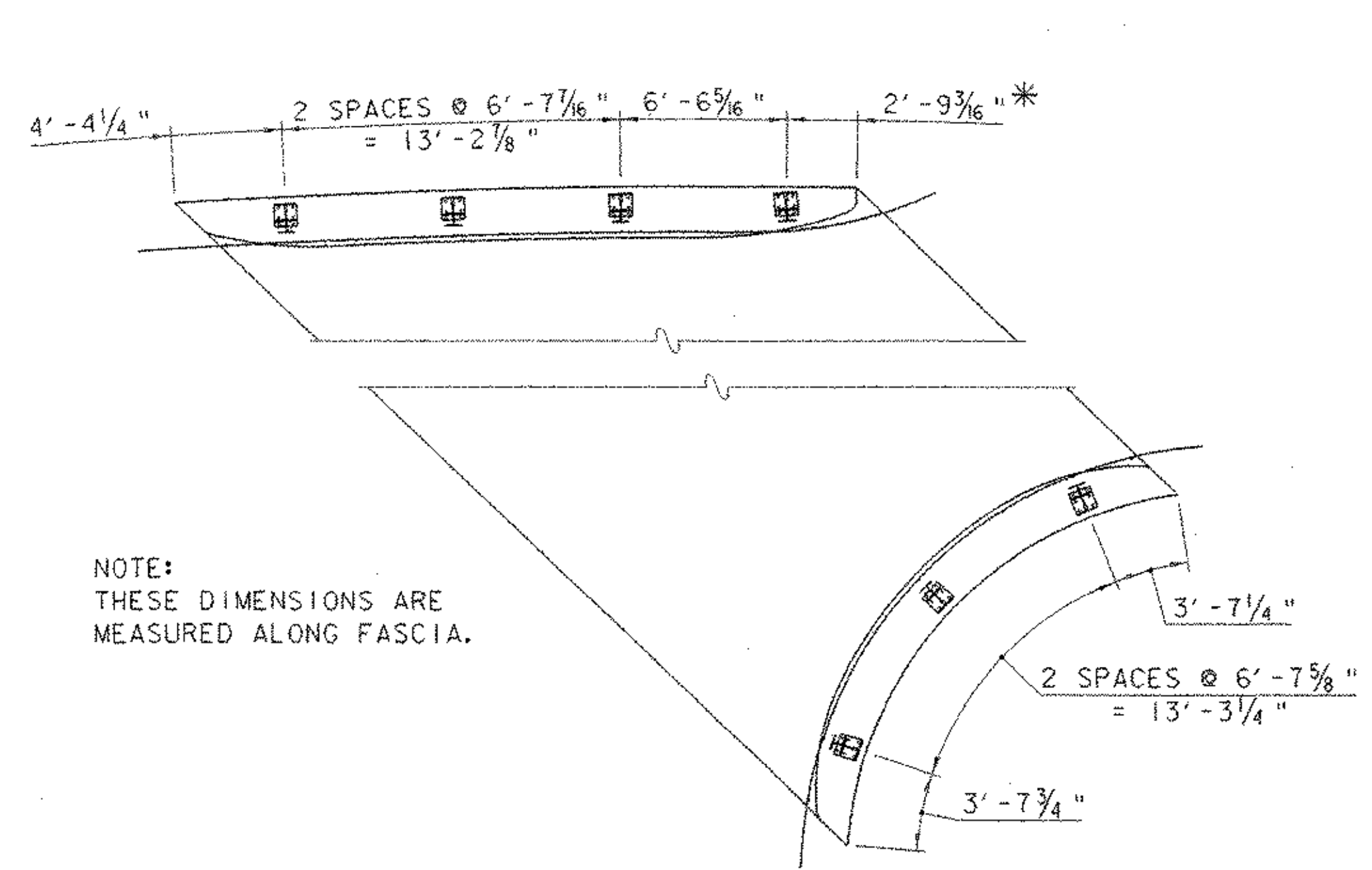
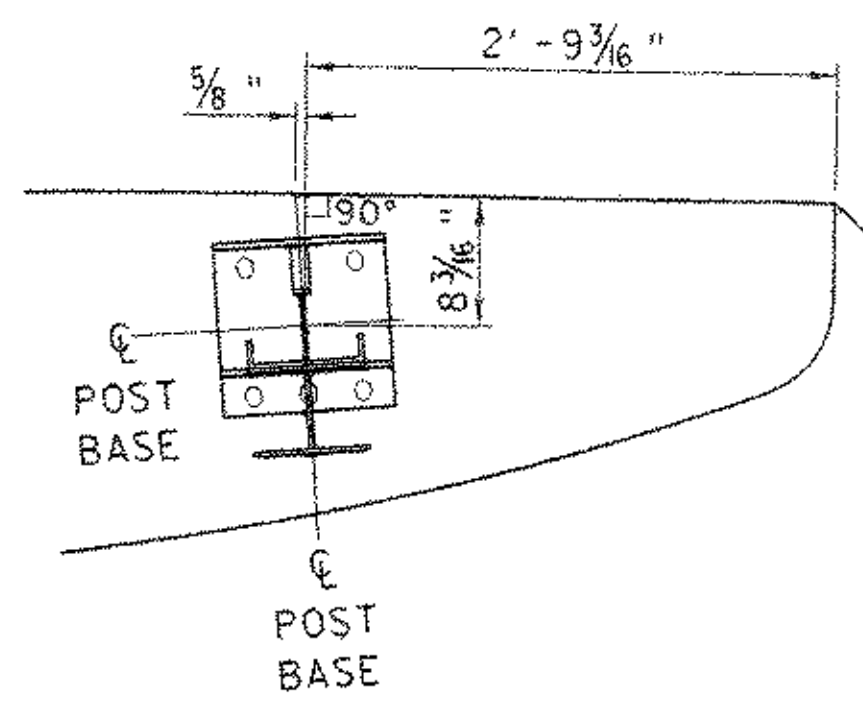


NOTE:  
THESE DIMENSIONS ARE MEASURED  
ALONG FACE OF RAIL.

\* SEE DETAIL "A"



NOTE:  
THESE DIMENSIONS ARE  
MEASURED ALONG FASCIA.



DETAIL "A"  
SCALE: 1" = 1'-0"

SCALE: 1" = 5'-0"

BRIDGE RAIL AND  
APPROACH RAIL LAYOUT

PROJECT NAME: ROCKINGHAM	PROJECT NUMBER: TH2 - 9103
FILE NAME: 90c053\structures\sc053rail.l	PLOT DATE: 20-MAR-2003
PROJECT MANAGER: R. R. WHITCOMB	DRAWN BY: G. ROY
DESIGNED BY: G. ROY	CHECKED BY: R. WHITCOMB
	SHEET 20 OF 38