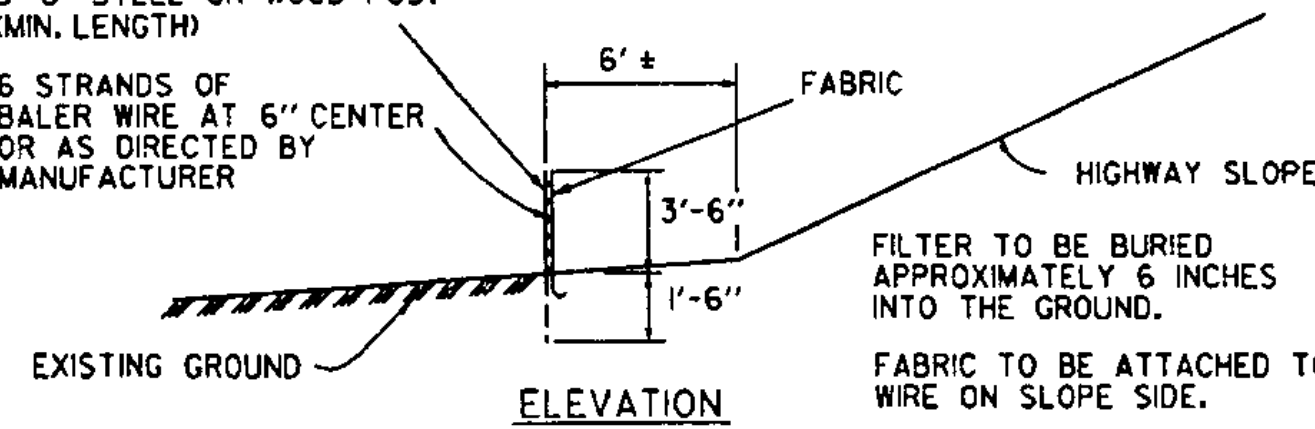
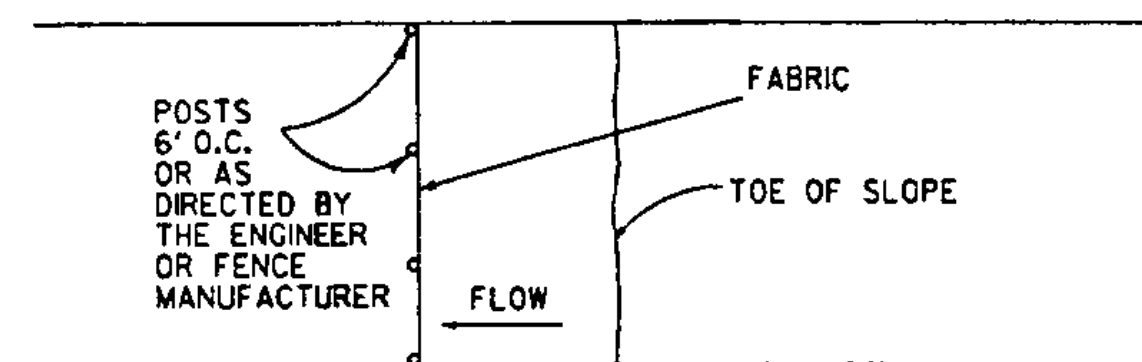


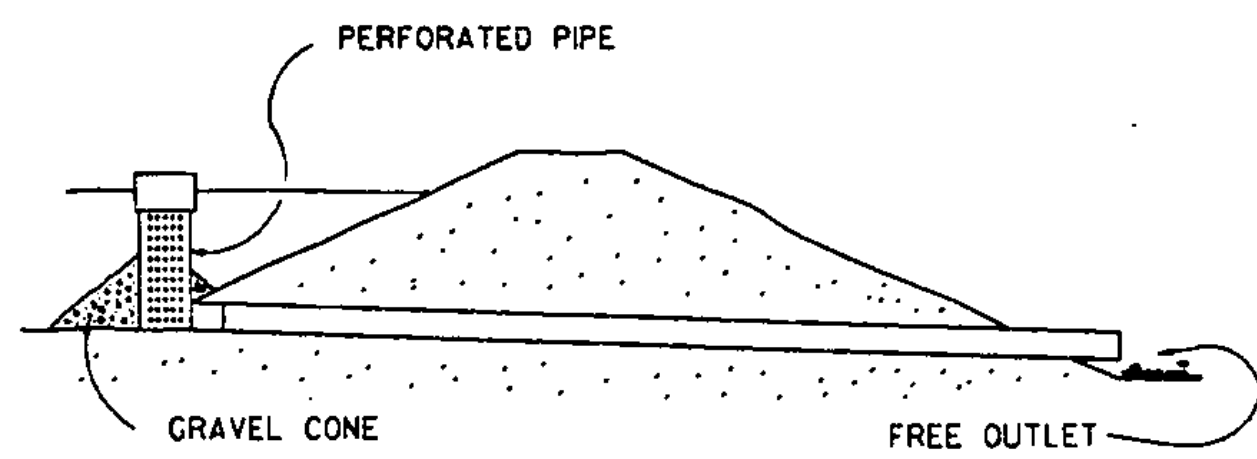
SILT FENCE WITH 5'-0" STEEL OR WOOD POST (MIN. LENGTH)
6 STRANDS OF BALER WIRE AT 6" CENTER OR AS DIRECTED BY MANUFACTURER



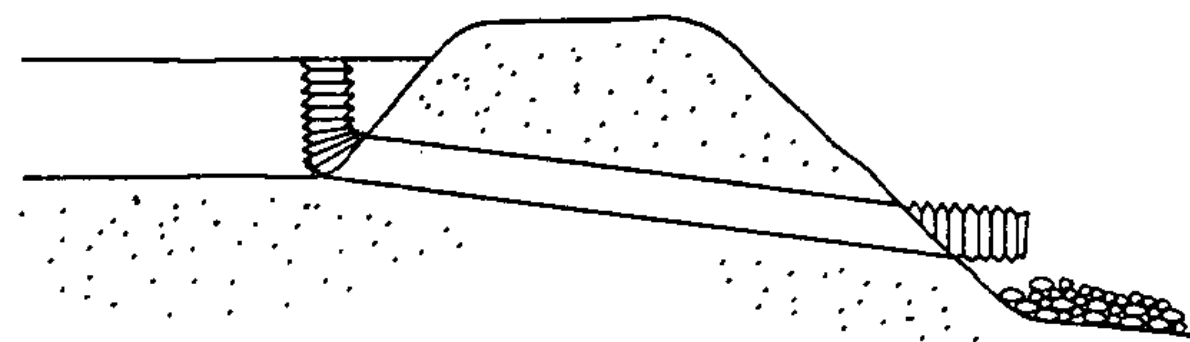
FILTER TO BE BURIED APPROXIMATELY 6 INCHES INTO THE GROUND.
FABRIC TO BE ATTACHED TO WIRE ON SLOPE SIDE.
CONTRACTOR WILL FURNISH COMMERCIALY AVAILABLE SILT FENCE THAT MEETS VAOT SPECIFICATIONS.



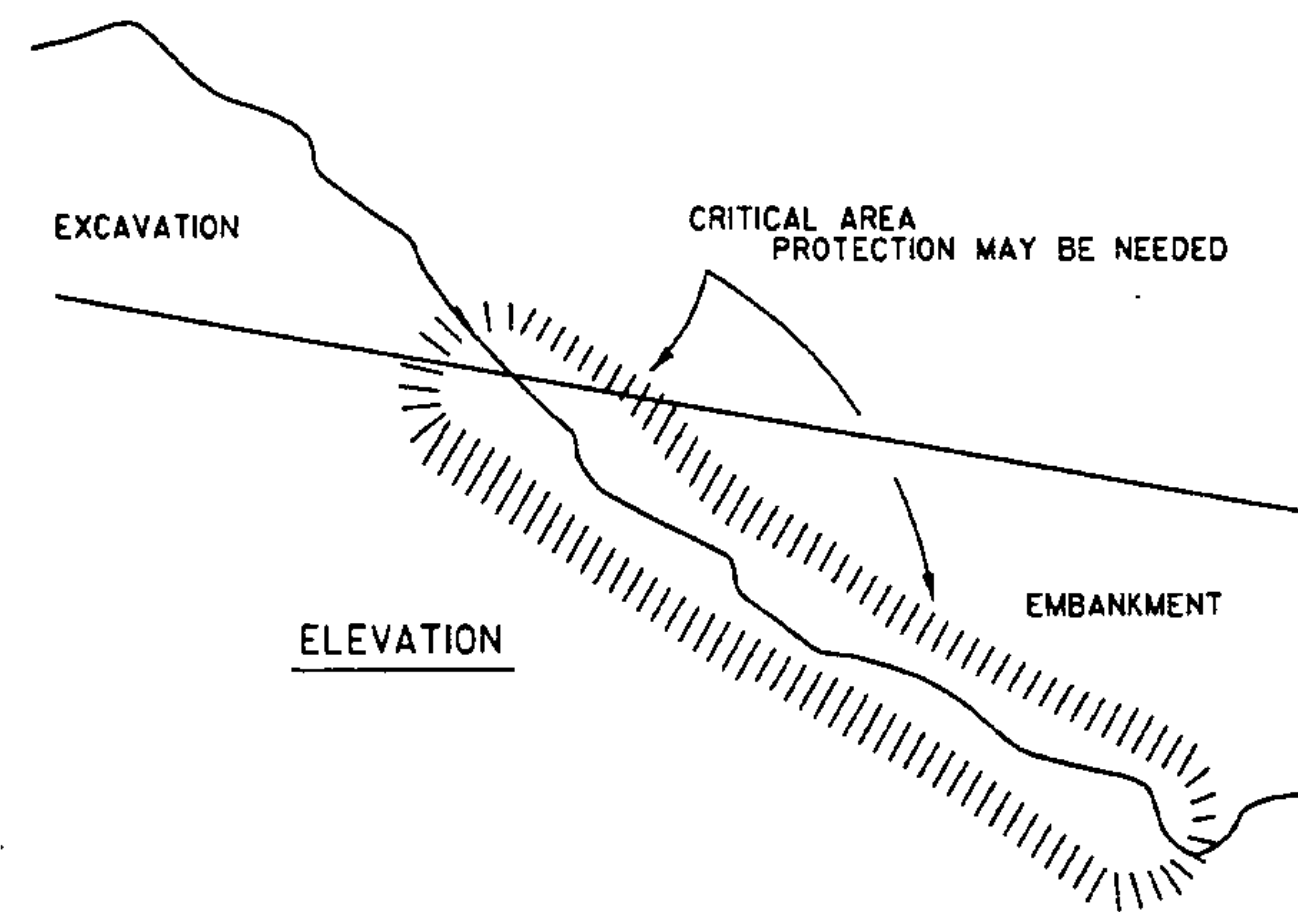
PLAN
SILT FENCE



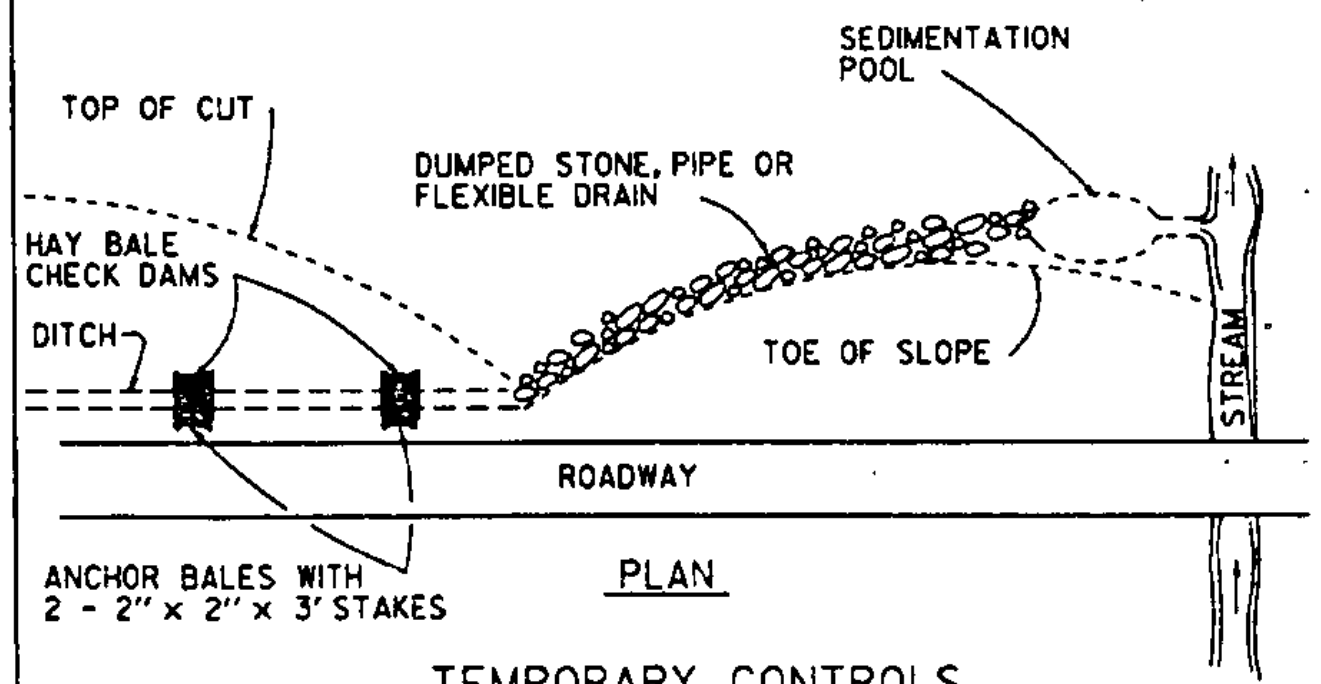
LARGE - PERMANENT INSTALLATION
PIPE RISER - STONE OUTLET



SMALL - TEMPORARY INSTALLATION
ACCM PIPE WITH RISER - STONE OUTLET
SEDIMENT DAMS

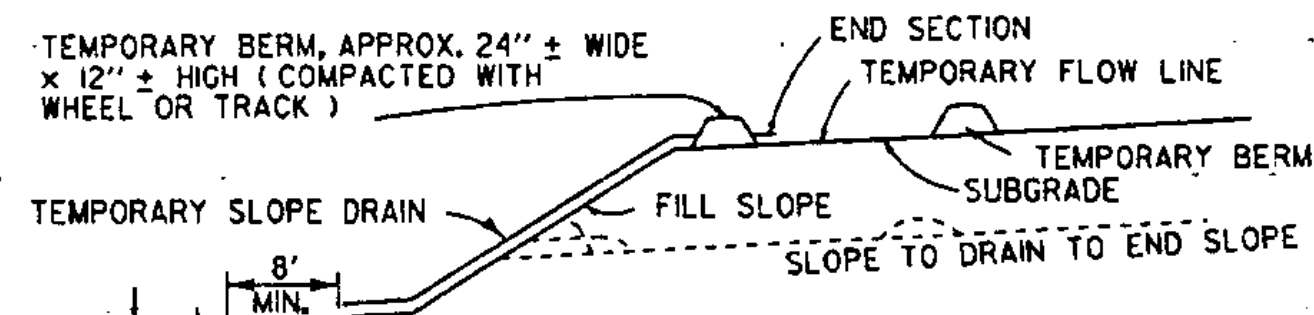
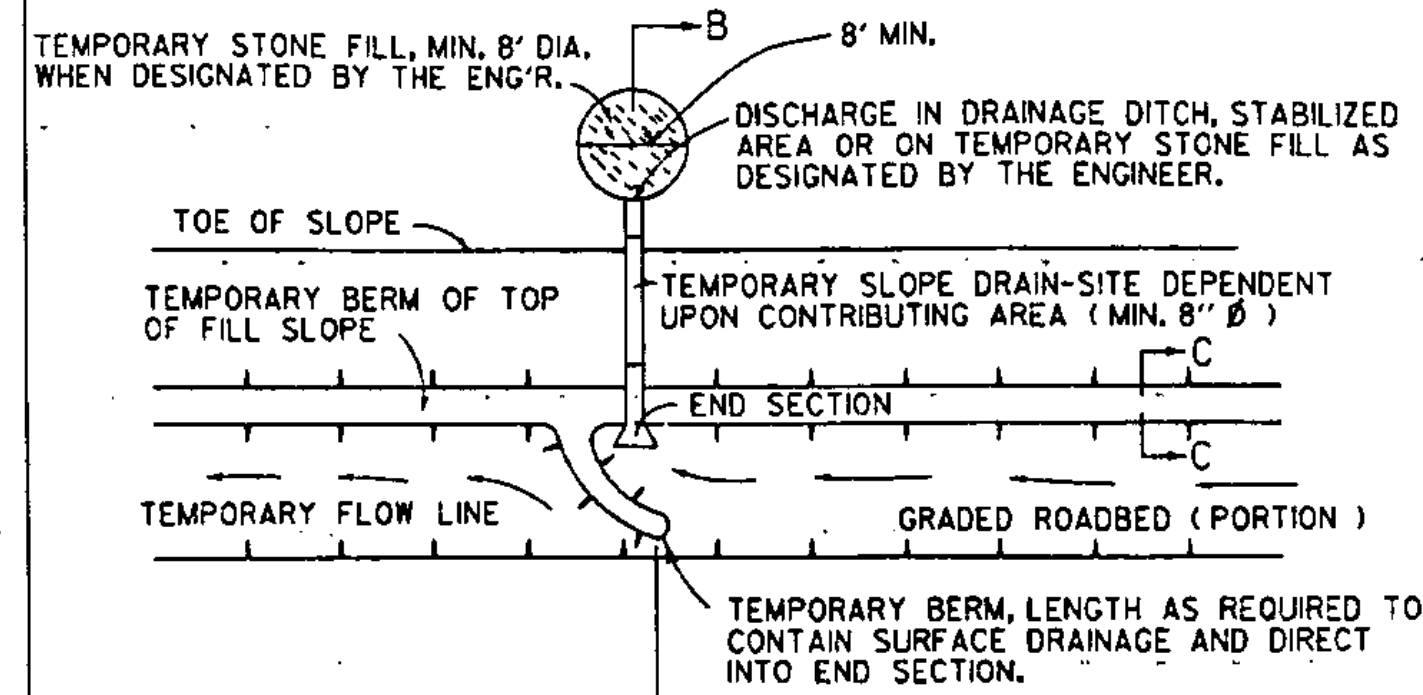


ELEVATION



PLAN

TEMPORARY CONTROLS
CUT TO FILL SLOPE



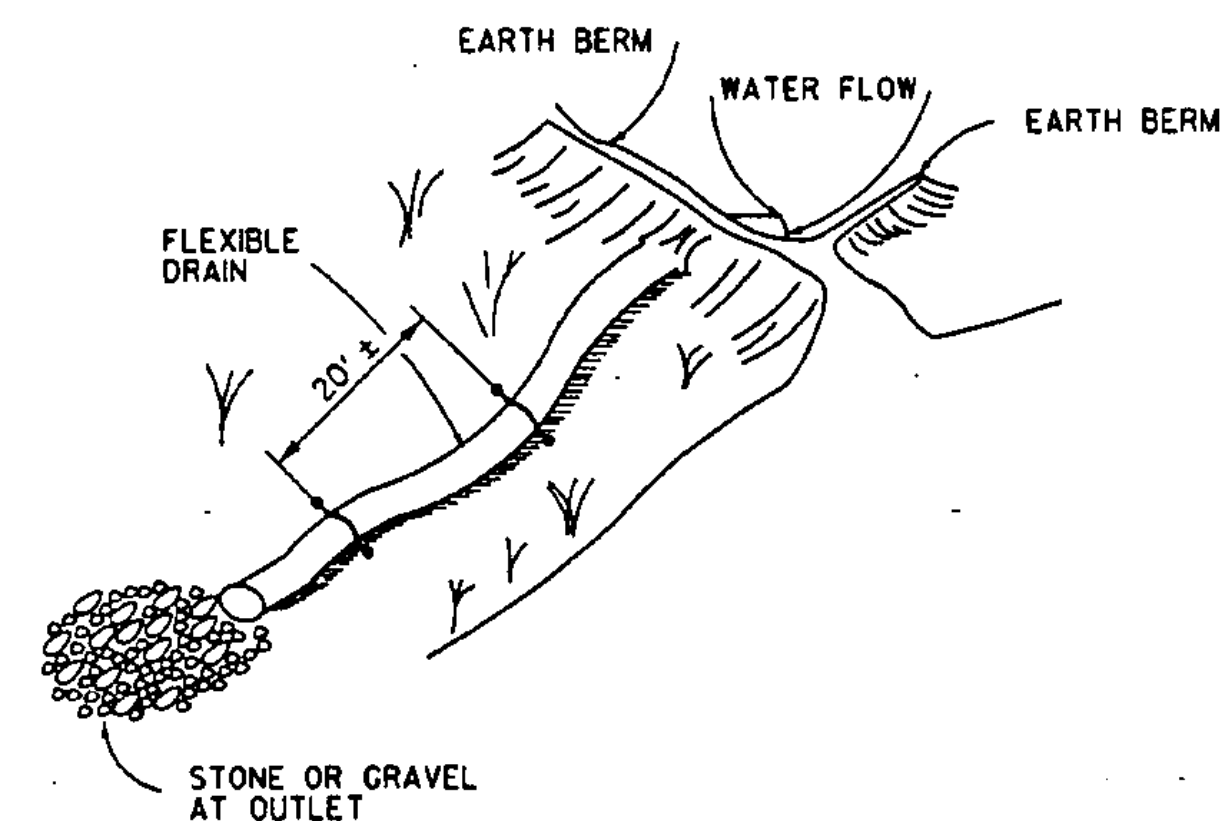
SECTION B-B

SIMILAR PLAN CAN BE CONSTRUCTED IN CONJUNCTION WITH DROP INLET OR CURB DROP INLET.

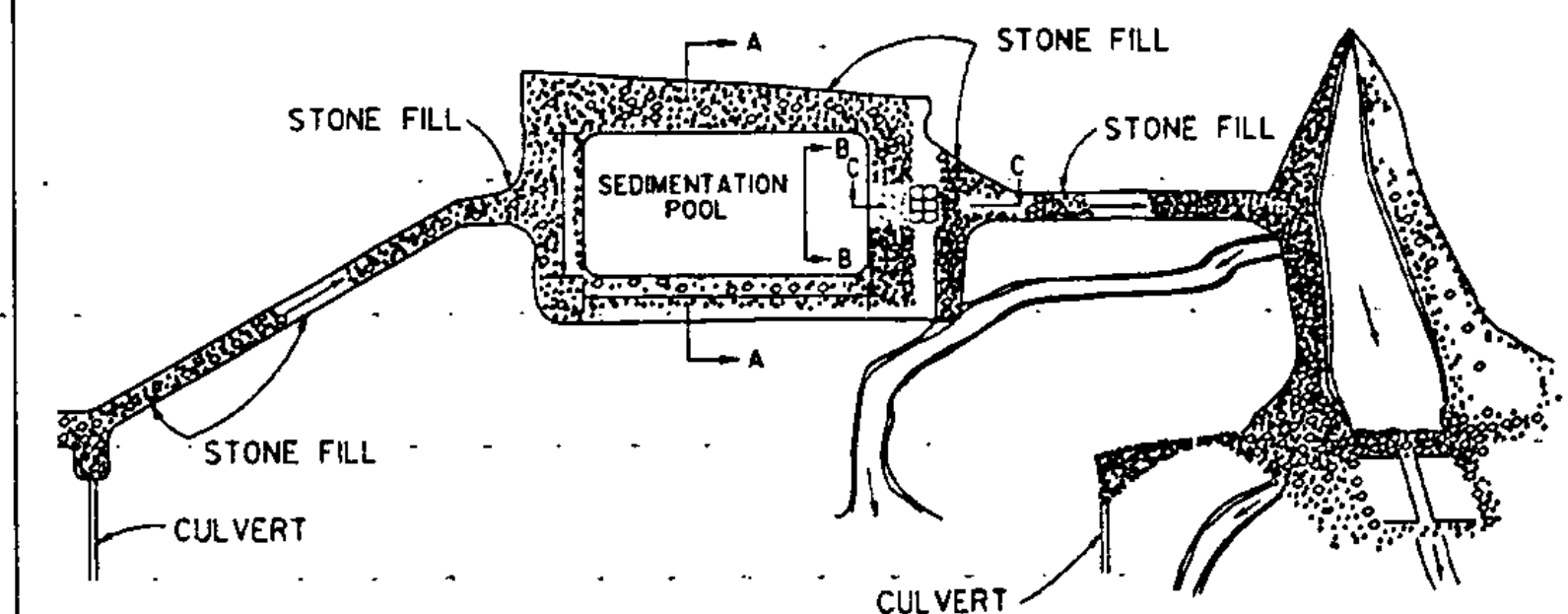


SECTION C-C

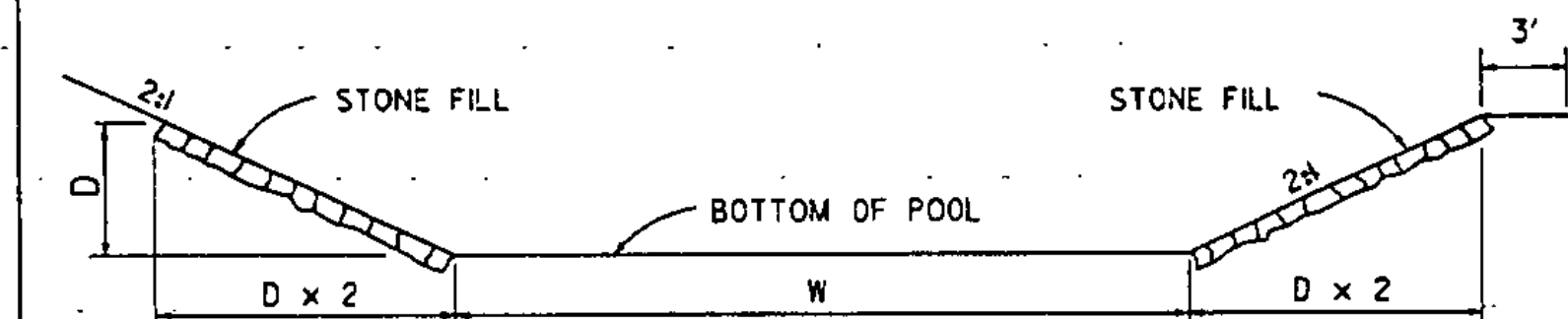
TEMPORARY BERMS AND SLOPE DRAINS
FOR FILL SLOPES



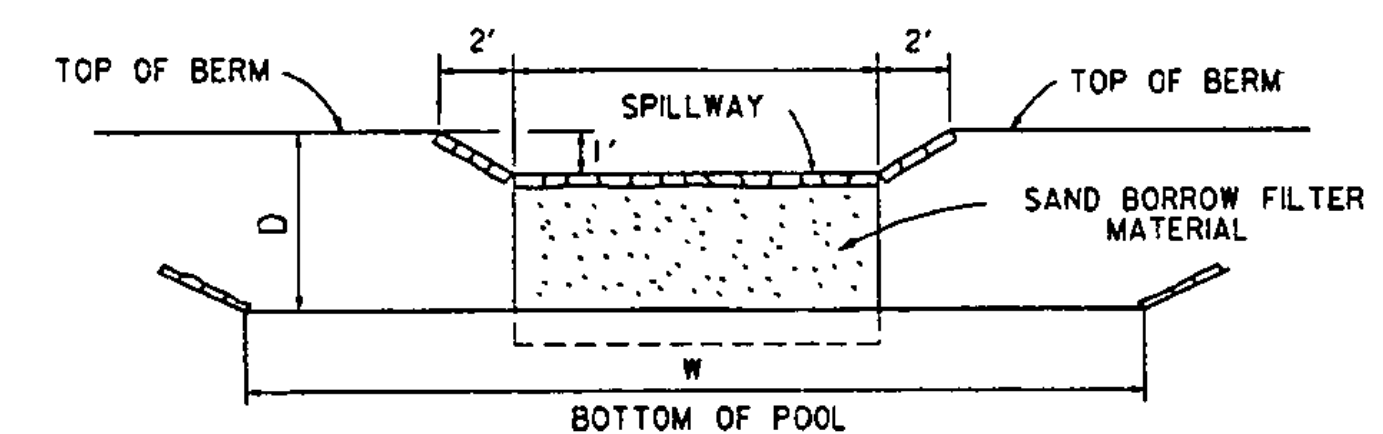
TEMPORARY FLEXIBLE SLOPE DRAIN



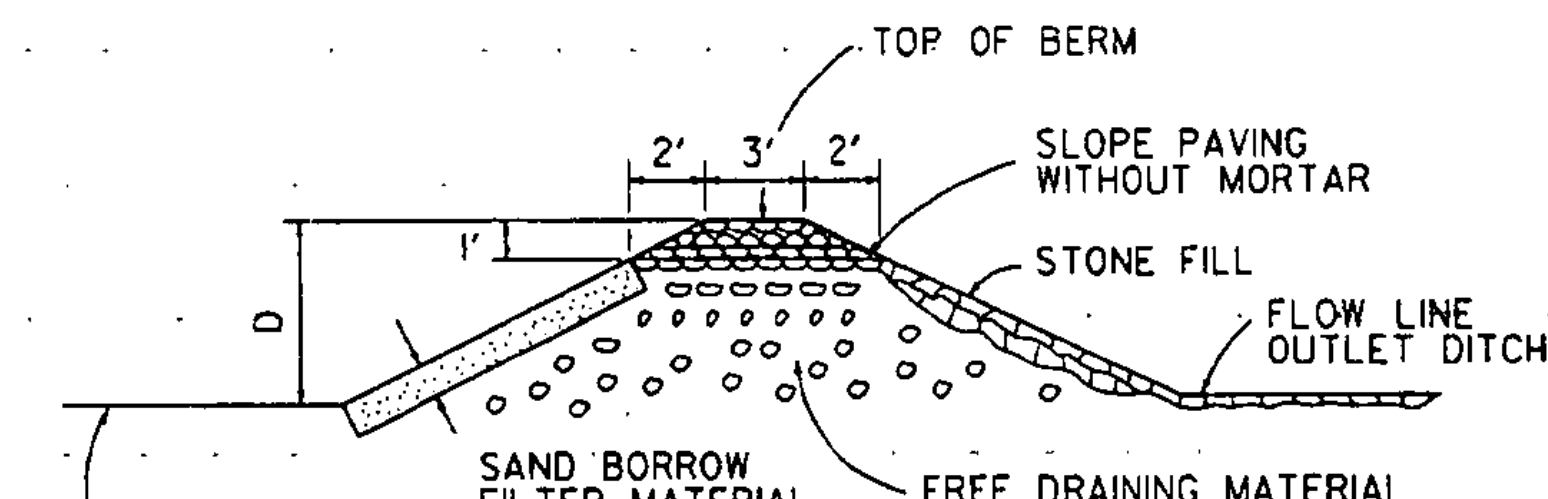
SEDIMENTATION POOL



SECTION A-A



DETAILS OF SPILLWAY TO BE DETERMINED BY HYDRAULIC SECTION.
SECTION B-B



SECTION C-C

REVISIONS AND CORRECTIONS
JUL. 5, 1972 - ORIGINAL APPROVAL
JUN. 14, 1973 - SEDIMENT TRAPS REMOVED FROM TEMPORARY BERMS & SLOPE DRAINS FOR FILL SLOPES
FEB. 26, 1976 - SILT FENCE ADDED
DEC. 7, 1976 - HAY BALE ANCHOR NOTE ADDED
JUN. 1, 1994 - SILT FENCE NOTES AND DIMENSIONS CHANGED

APPROVED
APPROVED FOR THIS PROJECT AND/OR DESIGN IMPLEMENTATION. FHWA FINAL APPROVAL PENDING.
Stephen B. Theobald
DIRECTOR OF ENGINEERING
John M. Murphy
DESIGN ENGINEER

TEMPORARY EROSION CONTROL DETAILS



STANDARD
T-1